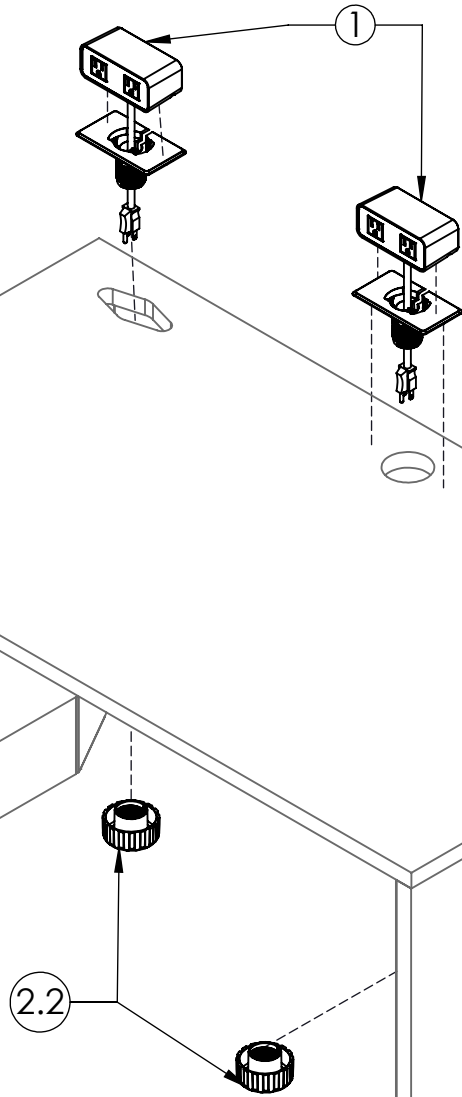
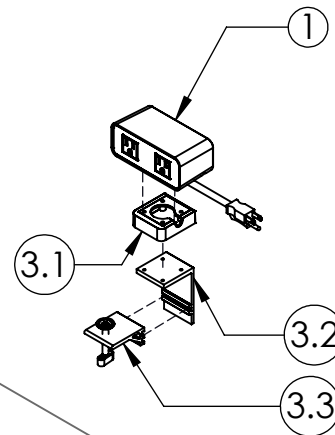


Power Qube (YEPQ)

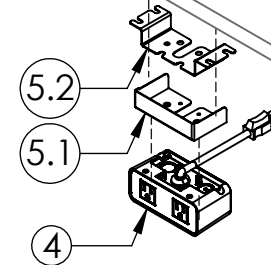
Grommet Mount



Edge Clamp Mount



Underside Mount

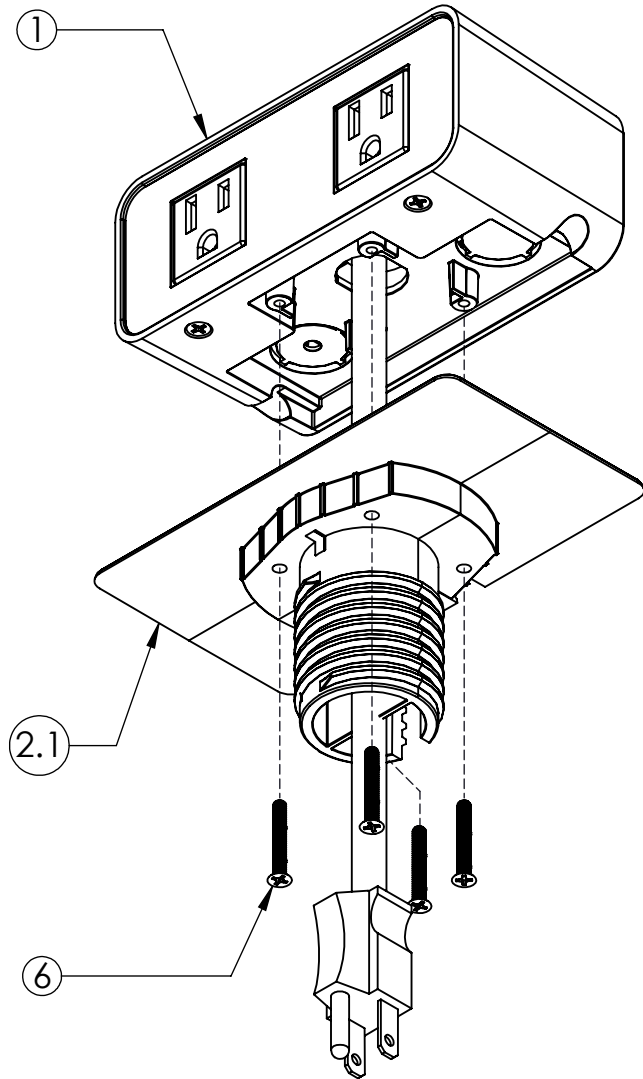


NOTE: For IEC Configurations, the Power Qube can only be connected to the Navigate PB-NAV-N09-8737 Power bar.

Part & Product Identification

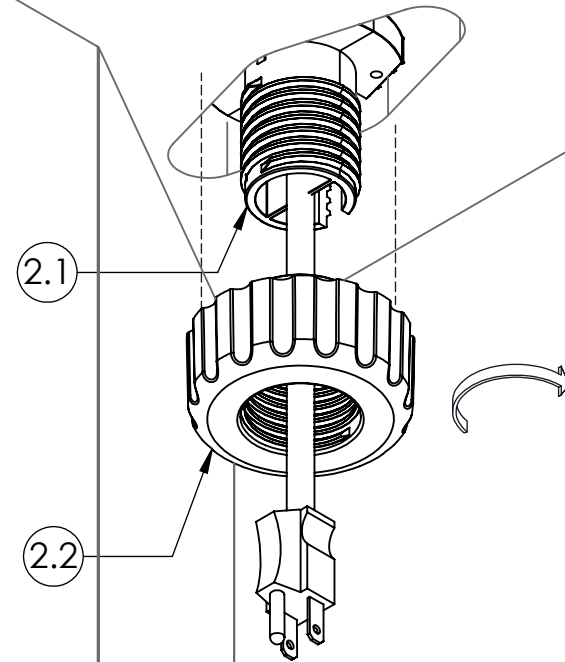
ITEM NO.	PREVIEW	DESCRIPTION	PART NUMBER	QTY.	ITEM NO.	PREVIEW	DESCRIPTION	PART NUMBER	QTY.
1		Power Qube (Grommet Mount, Edge Clamp Mount)	YEPQ_G, YEPQ_E	1	4		Power Qube (Underside Mount)	YEPQ_U	1
2. Grommet Mount x1					5. Underside Mount x1				
2.1		DIAMOND HOLE-GROMMET MOUNT	MPA25-E174	1	5.1		Support Power Cube	MPA15-E866	1
2.2		Knob	PB02-E125	1	5.2		Support Surface Power Cube	MPA15-E865	1
3. Edge Clamp Mount x1									
3.1		POWER CUBE-EDGE MOUNT ADAPTOR	MPA25-E173	1	5.3		Thumb Screw	FS1-4x3/8 Thumb Screw	2
3.2		CLAMP	AEA23-E097-04	1	5.4		WOOD SCREW, #12 X 3/4", PAN HD, PHILLIPS	CR-PHMS 0.216-24x0.75x0.75-N	4
3.3		CLAMP ASSEMBLY UNIVERSAL	MPN10-E007	1	6		M3.5 x 0.6 mm Thread, 25 mm Long	91420A192	4

ASSEMBLE POWER CUBE & HOLE COVER



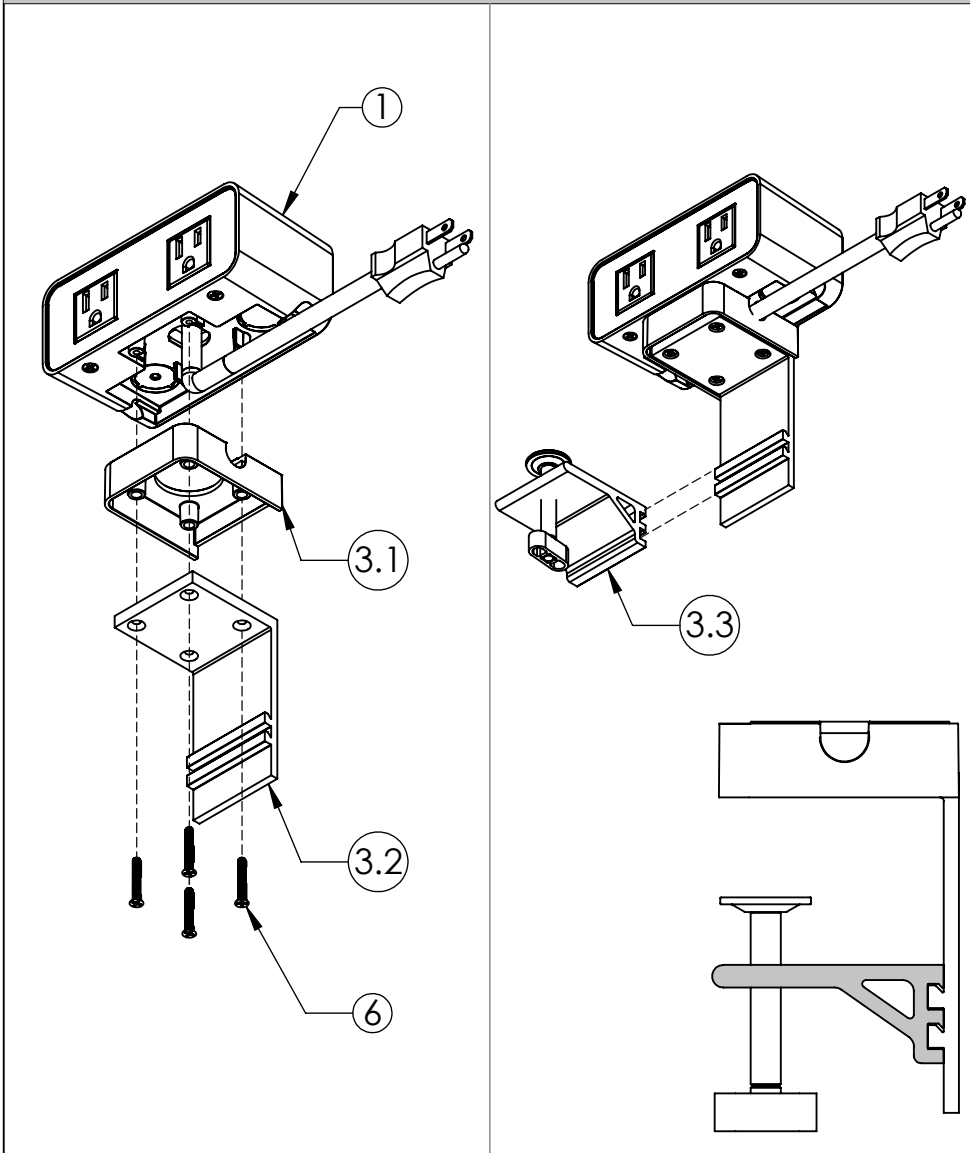
STEP 1a: Assemble the Power Cube and Grommet/Diamond Hole Cover using the Screws provided.

SECURE POWER CUBE TO WORKSURFACE



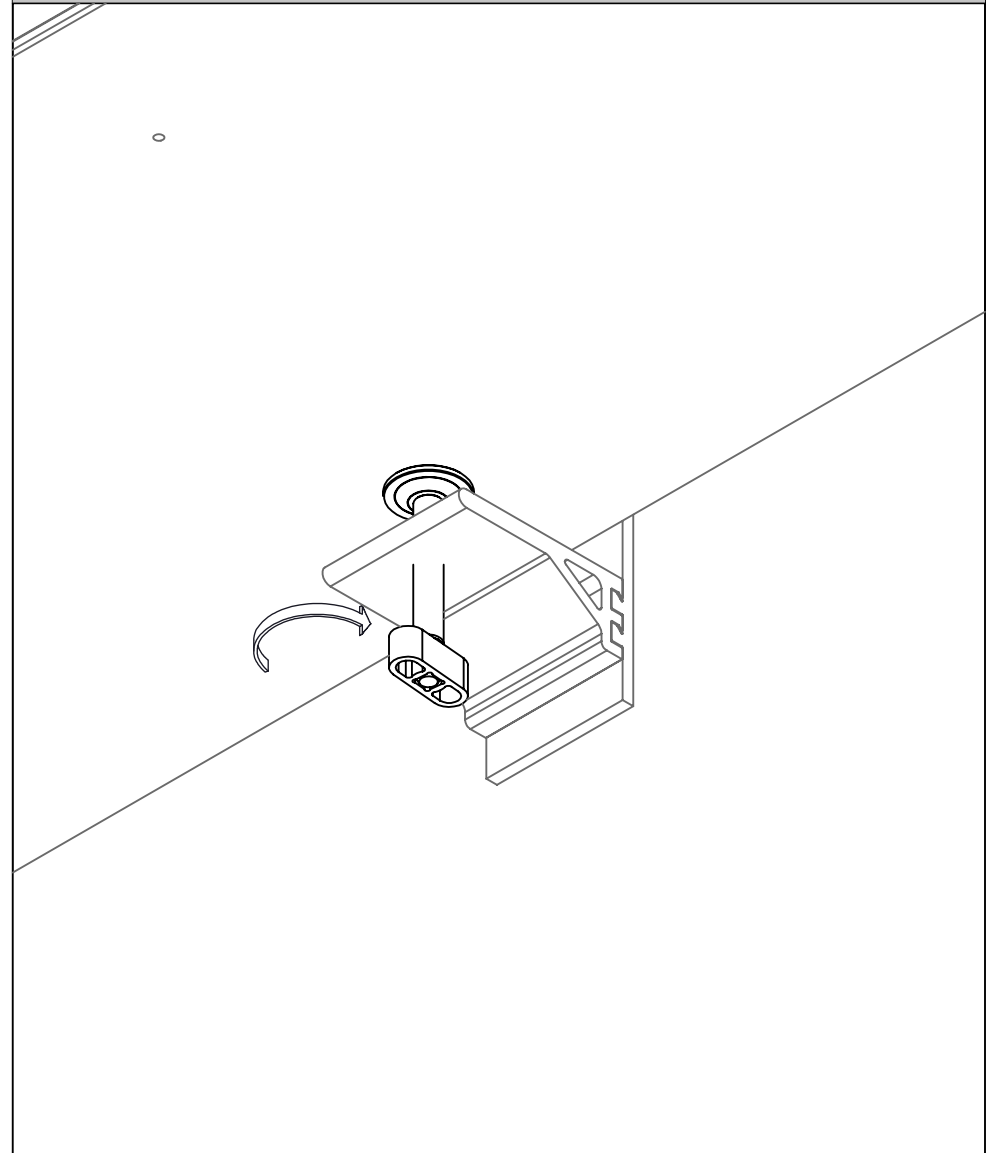
STEP 2a: Secure the Power Cube to the Worksurface by tightening Knob.
NOTE: This procedure is identical for both Grommet and Diamond cut outs.

ASSEMBLE POWER QUBE EDGE CLAMP



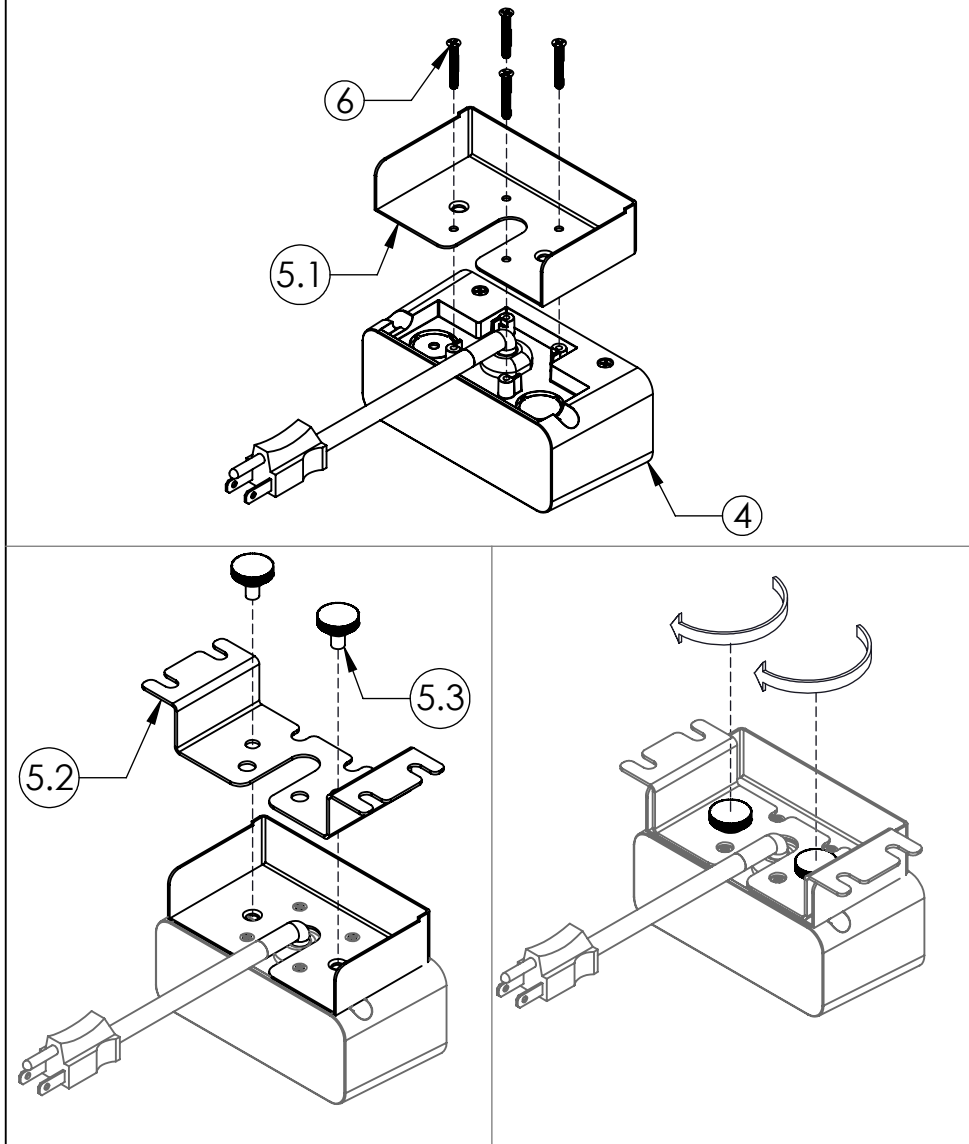
STEP 1b: Assemble the Clamp Body to the Power Cube using the Screws provided. Slide the Clamp Jaw into place.

FASTEN POWER QUBE TO WORKSURFACE



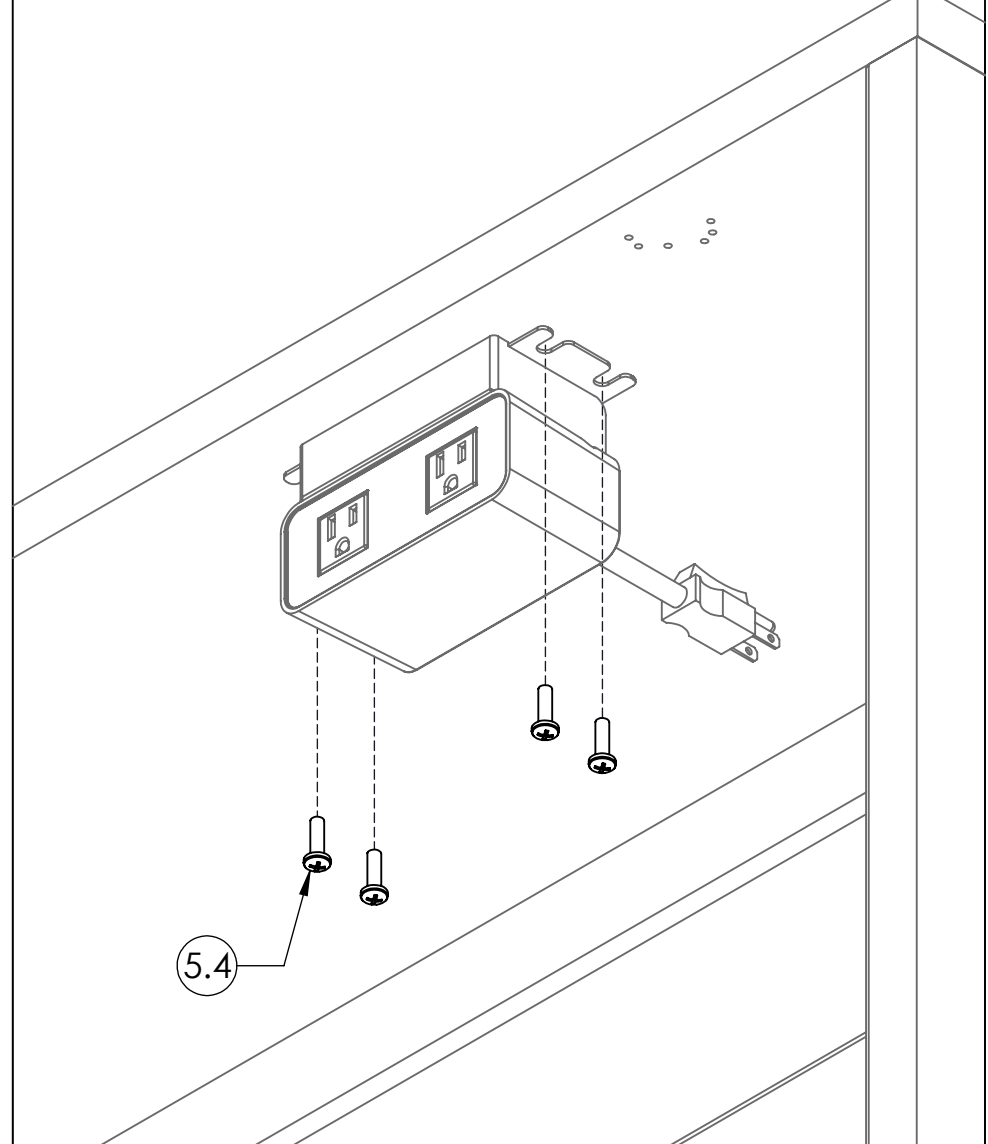
STEP 2b: Install Clamp to rear of worksurface. Tighten Knob to secure in place.

ASSEMBLE UNDERSIDE SUPPORT



STEP 1c: Assemble the Underside Support by fastening with the Screws provided. Tighten the Knobs to attach the two Support Plates.

ATTACH TO THE WORKSURFACE



STEP 2c: Attach the Power Qube to the bottom of the Worksurface using the Screws Provided.