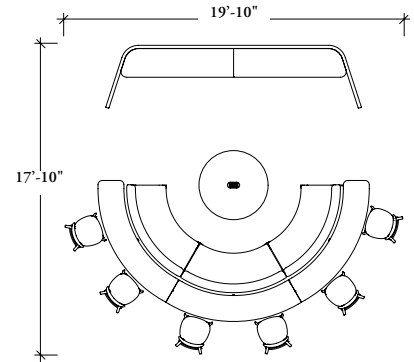


modular seating planning possibility

- Create Digital Collaboration zones for presentations, training and team meetings
- Add Ledge Tables and Side Stools behind the Modular Seating Layout to increase capacity at a higher sight line than the users in front of them
- Zones Screens also help to define the architectural space

layout 05: C-shape



Dual Upholstery Shown

QUANTITY	COMPONENTS	DESCRIPTION	SINGLE UPHOLSTERY		DUAL UPHOLSTERY	
			LIST PRICE	EXTENDED PRICE	LIST PRICE	EXTENDED PRICE
1	ZNTG	Ledge Table-to-Sofa Tether (Kit of 2)	100	100	100	100
1	ZNQR	Bench End Caps (Set of 2)	125	125	125	125
1	ZNEPLB120	Power Pill, Three Power, One USB Module, 120" Length Of Cord	280	280	280	280
1	ZNCFWS55B100PN	Fabric Buffer - Semi-Supported Screen, 55"h, Part Slots, Both Ends, 100 sq ft, Part Configuration, Interior	427	427	427	427
1	ZNTWC48P	Round Lounge Workshop Table, 48"dia, with Center Pill Cut Out	651	651	651	651
6	ZNMDZB	Zones Side Stool, 4-Wood Legs, No Arms, Plastic Back, Bar Height	739	4434	739	4434
1	ZNFK29100MY	Ledge Surface & Support Kit, 29"h, 100 sq ft Screen Footprint Area, Media, Cable Kit	1075	1075	1075	1075
1	ZNTLCE421860	Ledge Table - Curved, End, 42"h x 18"d x 60"w	1961	1961	1961	1961
1	ZNTLCM421860	Ledge Table - Curved, Middle, 42"h x 18"d x 60"w	1961	1961	1961	1961
1	ZNTLCS421860	Ledge Table - Curved, Start, 42"h x 18"d x 60"w	2168	2168	2168	2168
3	ZNQJNS	60° Concave Bench – Hi-Back (Single Upholstery), No Electrical Module	3678	11034	3855	11565
1	ZNFWS55B100	Semi-Supported Screen - C, 55"h, Partial Slots, Both Ends, 100 sq ft Footprint Area	7596	7596	7596	7596
TOTAL			31812	LIST	TOTAL	32343 LIST

Finishes: Grade 3 Fabric, Laminate Tables. *

See Price Guide for Dual Upholstery Product Codes