

kogen tables



kogen tables

Collection

Defined by floating horizontal surface planes and a refined wire base, Kogen™ tables are ideal in traditional offices as well as collaborative and public settings. Designed by Jeffrey Bernett and Nicholas Dodziuk, Kogen is simple enough to occupy a space and share it equally with bolder pieces, yet remain highly functional and take center stage through its high level of craft and sophistication.

Designer

Jeffrey Bernett & Nicholas Dodziuk

Typology

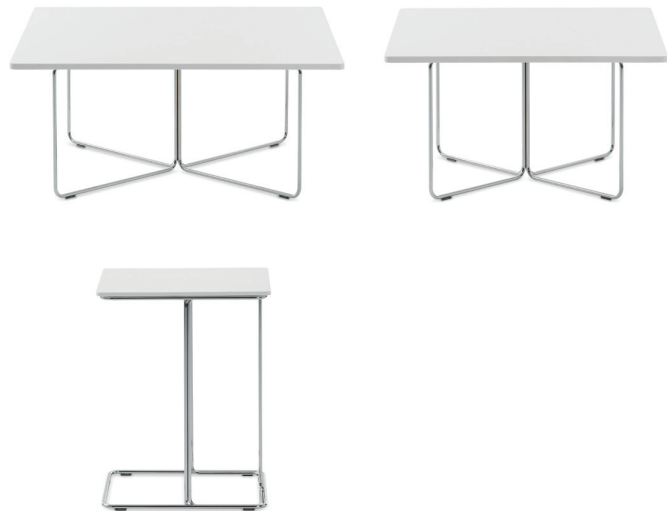
Occasional Tables

Collection

Studio TK

Year

2014



Dimensions

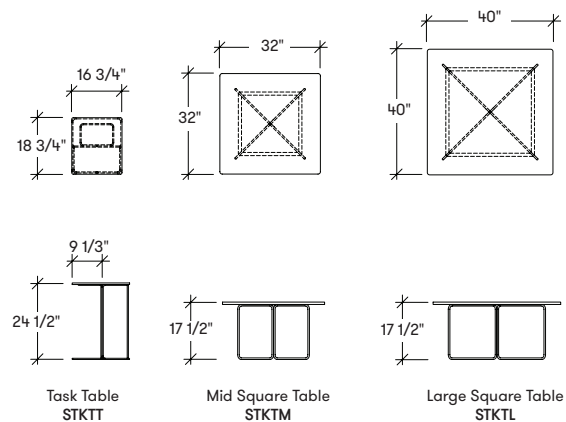
Fabrics & Finishes

Surface finish

Seamless Color, Flintwood,
Natural Veneer or Solid Surface

Frame finish

Chrome



Studio TK

3940 US 70 Business Hwy, West
Clayton, North Carolina 27520, USA
Tel: 855.941.0262 / Fax: 919.464.2927
www.studiotk.com

©, ™ Trademarks of tekcion corporation and/or its subsidiaries or licensed to it.
Patents may be pending. Some products may not be available in all markets.

Contact your local Studio TK representative for availability.

CAN/US/INT 05-16 © Tekcion 2016 Printed in Canada