

qui ottomans



## qui ottomans product information

---

A collection of surfaces and seating, Qui™ is a flexible-use product that offers a multiplicity of deployments in reconfigurable formats. Qui defines and creates environments to encourage meaningful dialogue between colleagues and small-format, touch-point areas for quick interactions and exchanges.

Qui comes from the idea of creating a product collection around the theme of versatility to respond to the new and diverse needs of contemporary life and work. The items are conceived to be used with balance and harmony and create comfortable, cozy spaces that can be experienced and interpreted in different ways.

|                                  |                                    |
|----------------------------------|------------------------------------|
| <b>Designer</b><br>Monica Armani | <b>Typeology</b><br>Lounge Seating |
| <b>Collection</b><br>Studio TK   | <b>Year</b><br>2015                |

### Collection

---



### Dimensions

---

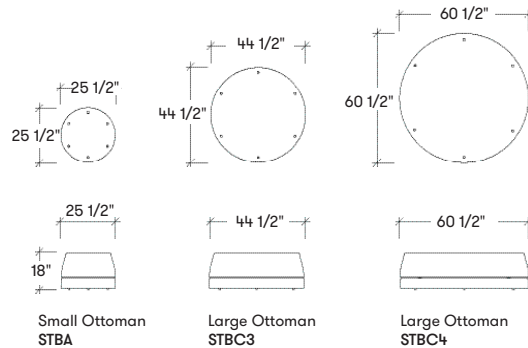
## Fabrics & Finishes

### Upholstery

Top, middle and bottom of ottoman can be finished in fabrics available from Luum; COM/COL

### Thread finish

White, Silver, Black, Navy, Golden Brown, Forsythia, Scarlet, Sunset or Plumb



### Studio TK

3940 US 70 Business Hwy, West  
Clayton, North Carolina 27520, USA  
Tel: 855.941.0262 / Fax: 919.464.2927  
www.studiotk.com

©, TM Trademarks of teknion corporation and/or its subsidiaries or licensed to it. Patents may be pending. Some products may not be available in all markets. Contact your local Studio TK representative for availability.  
CAN/US/INT 07-15 © Teknion 2017 Printed in Canada SS-095-0025EN