

w/r/s

price & application guide

04.30.2018

tektion



contents

INTRODUCTION

3

APPLICATION GUIDE

17

PRICE GUIDE

49

introduction

introduction

WHERE TO FIND THE INFORMATION YOU NEED	5
HOW TO MAKE THIS GUIDE WORK FOR YOU	6
INDEX – BY SECTION.	8
INDEX – BY PRODUCT	9
WHAT IS W/R/S?.	10
W/R/S APPLICATION TYPICALS	11
HOW TO SPECIFY W/R/S.	12
INTEGRATION.	14

where to find the information you need

Teknion provides an array of tools and information resources to help you get things done simply and easily. From product pricing to application guidelines to online planning suggestions, you will find what you need when you need it.

product pricing

Online Access to all current pricing in PDF format, can be found at www.teknion.com, by selecting the **products** tab, the desired product line and then **pricing module**.

Printed Price Guides by product line containing product maps, detailed pricing tables and product basics information are available to help you specify correctly. These guides can be ordered online through www.teknion.com, by selecting the **tools** tab and then **print on demand** or by contacting your local Teknion Representative.

application guidelines

Online Access to all current Application Guides in PDF format, can be found at www.teknion.com, by selecting the **tools** tab, **application guides** and the desired product line.

Printed Application Guides by product line containing detailed application guidelines as well as tips to help you plan and specify each of our products are available. These guides can be ordered online through www.teknion.com, by selecting the **tools** tab and then **print on demand** or by contacting your local Teknion Representative.

planning tool

Select and view typicals of our products by setting, product, or footprint. Get great ideas and save time!

Online Access is available on www.teknion.com, by selecting the **tools** tab and then **planning tool**.

weights & volumes

Online Access to Weights & Volumes are available on www.teknion.com, by selecting the **products** tab and the desired product line. Download Weights & Volumes.

fabrics & finishes

Teknion's Fabrics and Finishes offering includes the following programs; Finishes + Materials and Teknion Textiles.

Online Access is available on www.teknion.com, by selecting the **tools** tab and then **Fabrics & Finishes**.

Printed Fabrics & Finishes Guides can be ordered online through www.teknion.com, by selecting the **tools** tab and then **print on demand** or by contacting your local Teknion Representative.

product photography & drawings

Online Access to all photos, line drawings and renderings are available on www.teknion.com, by selecting the **tools** tab and selecting either **photography**, **CAD symbols** or **Sketchup 3D Warehouse**.

order forms

All forms (COM Request, TekniPaint and TekniStain forms) are available online at www.teknion.com, by selecting the **tools** tab and then **Fabrics & Finishes**. Download the form you require.

warranty/terms & conditions of sale

Online Access is available on www.teknion.com, by selecting the **Legal & Warranty** link located on the footer of the website.

installation guides

Installation Guides are available for both Online and Print. Contact your Teknion Customer Service Representative for more details.

user feedback

How is our marketing material working for you?

Feedback from the user is very important to the quality of Teknion's marketing material. We ask that if you have suggestions on how you think we could improve content **OR** if you have found an error, that you please contact your Teknion Technical Services department.

how to make this guide work for you

guide contents

This guide contains all the information you need to order this product through your specification software. The Introduction section provides everything you need to get started. The Application Guide contains detailed specification guidelines, application and planning information to help you plan your project correctly. The Price Guide sections provide detailed pricing and specification information by product type.

6

introduction Index by section Index by product	application guide Specification Basics Planning Details	price guide Product Maps by section Pricing by section
---	--	---

basics page at a glance

It is recommended that you review the basics pages before you begin specifying a product. For more detailed application information refer to the Application Guide available on www.teknion.com.

Section Title → application guide – structure

Page Title → frame basics

Page Number → 18

Product Name and Code, application notes, dimensions and finishes (as applicable) →

Last update for this page → W/R/S price & application guide – April 30, 2018

application guide – structure

frame basics


The Frame is the main structure that attaches to the wall and supports a variety of Fascias, worksurfaces, mounted storage and accessories to create a W/R/S workstation, as well as managing power and communication distribution. A Frame is required for every W/R/S.

- All dimensions noted are nominal
- The maximum length of horizontal rail components is 96"; they come in more than one piece for larger frames
- Must be installed onto straight building walls with load bearing capability. Cannot be applied to an Altos Wall.
- No Baseboard or Electrical Pass-Through Baseboard configurations may be required by local building code to provide direct access to building power outlets. Please consult your local authority
- Base Frame Add-On Kit (CVFB) can be added later under No Baseboard Frame and must be specified separately

Frame (CVFF)


- Ships complete with horizontal rails, vertical support, vertical end covers and hardware
- Electrical Pass-Through Baseboard and No Baseboard configurations allow access to building power and communication outlets

- Frame is 2 1/2" thick
- Finished in Clear Anodized
- Three styles available:




Standard Baseboard (S)

Starts 6" above floor



Electrical Pass-Through Baseboard (E)

Starts 6" above floor



No Baseboard (N)

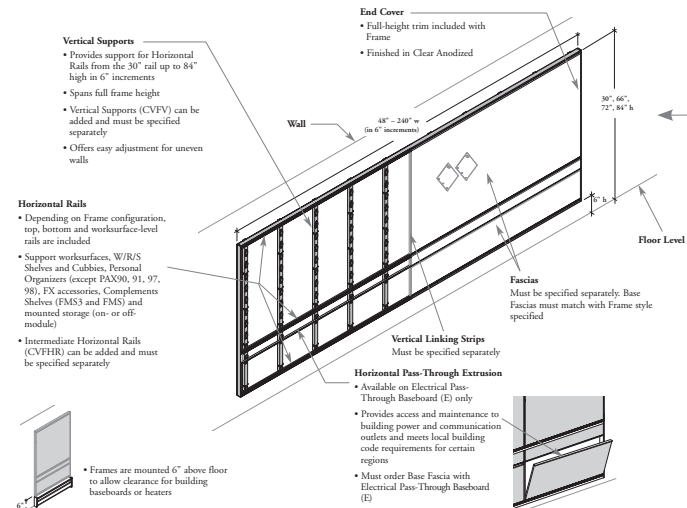
Starts 30" above floor

Product Overview Statement

Important Product Notes (If applicable)

Product Illustration

Detailed Component Illustrations (where required)



how to make this guide work for you (continued)

pricing details at a glance

Section Title → STRUCTURE

Product Code/Name → C V F V
Vertical Support

Product Illustration →

Page Number → 56

Feature and finish options you may select from when specifying →

Product Description, What's Included, What's Excluded (where applicable) and Notes (where applicable) →

This product provides additional wall support when required by the wall condition or a local authority.

WHAT'S INCLUDED
1 vertical support, ergonomic washers, and pull.

WHAT'S EXCLUDED
Wall Anchors.

NOTES
Height and Baseboard configuration must match with Frame.

Product Dimensions in inches and millimetres →

While sizing may be shown in both imperial and metric, products need to be ordered using imperial dimensions.

Dimensional Codes (listed throughout the text and under options on pricing pages) are nominal figures, they are not actual dimensions.

Sample Order Code →

Pricing table categorized by dimensions and price-relevant finishes (where applicable) →

Last update for this page → W/R/S price & application guide – April 30, 2018

PRODUCT OPTIONS		Height
	Baseboard Configuration	
N	No Baseboard	30, 66, 72, 84
B	With Baseboard	

SAMPLE ORDER CODE

CVFV B	66
--------	----

DIMENSIONS INCHES / MM	PRICING	
	No Baseboard (N)	With Baseboard (B)
30 / 762	142	84
66 / 1676	145	160
72 / 1829	150	170
84 / 2134	170	193

additional information

The following forms are available at www.teknon.com, by selecting the **tools** tab and then **Fabrics & Finishes**, to help you specify and place your order if required:

teknipaint

If you require a custom paint color match, you must submit a TekniPaint form.

using your own material (COM)

If you wish to use your own material on fabric-covered products, you must submit a completed COM form including a sample upholstery and safety testing.

A COM Order Information Sheet must also be submitted. This form captures all relevant ordering and tracking information.

A COM Request for Yardage Calculation form may be sent to Teknion for preliminary yardage requirements.

placing a manual order

Complete an Order Cover Sheet with the information we need to fill your order. This is the most important step. If the Order Cover Sheet is not complete and correct, the order may be delayed.

noting key requirements

If you require that certain pieces share the same locks you will need to specify Set of Keys Alike (SOKL) located in the Price and Product Guide.

index – by section

Section Contents	Product Code	Page No.
Introduction		
Where to find the information you need		5
How to make this guide work for you		6
What is W/R/S?		10
W/R/S Application Typicals		11
How to specify W/R/S		12
Integration		14
Application Guide		
STRUCTURE		
Frame Basics		18
Planning with Frames		19
Vertical Support Basics		20
Intermediate Horizontal Rail Basics		21
Vertical Linking Strip Basics		22
Base Frame Add-On Kit Basics		23
FASCIAS		
Upper Fascia Basics		25
Planning with Upper Fascias		26
Base Fascia Basics		28
Planning with Base Fascias		29
Fascia Grain/Pattern Direction		30
SHELVES		
Shelf Basics		32
On- or Off-Module Shelf Planning		33
Planning with Book Shelves		34
Planning with Cubbies		36
Planning with Floating Shelves		38
Shelves Grain/Pattern Direction		40
WORKSURFACE SUPPORTS		
Worksurface Bracket Basics		42
Planning with Worksurface Brackets		43
ELECTRICS		
Electrical Component Basics		44
Access to Wall Outlets		46
Wiring from Under to Above Worksurface		47

Section Contents	Product Code	Page No
Price Guide		
STRUCTURE		
Frame	CVFF	54
Intermediate Horizontal Rail	CVFHR	57
Vertical Linking Strip	CVFLS	58
Base Frame Add-On Kit	CVFB	59
Vertical Support	CVFV	56
FASCIAS		
Fabric Tackboard Upper Fascia	CVUFF	64
Whiteboard Upper Fascia	CVUFP	68
Laminate Upper Fascia	CVUFL	70
Wood Upper Fascia	CVUFW	74
Laminate Base Fascia	CVBL	77
Wood Base Fascia	CVBW	78
Accessory Rail	CVUAR	79
SHELVES		
Laminate Book Shelf	CVSLL	84
Wood Book Shelf	CVSLW	85
Laminate Cubby	CVSCL	86
Wood Cubby	CVSCW	87
Laminate Floating Shelf	CVSFL	88
Wood Floating Shelf	CVSFW	89
WORKSURFACE SUPPORTS		
Mounted Worksurface Brackets	CVWB	95
ELECTRICS		
Power Bar and Cover	CVLP	100
Field-Installed Grommet	CVLG	101
Wire Tray	CVLT	102
Mounted Storage Wire Cover	CVLC	103

index – by product

Product Name	Product Code	Page No.
Accessory Rail	CVUAR	79
Base Frame Add-On Kit	CVFB	59
Fabric Tackboard Upper Fascia	CVUFF	64
Field-Installed Grommet	CVLG	101
Frame	CVFF	54
Intermediate Horizontal Rail	CVFHR	57
Laminate Base Fascia	CVBL	77
Laminate Book Shelf	CVSLL	84
Laminate Cubby	CVSCL	86
Laminate Floating Shelf	CVSFL	88
Laminate Upper Fascia	CVUFL	70
Mounted Storage Wire Cover	CVLC	103
Mounted Worksurface Brackets	CVWB	95
Power Bar and Cover	CVLP	100
Vertical Linking Strip	CVFLS	58
Vertical Support	CVFV	56
Whiteboard Upper Fascia	CVUFP	68
Wire Tray	CVLT	102
Wood Base Fascia	CVBW	78
Wood Book Shelf	CVSLW	85
Wood Cubby	CVSCW	87
Wood Floating Shelf	CVSFW	89
Wood Upper Fascia	CVUFW	74

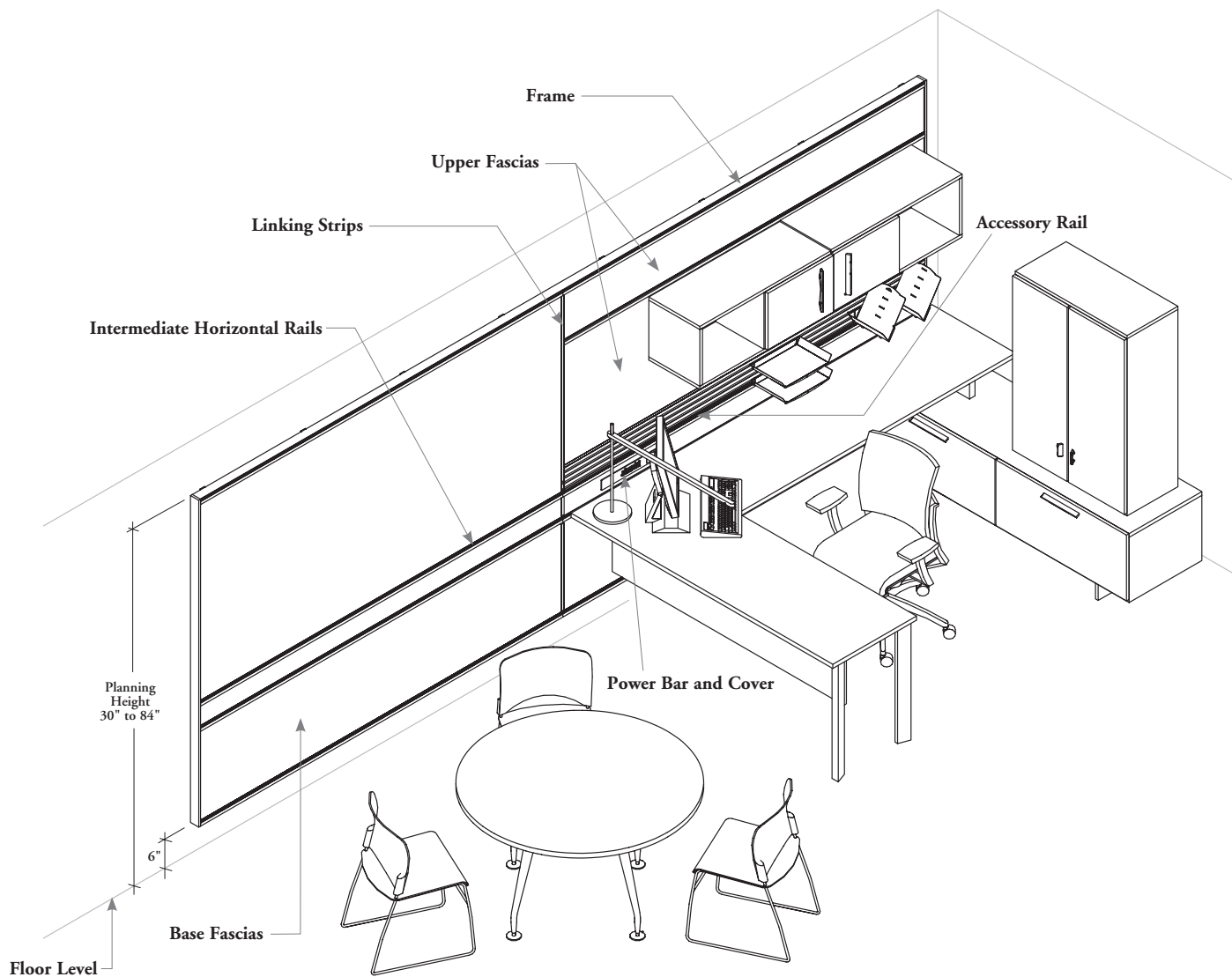
what is W/R/S?

W/R/S is a wall rail system that mounts to existing building walls and allows simultaneous attachment of fascias, storage and worksurfaces in one application. Its clean contemporary design blends seamlessly with all types of office environments, allowing an integrated and unified aesthetic across the entire building floor.

IO

- Can be used on all walls with load bearing capacity; cannot be used on Altos walls
- Consult your local building code and authority for further guidance

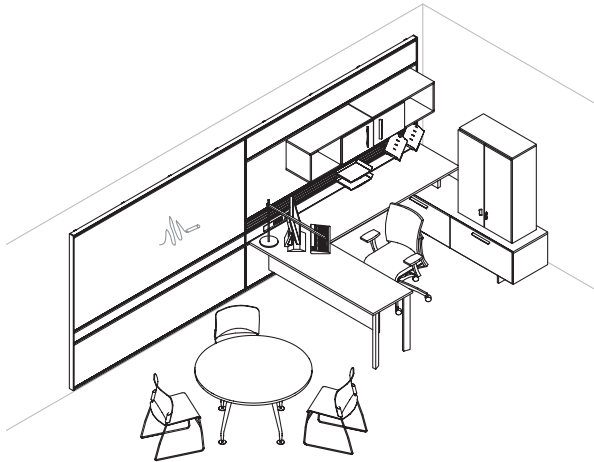
- W/R/S transforms walls, making them highly functional and easily reconfigurable
- Extensive furniture integration makes W/R/S customizable across broad applications such as private offices, open spaces, meeting areas, shared workspaces, reception area and others



W/R/S application typicals

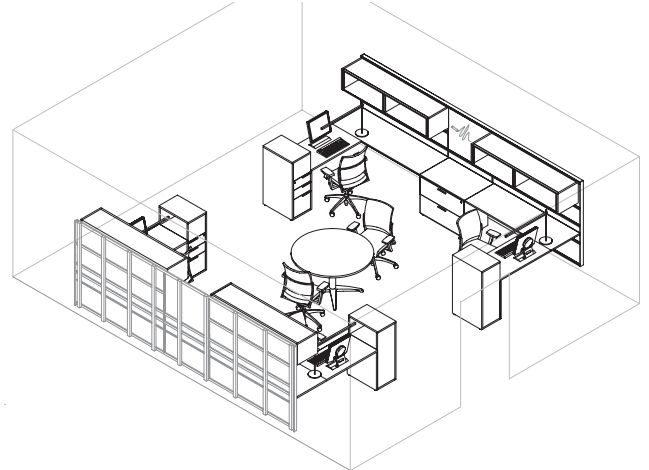
The following examples demonstrate W/R/S used in various office environments. All illustrated applications are based on W/R/S installed on building walls.

private office



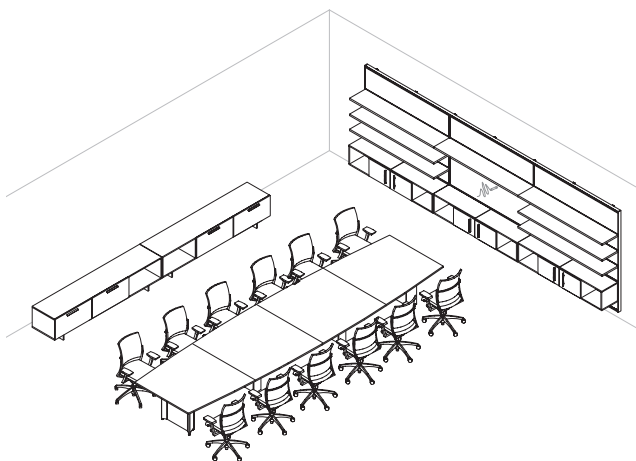
- U-Shaped configurations can be created by combining W/R/S with Teknion's worksurfaces, legs and storage supports
- W/R/S provides support for storage, worksurfaces, fascias, accessories as well as routing power
- The Porcelain Whiteboard Upper Fascia provides support for a functional adjacent meeting area

open space



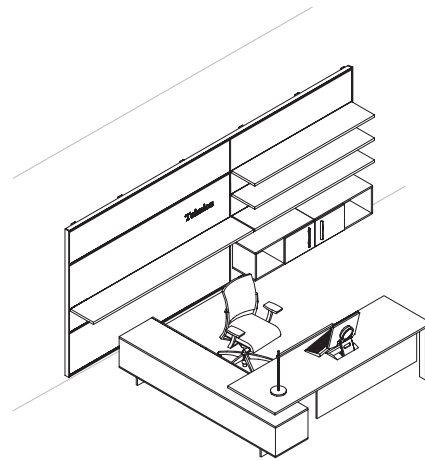
- Collaborative work environments can be created with L-Shaped workstations by combining W/R/S with Teknion's worksurfaces and storage supports
- W/R/S provides support for storage and worksurfaces
- Freestanding storage between two workstations provides space division and worksurface support as well as storing space for shared documents

meeting area



- W/R/S is adaptable to a broad range of applications including meeting areas
- Using shelves and overhead cabinets on W/R/S extends the functionality of a wall and increases storage capacity
- Porcelain Whiteboard Upper Fascia provides a writing surface

reception area



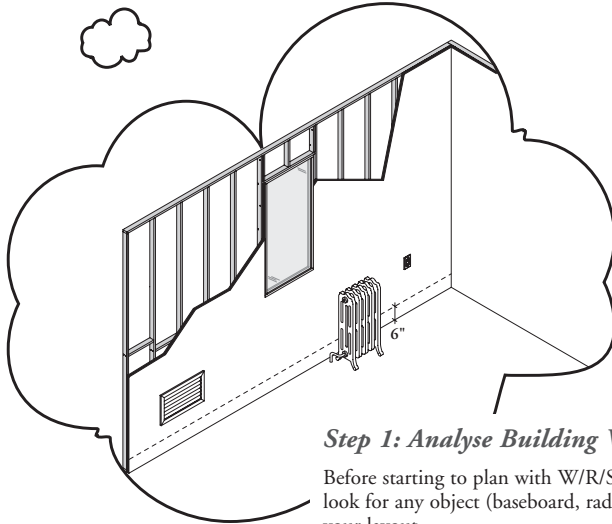
- Reception areas can be created by combining W/R/S with Teknion's freestanding worksurfaces and storage
- W/R/S-mounted shelves and storage expand a workspace footprint.

how to specify W/R/S

A broad selection of Teknion product lines, including District, Expansion Desking, Filing & Storage, Leverage and Modena|Umbria|Volterra (United States only) can be connected to W/R/S.

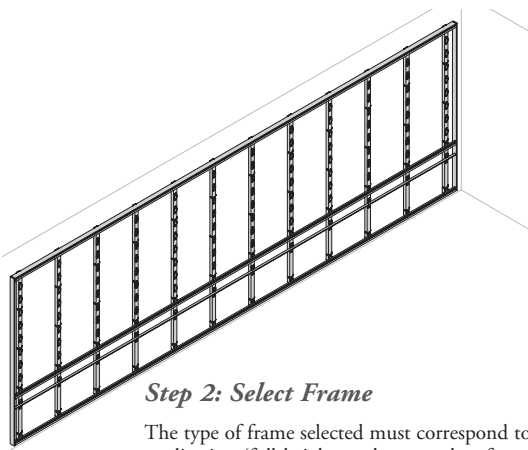
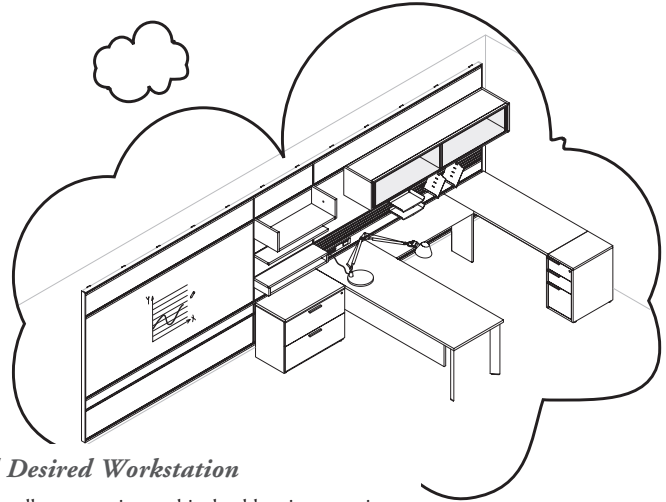
12

- ! • The purchaser and installer are responsible to ensure application of appropriate attachment methods and hardware for a secure and safe installation that meets the applicable local building codes and laws
- Installation sequence will be different than specification sequence shown here



Step 1: Analyse Building Walls and Desired Workstation

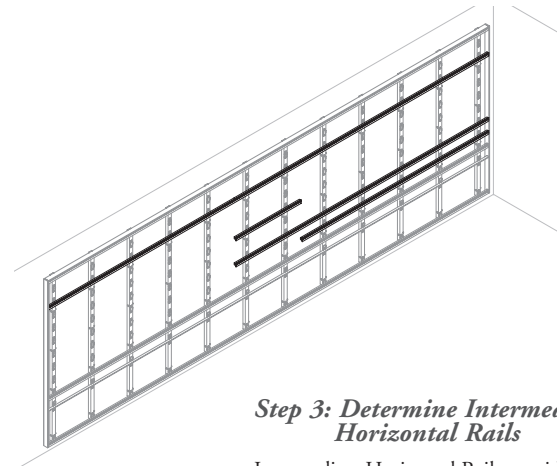
Before starting to plan with W/R/S, analyse the wall construction and its load bearing capacity, look for any object (baseboard, radiator, etc.) that could interfere with the W/R/S and visualise your layout



Step 2: Select Frame

The type of frame selected must correspond to desired functional application (full-height or above-worksurface application), architectural restrictions (windows, heaters) and electrical requirements (frames providing access to building data and power sources)

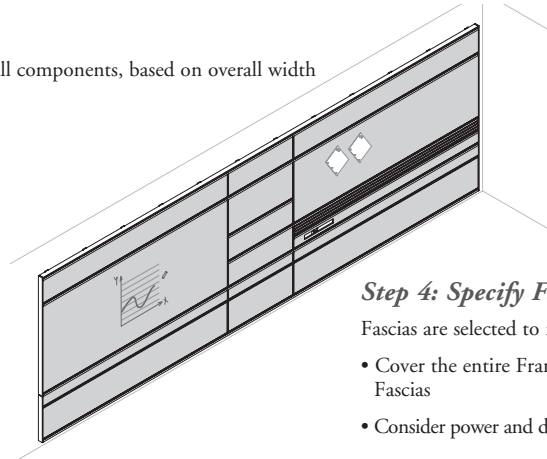
- Specify Frame type and size
- Frame ships complete with all components, based on overall width and height



Step 3: Determine Intermediate Horizontal Rails

Intermediate Horizontal Rails provide horizontal division between Fascias and are used to support shelves and storage components

- Specify type, size and quantity of Intermediate Horizontal Rails; never use two rails side-by-side, always specify as a single length

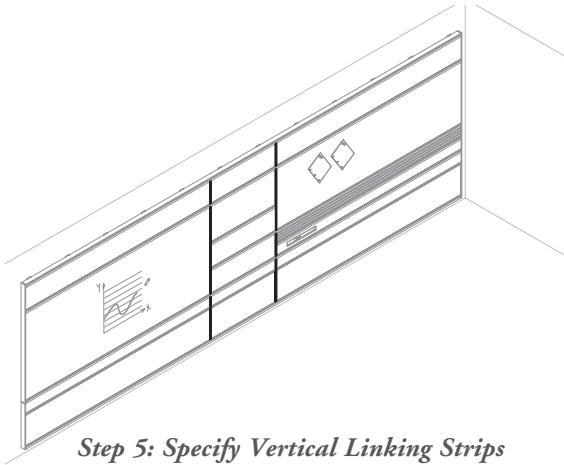


Step 4: Specify Fascias & Accessory Rails

Fascias are selected to meet functional and aesthetic requirements

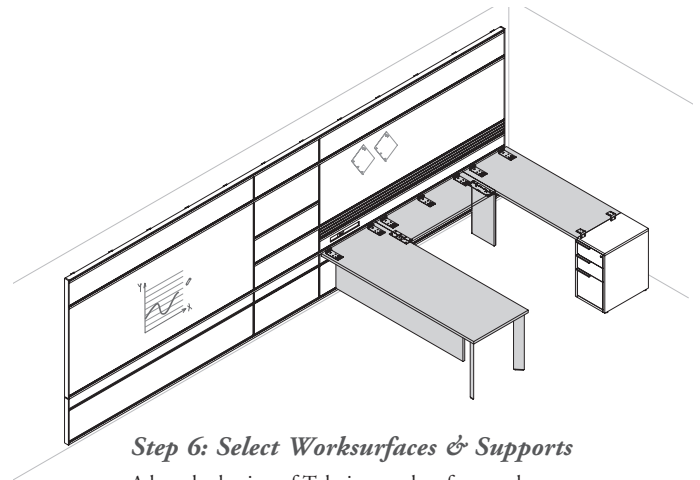
- Cover the entire Frame with a proper combination of Upper and Base Fascias
- Consider power and data location requirements to select appropriate Fascias

how to specify W/R/S (continued)

**Step 5: Specify Vertical Linking Strips**

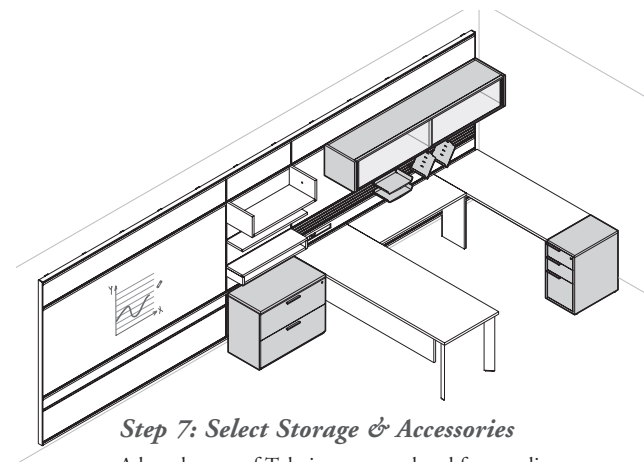
Vertical Linking Strips provide vertical division between Fascias

- Specify the Vertical Linking Strip up to the closest horizontal rail (i.e., aligned with highest adjacent fascia)

**Step 6: Select Worksurfaces & Supports**

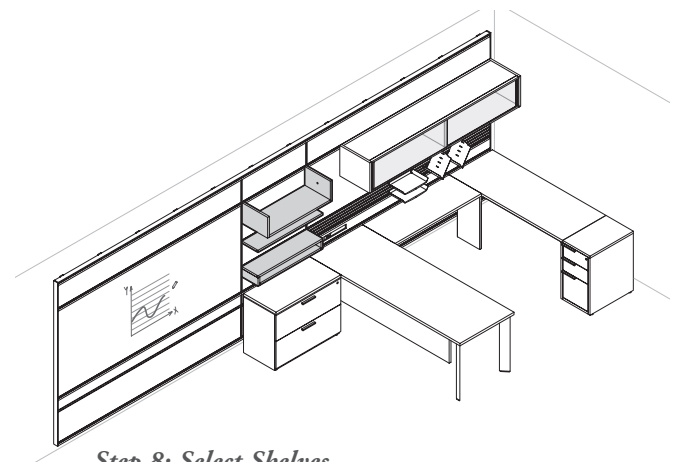
A broad selection of Teknion worksurfaces and support components are available to mount on W/R/S

- Specify appropriate worksurfaces and supports
- Worksurfaces must be installed on worksurface-level Horizontal Rail supplied with the W/R/S Frame, using the Mounted Worksurface Brackets (CVWB, see Worksurface Supports section)

**Step 7: Select Storage & Accessories**

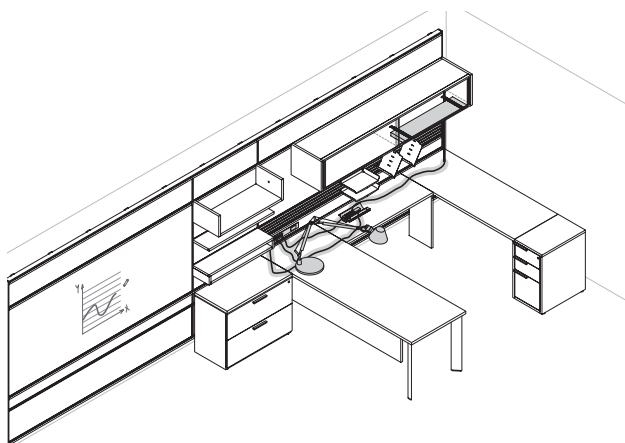
A broad range of Teknion mounted and freestanding storage products are available to complement W/R/S

- Specify overhead cabinets to be hung on Horizontal Rails
- Specify accessories that will be installed on the Accessory Rail
- Specify any additional freestanding storage required

**Step 8: Select Shelves**

Shelves and Cubbies are available within the W/R/S offering; they are mounted on Horizontal Rails

- Specify Shelf types and sizes

**Step 9: Lighting, Electrics & Communications**

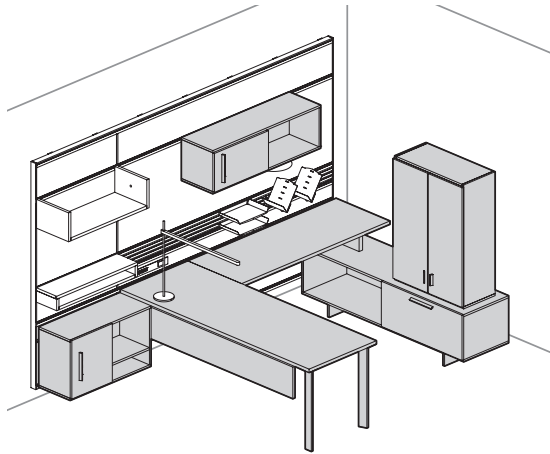
Integrated wire management capability offers easy user access and clean aesthetics. The type of electric or data access component depends on application

- Locate electrical and communication outlets on the building wall
- Specify appropriate wire management or power/data device

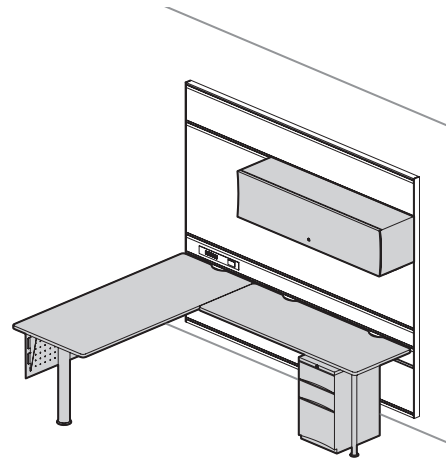
W/R/S integrates with a broad range of Teknion product lines. Examples are provided below.

! Most Teknion furniture components must be mounted with W/R/S specific brackets – see appropriate price & application guide for details

systems

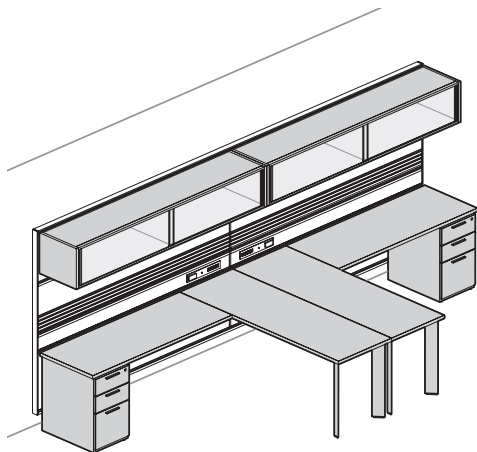


District Application



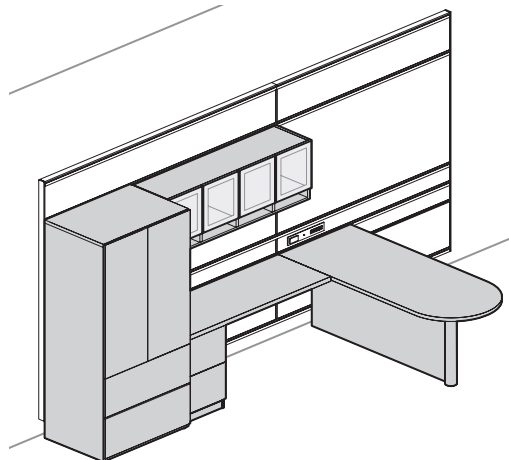
Leverage Application

freestanding/deskings



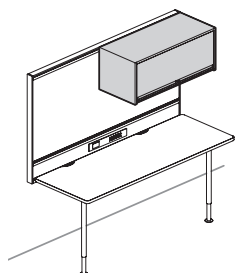
Expansion Desking Application

wood/casegoods



Modena|Umbria|Volterra and Common Teknion Wood Application (available in the USA only)

filing & storage



Filing & Storage Application

application guide

application guide

STRUCTURE

FRAME BASICS	18
PLANNING WITH FRAMES	19
VERTICAL SUPPORT BASICS	20
INTERMEDIATE HORIZONTAL RAIL BASICS	21
VERTICAL LINKING STRIP BASICS	22
BASE FRAME ADD-ON KIT BASICS	23

FASCIAS

UPPER FASCIA BASICS	25
PLANNING WITH UPPER FASCIAS	26
BASE FASCIA BASICS	28
PLANNING WITH BASE FASCIAS	29
FASCIA GRAIN/PATTERN DIRECTION	30

SHELVES

SHELF BASICS	32
ON- OR OFF-MODULE SHELF PLANNING	33
PLANNING WITH BOOK SHELVES	34
PLANNING WITH CUBBIES	36
PLANNING WITH FLOATING SHELVES	38
SHELVES GRAIN/PATTERN DIRECTION	40

WORKSURFACE SUPPORTS

WORKSURFACE SUPPORT BASICS	42
PLANNING WITH WORKSURFACE BRACKETS	43

ELECTRICS

ELECTRICAL COMPONENTS	44
ACCESS TO BUILDING OUTLETS	46
WIRING FROM UNDER TO ABOVE WORKSURFACE	47

frame basics

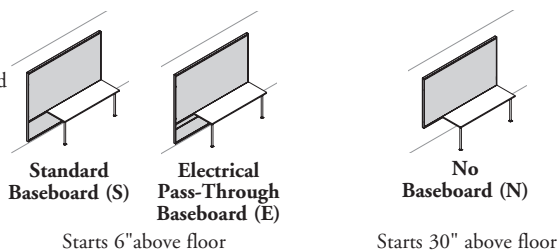
The Frame is the main structure that attaches to the wall and supports a variety of Fascias, worksurfaces, mounted storage and accessories to create a W/R/S workstation, as well as managing power and communication distribution. A Frame is required for every W/R/S.

- All dimensions noted are nominal
- The maximum length of horizontal rail components is 96"; they come in more than one piece for larger frames
- Must be installed onto straight building walls with load bearing capability. **Cannot** be applied to an Altos Wall
- No Baseboard or Electrical Pass-Through Baseboard configurations may be required by local building code to provide direct access to building power outlets. Please consult your local authority
- Base Frame Add-On Kit (CVFVB) can be added later under **No Baseboard Frame** and must be specified separately

Frame (CVFF)

- Ships complete with horizontal rails, vertical support, vertical end covers and hardware
- Electrical Pass-Through Baseboard and No Baseboard configurations allow access to building power and communication outlets

- Frame is 2 1/2" thick
- Finished in Clear Anodized
- Three styles available:



Vertical Supports

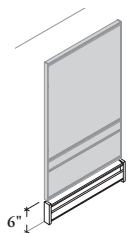
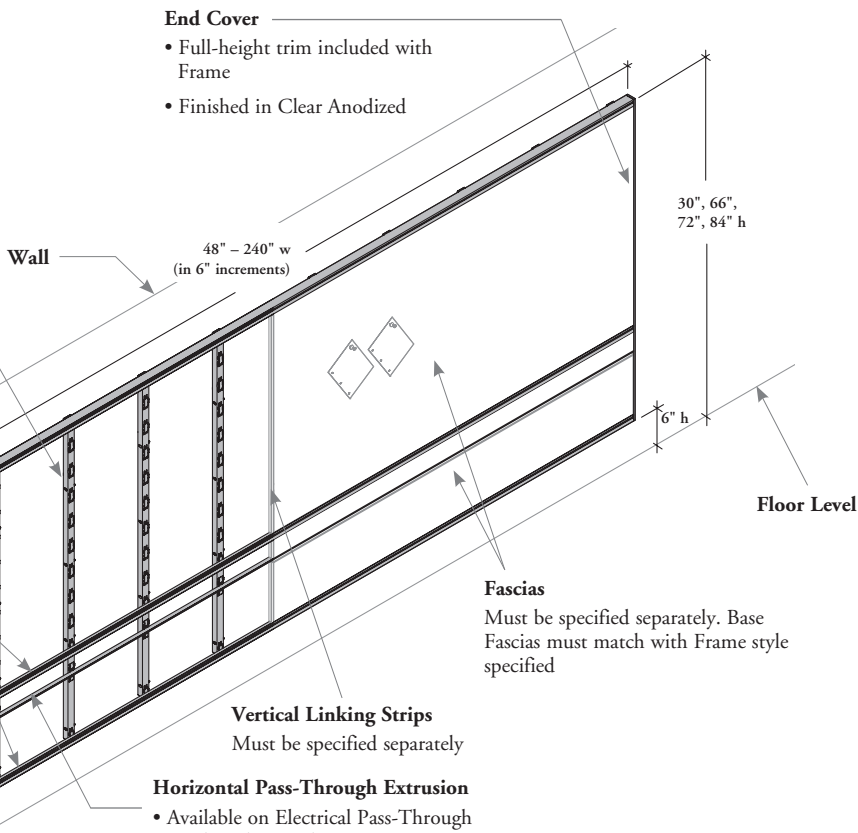
- Provides support for Horizontal Rails from the 30" rail up to 84" high in 6" increments
- Spans full frame height
- Vertical Supports (CVFV) can be added and must be specified separately
- Offers easy adjustment for uneven walls

Horizontal Rails

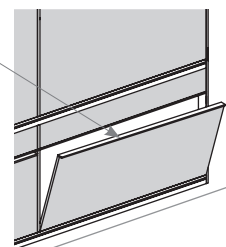
- Depending on Frame configuration, top, bottom and worksurface-level rails are included
- Support worksurfaces, W/R/S Shelves and Cubbies, Personal Organizers (except PAX90, 91, 97, 98), FX accessories, Complements Shelves (FMS3 and FMS) and mounted storage (on- or off-module)
- Intermediate Horizontal Rails (CVFHR) can be added and must be specified separately

End Cover

- Full-height trim included with Frame
- Finished in Clear Anodized

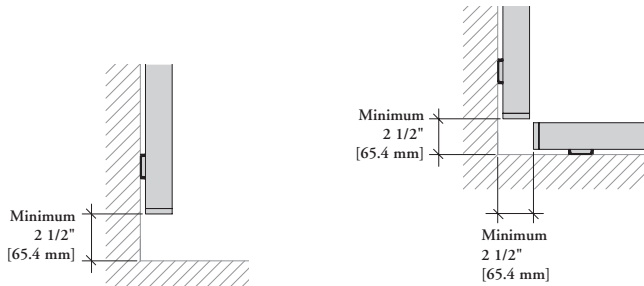


- Frames are mounted 6" above floor to allow clearance for building baseboards or heaters



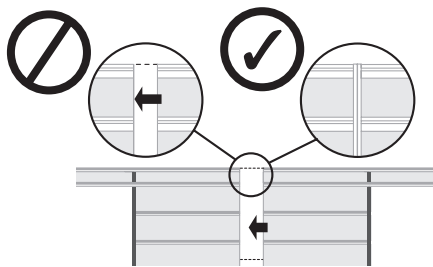
The following should be considered when planning with W/R/S Frames.

corner wall clearance



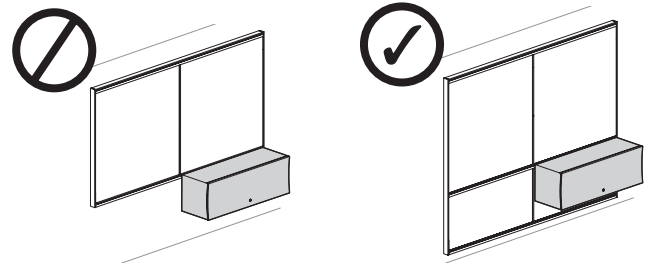
- Minimum distance between the end of the Frame and the perpendicular wall is 2 1/2"
- Minimum distance when two Frames are mounted on perpendicular walls is 2 1/2"

side-by-side mounting

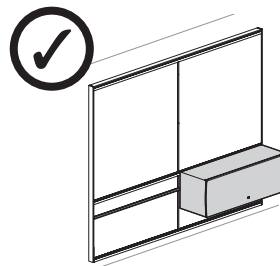


- Two W/R/S setups can be installed side-by-side but **cannot** be connected together
- When installing two Frames side-by-side, sufficient space is required between Frames to remove end cover

shelf mounting

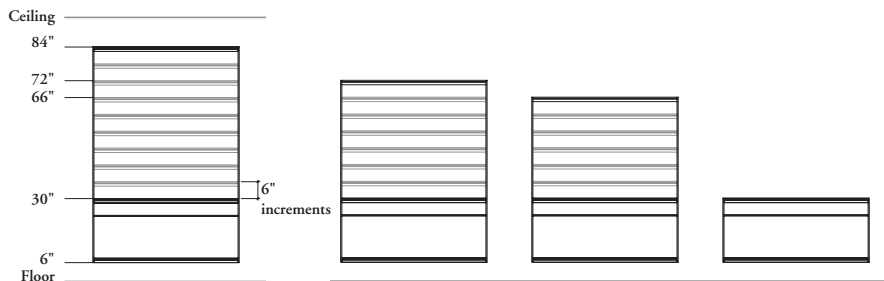


- Mounted storage, Book Shelf and Cubby must lean on the Frame baseboard (S) or (E) when installed at worksurface height
- Cannot be mounted on a No Baseboard Frame (N)



- The overhead mounted at this height does not allow access to building power outlets

frame structure height possibilities



84" height provides the largest planning height. Used for double overhead cabinets, several Shelves and Cubbies, more space for Fascias. Also aligns well with the Altos datum height

72" height is used for private offices, single overhead cabinets and Whiteboard fascias

66" height is used for open office space and single overhead cabinets

30" height is used for worksurfaces and mounted Storage

vertical support basics

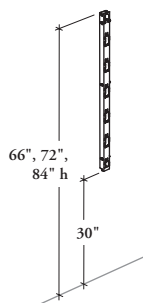
Vertical Supports provide additional support when required by the wall condition or a local authority.

! Vertical Supports attach to building walls, excluding glass

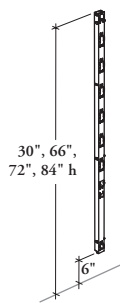
20

Vertical Supports (CVFV)

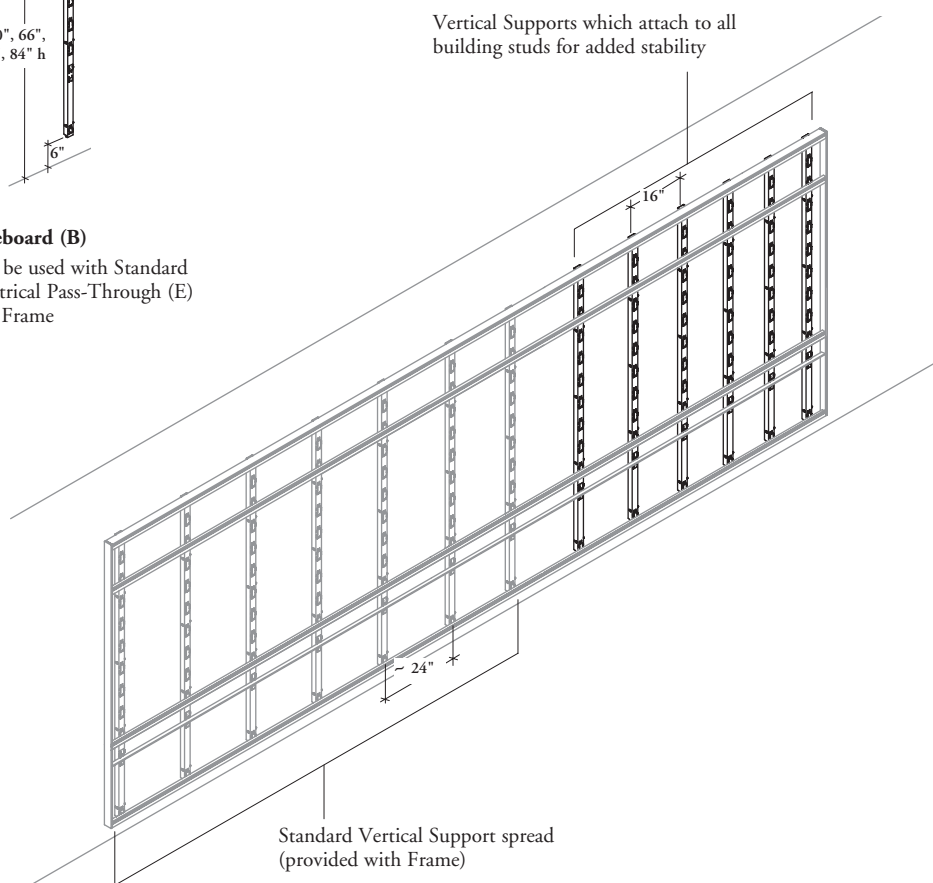
- Used for added wall support when mounting at 24" on center is not sufficient
- Two styles are available depending on Frame type chosen:



No Baseboard (N)
Must only be used with No Baseboard Frame (N)



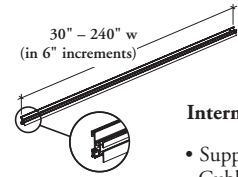
With Baseboard (B)
Must only be used with Standard (S) or Electrical Pass-Through (E) Baseboard Frame



intermediate horizontal rail basics

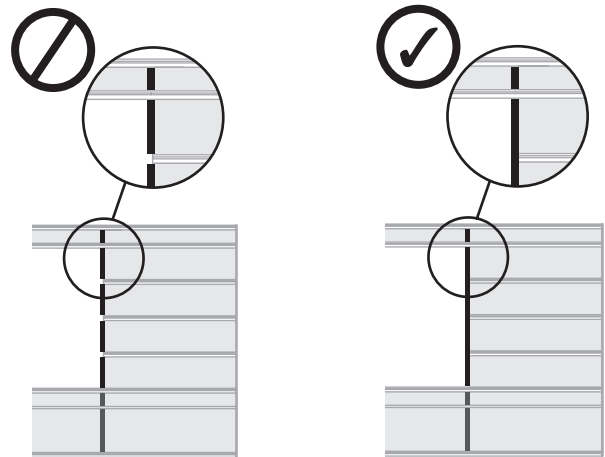
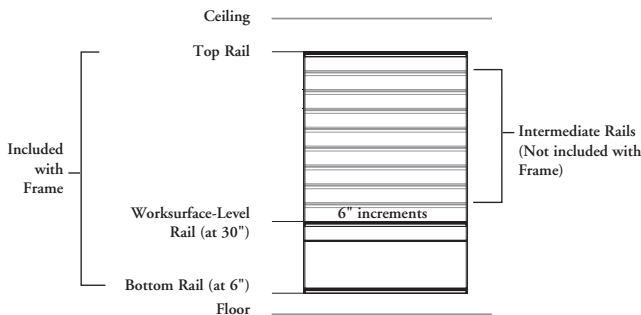
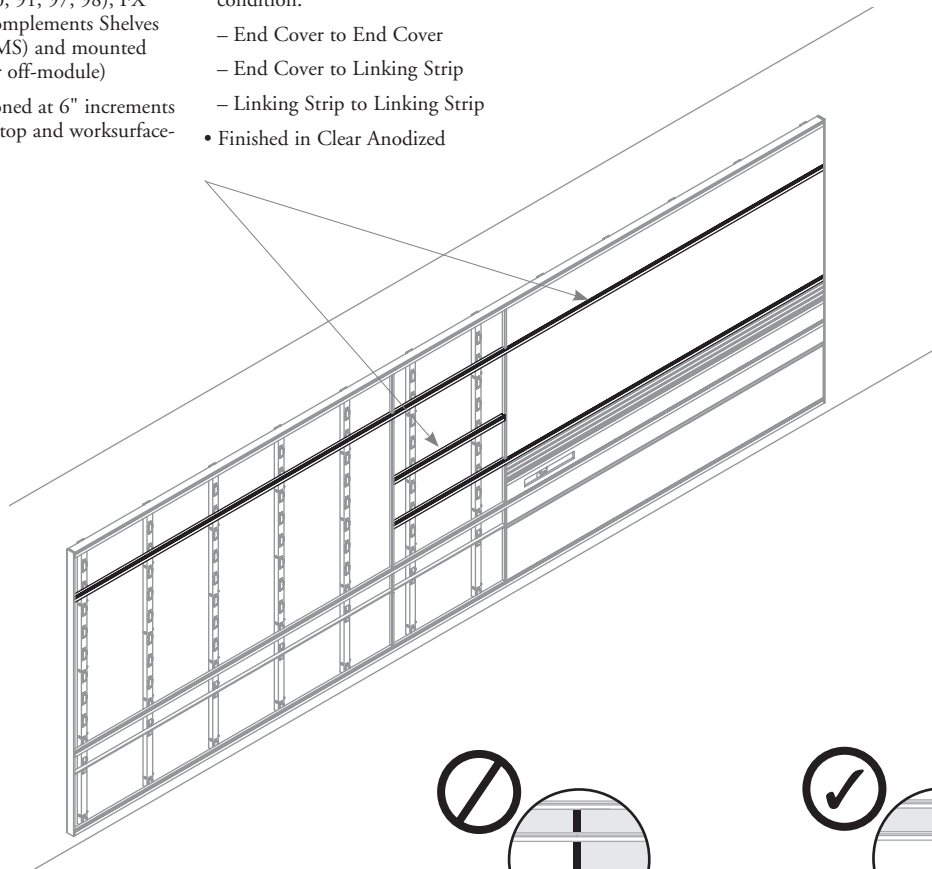
Intermediate Horizontal Rails ensure a finished horizontal transition between Fascias and support a variety of storage, Fascias and accessories, either on- or off-module.

! Two Intermediate Horizontal Rails **cannot** be used side-by-side



Intermediate Horizontal Rails (CVFHR)

- Support W/R/S Shelves and Cubbies, Personal Organizers (except PAX90, 91, 97, 98), FX accessories, Complements Shelves (FMS3 and FMS) and mounted storage (on- or off-module)
- Can be positioned at 6" increments between fixed top and worksurface-level rails
- Three types of Horizontal Rails are available based on attachment condition:
 - End Cover to End Cover
 - End Cover to Linking Strip
 - Linking Strip to Linking Strip
- Finished in Clear Anodized

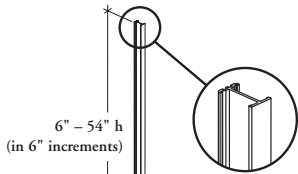


- Intermediate Horizontal Rails must end at an End Cover or a Vertical Linking Strip

vertical linking strip basics

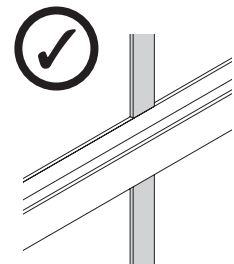
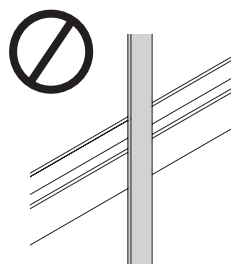
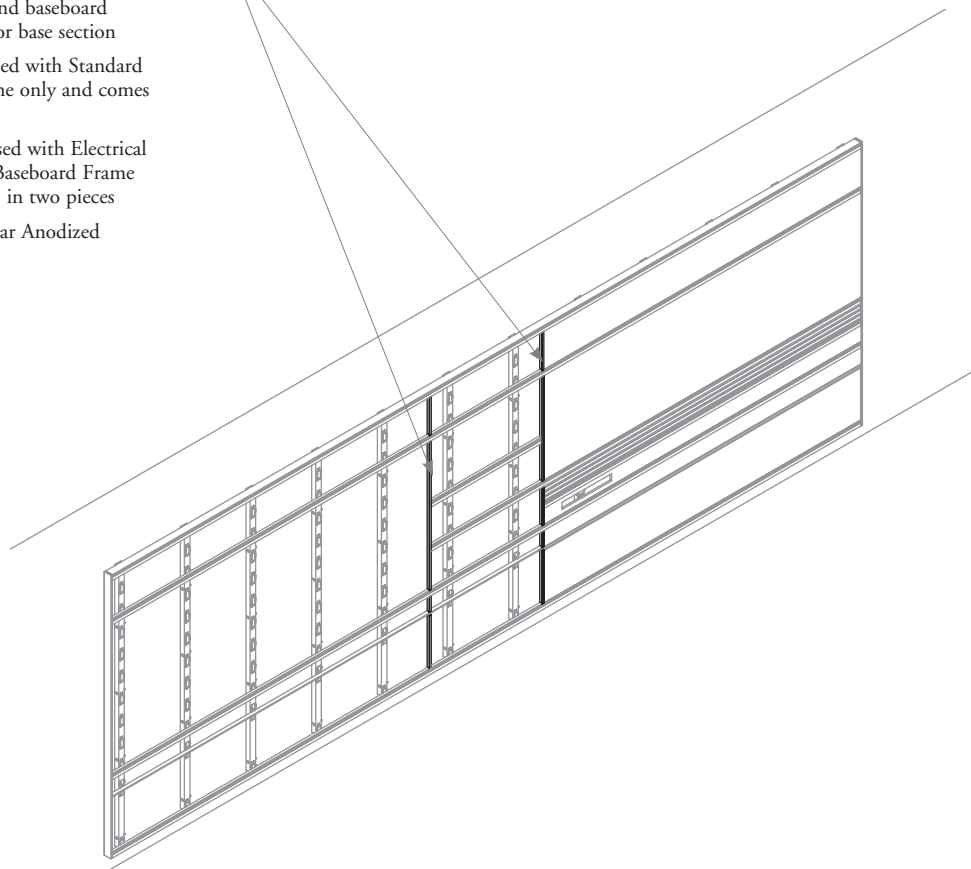
Vertical Linking Strips ensure a finished vertical transition between Fascias.

Specify the Vertical Linking Strip up to the closest horizontal rail (i.e., aligned with highest adjacent fascia)



Vertical Linking Strips (CVFLS)

- Specify Linking Strip height for upper section and baseboard configuration for base section
- SB option is used with Standard Baseboard Frame only and comes in one piece
- EB option is used with Electrical Pass-Through Baseboard Frame only and comes in two pieces
- Finished in Clear Anodized



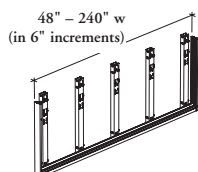
- A Vertical Linking Strip **cannot** cross two Intermediate Horizontal Rails
- Two separate Vertical Linking Strips must be specified

The Base Frame Add-On Kit adds a Baseboard level to an already-installed Frame without baseboard.

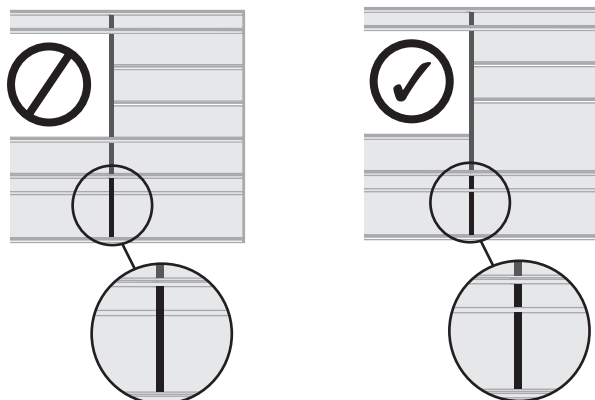
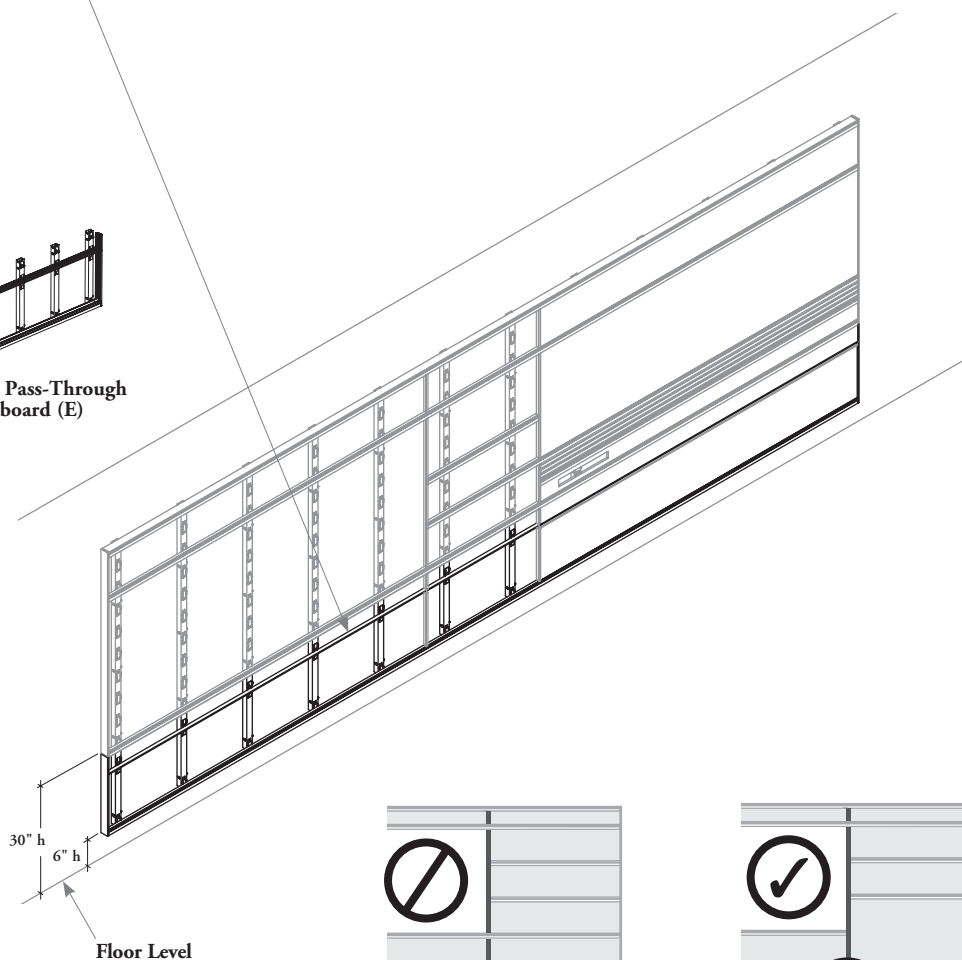
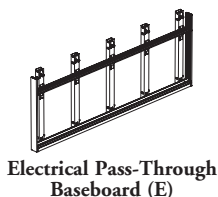
⚠ Can only be installed under a Frame without Baseboard

Base Frame Add-On Kit (CVFB)

- The width specified must equal the width of the Frame under which it is added
- Must be used with Vertical Support without baseboard (CVFVN) already installed
- Base Fascias must match with Frame specified. See Fascias section for options
- Finished in Clear Anodized
- Two styles available:



Standard Baseboard (S)

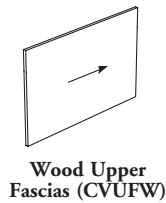
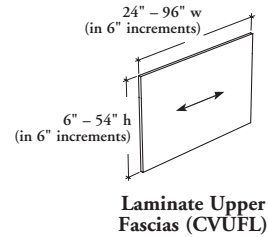


- The Vertical Linking Strip for Baseboard Frame must be specified with Baseboard Configuration (SB or EB) only

upper fascia basics

Upper Fascias are used to cover the upper section of the W/R/S Frame (above worksurface level) and provide a combination of functionality and aesthetics.

- ❗ Power and Data access can be provided above worksurface level by specifying a cut out in the Laminate or Wood Upper Fascia and by ordering a Power Bar and Cover (CVLP) separately
- Fascias must be installed between two Horizontal Rails and two vertical supports (End Covers or Linking Strips); these structural components are **not included** with the Upper Fascia
- Fascias must cover entire Frame structure; no space can be left open

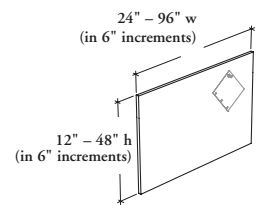


- Laminate Upper Fascias are available in Source Laminate finishes
- Wood Upper Fascias are available in Flintwood and Natural Veneer finishes

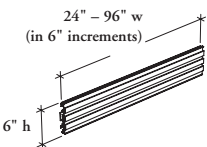
- Can be specified with horizontal cut outs for power and communication. See Chart below
- Each cut out can hold a four-outlet Power Bar (CVLP, ordered separately) and one data/communication faceplate. See Electric section for details

Power and Data Cut Out Option

Fascia Width	None (N)	Left or Right (L) (R)	Center (C)	Left and Right (B)
24" and 30"	✓	n/a	✓	n/a
36" and 42"	✓	✓	✓	n/a
48" to 96"	✓	✓	✓	✓



- This tackable surface accommodates the visual display of paper-based information
- Available in Teknion panel fabrics



- To suspend a variety of accessories, such as Personal Organizers and FX
- Supports the complete range of off-module 3" Shelves (FMS3) and the 6" Shelf System (FMS) from Complements; if specified, their width must be less than the Rail width
- Can support a monitor arm
- Must be mounted between two horizontal rails above worksurface level
- Finished in Clear Anodized



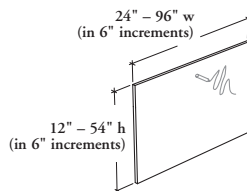
Also available:

Whiteboard Upper Fascias (CVUFP)

- Provides a writable work tool and a dry erasable magnetic whiteboard surface
- A 3" off-module shelf (FMS3) or a 6" Shelf System (FMS) can be specified to sit at the base of the whiteboard on horizontal rail to provide surface for holding markers

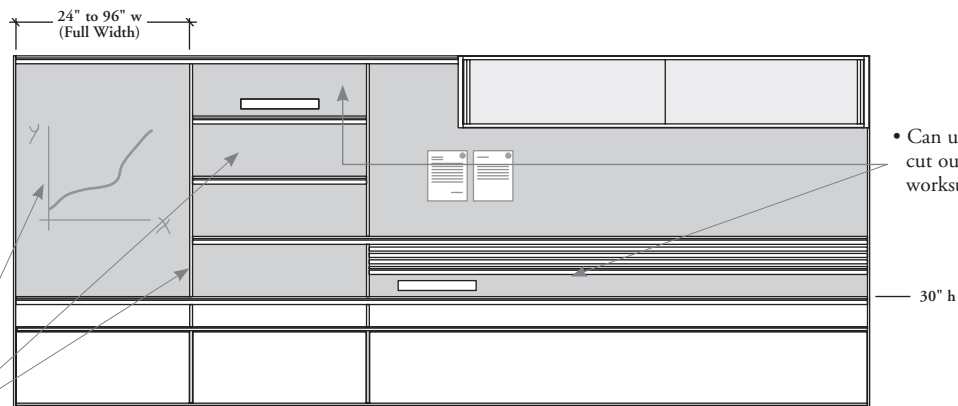
and brushes or light objects and can be found in *Complements: Teknion's Ergonomic & Accessory Program*

- Specify (FMS3) or (FMS) 2" shorter than width of fascia



planning with upper fascias

The following should be considered when planning with W/R/S Fascias.

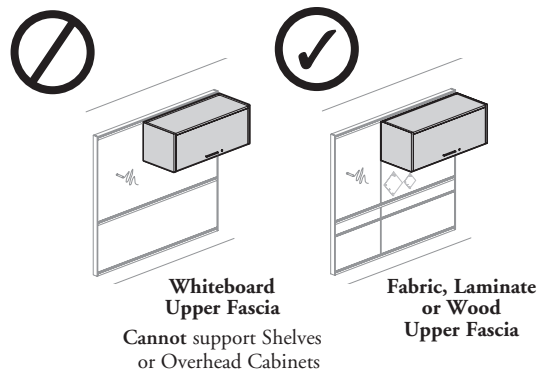
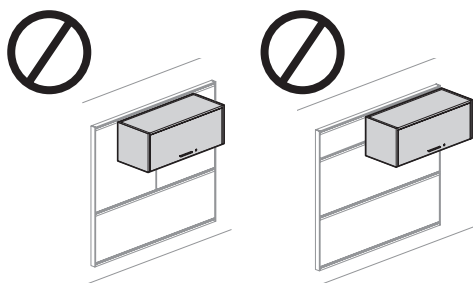


• Can use Upper Fascias with cut outs anywhere above worksurface level

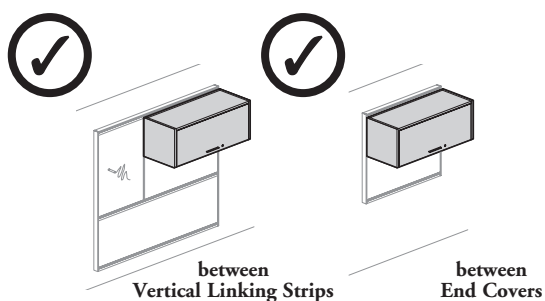
30" h

- Upper Fascias of different heights and widths can be placed above worksurface level
- Linking Strips ensure vertical transitions while Intermediate Horizontal Rails separate Fascias horizontally. Both must be ordered separately

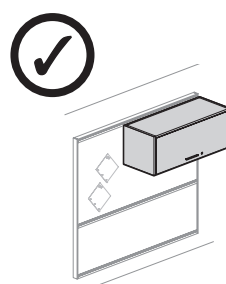
- Any overhead and Shelf width can be specified
- Can be mounted on- or off-module and can lean on Fabric, Laminate or Wood Fascias
- Must lean on one Fascia only



On-Module Application



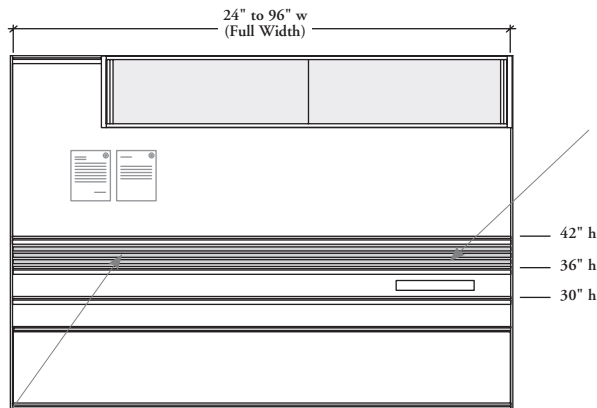
Off-Module Application



planning with upper fascias (continued)

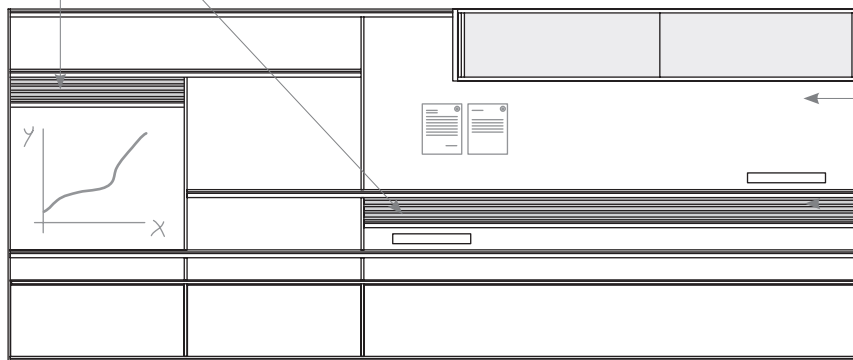
The following should be considered when planning with W/R/S Fascias.

accessory rail



- This product consists of a 6" high rail that can be installed between two consecutive Horizontal Rails mounted anywhere above worksurface level

- Can span full width or have segmented look



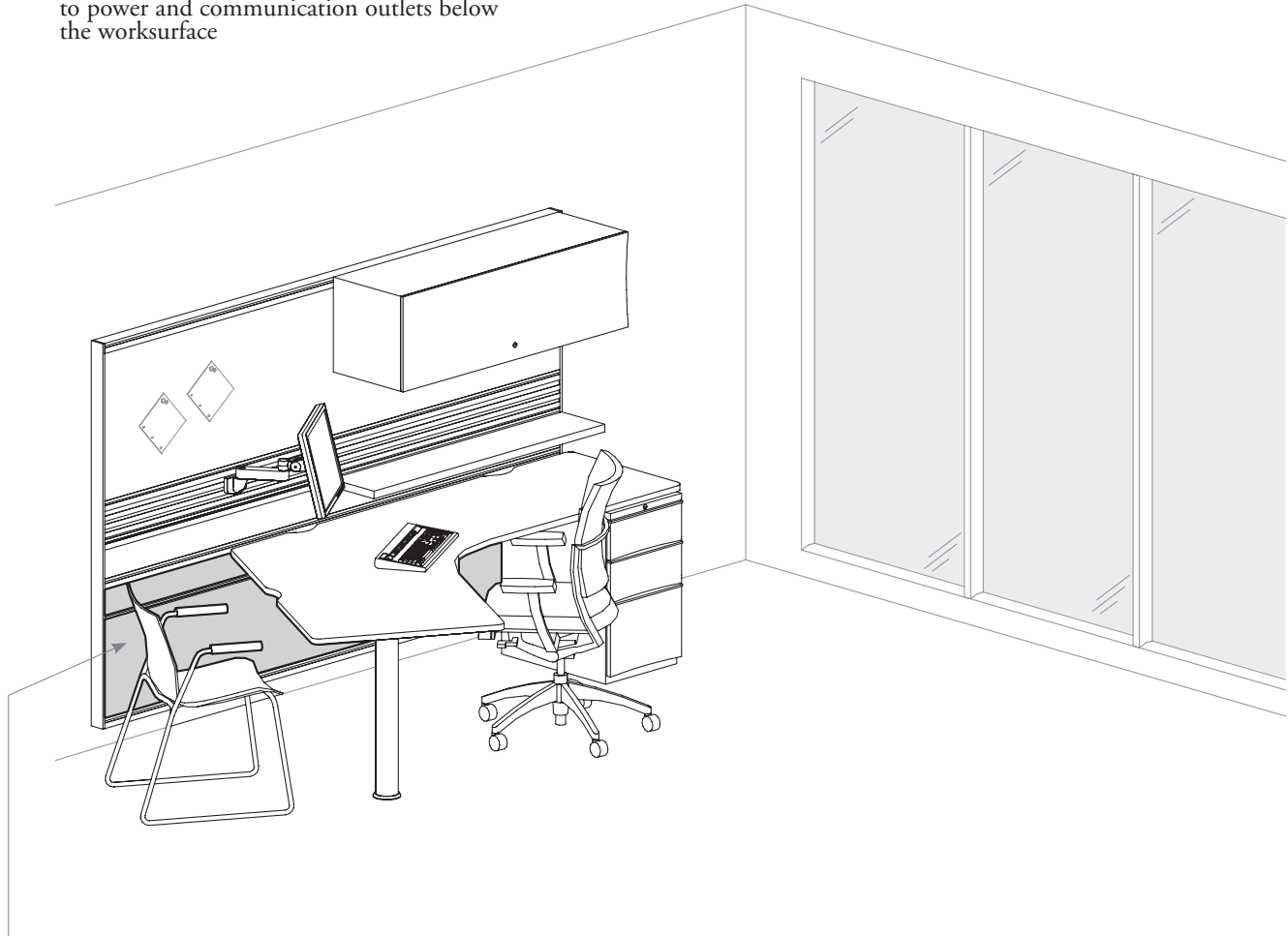
- Can be installed above and/or below Upper Fascias

base fascia basics

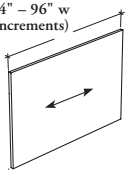
Base Fascias are used to fill the lower of section of the W/R/S Frame and provide a combination of functionality and aesthetics.

- Base Fascia configuration must match with Frame Baseboard configuration
- Transition between two Base Fascias is ensured by a Vertical Linking Strip that must be ordered separately
- Fascias must cover entire Frame structure; no space can be left open
- Base Fascias are not available with cut outs and do not provide direct access to power and communication outlets below the worksurface

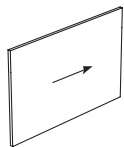
28



24" – 96" w
(in 6" increments)



Laminate Base Fascias (CVBL)



Wood Base Fascias (CVBW)

- Hides and manages wires behind the Frame, while adding aesthetics

- Available in two styles:



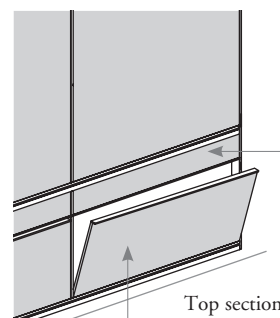
- Standard Baseboard (S) provides a solid fascia without access to building power outlets



- Electrical Pass-Through Baseboard (E) provides access to building power outlets for maintenance and repair

- Laminate Base Fascias are available in Source Laminate finishes
- Wood Base Fascias are available in Flintwood or Natural Veneer finishes
- Pass-Through Extrusion (Electrical Pass-Through Baseboard only) is finished in Clear Anodized

Electrical Pass-Through Baseboard



Top section is fixed

Bottom section is openable to allow access to building power outlets

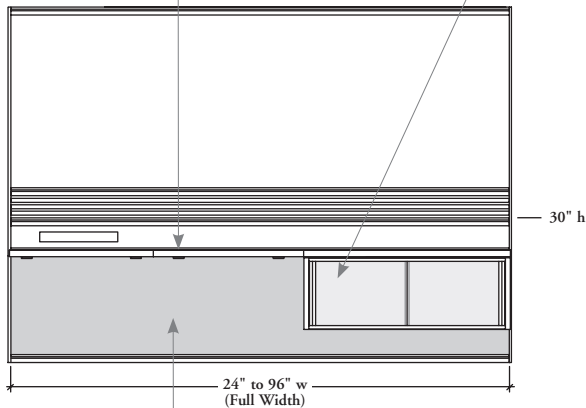
application guide – fascias

planning with base fascias

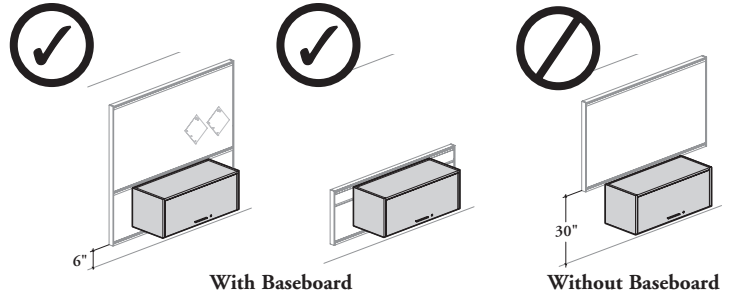
The following should be considered when planning with W/R/S Fascias

Standard Baseboard (S) Option

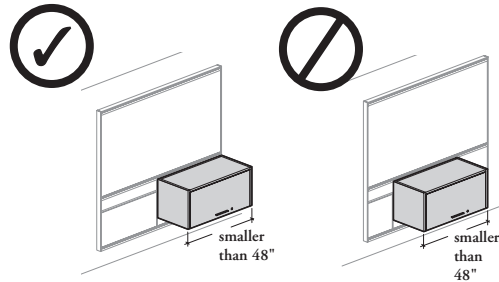
- Used to provide solid Base Fascia
- Does not allow direct access to building power or communication outlets
- Use Upper Fascia with cut outs to provide direct access to power and communication outlets above the worksurface



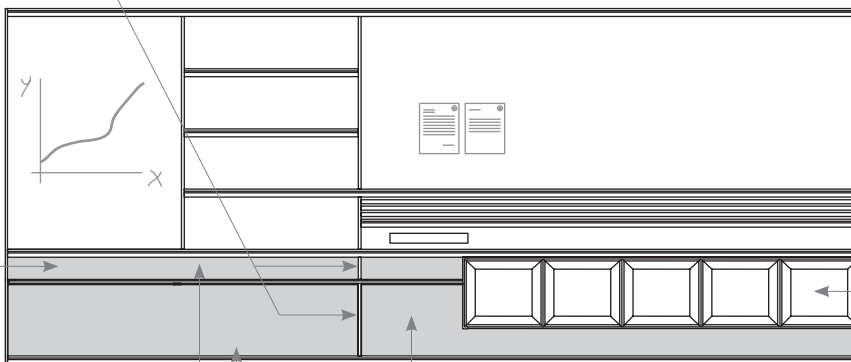
- Overhead Cabinets and Shelves can be mounted on- or off-module



- An Electrical Pass-Through Base Fascia narrower than 48" cannot support a shelf or overhead cabinet positioned in the center of a Frame



- Base Fascias can span full width or can be segmented using a Vertical Linking Strip

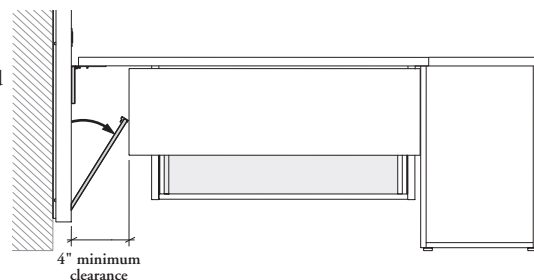


- Power Bar and Cover (CVLP) cannot be installed on a Base Fascia
- Mounting an Overhead Cabinet over a section of the Electrical Pass-Through Baseboard will prevent its opening

Electrical Pass-Through Baseboard (E) Option

- Allows access and maintenance to building power and communication outlets. In some regions used to meet building code requirements
- Comes in top and bottom sections and is separated by a pass-through extrusion that allows the opening of electrical access door to access building power outlets

- A 4" minimum clearance is required between the storage or modesty panel and the W/R/S Frame to open the Electrical Pass-Through Baseboard. For easy access, use a 6" clearance



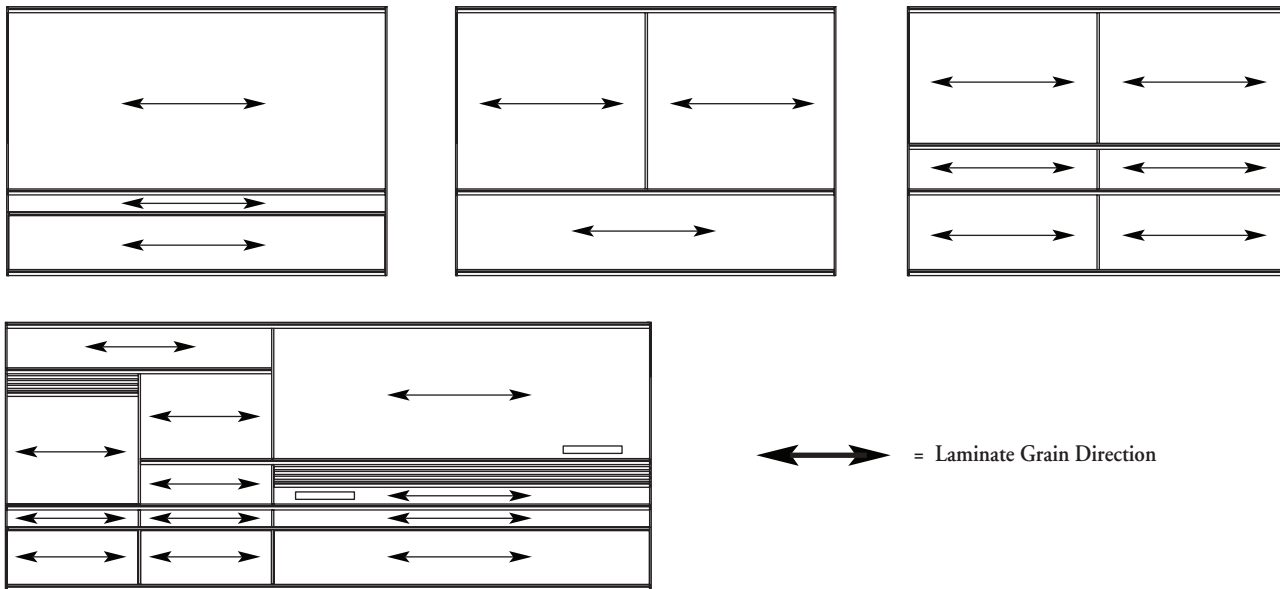
fascia grain/pattern direction

Laminate and Wood Fascias both have horizontal grain direction.

- ❗ Each fascia is independent, there will be no pattern across horizontal or vertical reveals
- Grain/patterns are not "centered" on Fascias

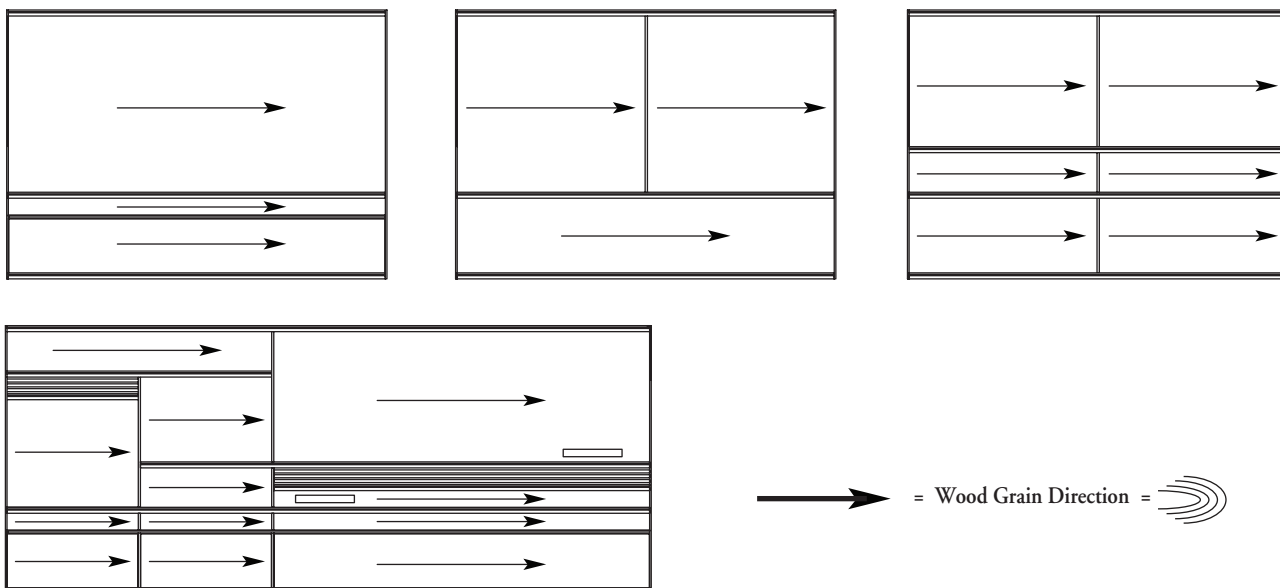
30

laminate fascias (source laminate)



- Grain will appear in the same direction (horizontal) for all Fascias

wood fascias (flintwood and natural veneer)



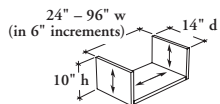
- Grain will appear in the same direction (from left to right) for all Fascias

shelf basics

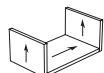
W/R/S offers different shelf types to help define a space's purpose and provide storage capacity.

- Designed to be installed on the W/R/S only
- Comes with preinstalled brackets
- Can be installed on- or off-module anywhere along Horizontal Rails
- Cubby and Floating Shelves have the same load capacity limit; see chart below
- Can be placed above the worksurface on all W/R/S frames
- When mounting at worksurface height, a Frame with Baseboard (S or E) must be specified
- **Cannot** be mounted below a worksurface

32



Laminate Book Shelf (CVSLL)



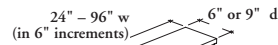
Wood Book Shelf (CVSLW)

Book Shelves

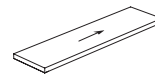
- Provide open storage for documents including both imperial- and metric-size binders
- Meet BIFMA standards for load capacity
- **Cannot** lean on Whiteboard Upper Fascia or Accessory Rail

Floating Shelf and Cubby load capacity limits

Width	lb	kg
24" to 42"	22	10
48" to 66"	33	15
72" to 96"	44	20



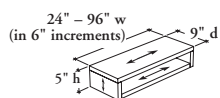
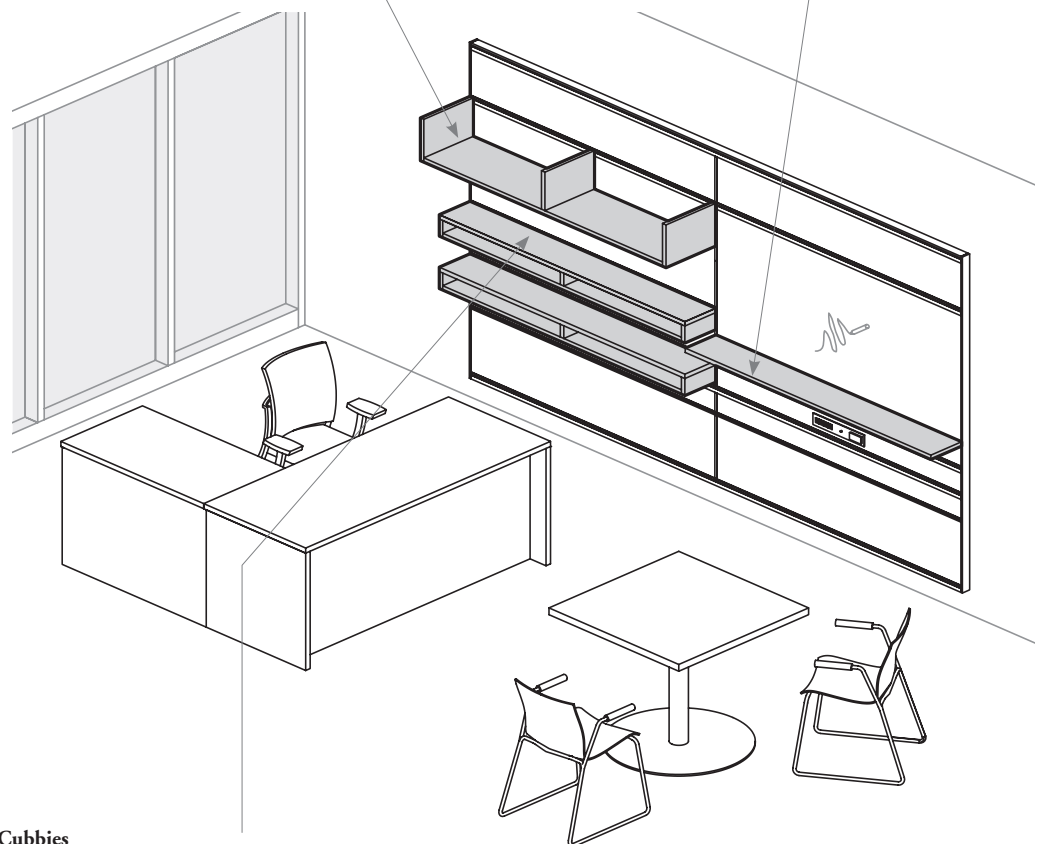
Laminate Floating Shelf (CVSFL)



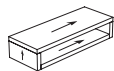
Wood Floating Shelf (CVSFW)

Floating Shelves

- Provide open storage for small items
- 1" thick
- 9" deep Floating Shelves can be used beside Cubbies (CVSCL or CVSCW) to give an even look
- **Cannot** be mounted on an Accessory Rail



Laminate Cubby (CVSCL)



Wood Cubby (CVSCW)

Cubbies

- Provide a 3" high pigeonhole
- Can be used beside 9" deep Floating Shelves (CVSFL or CVSFW) to give an even look
- **Cannot** lean on Whiteboard Upper Fascia or Accessory Rail

Finishes

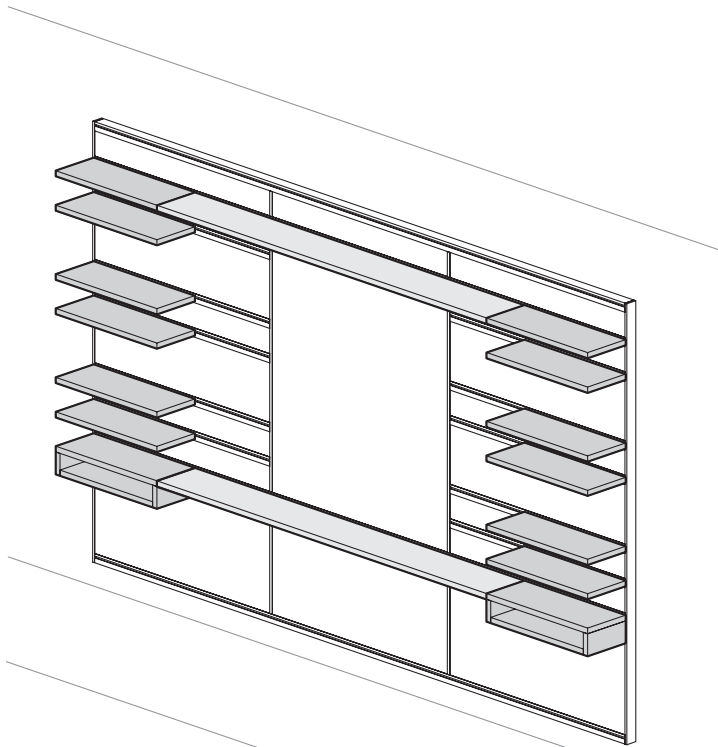
- **Laminate Shelves** are available in Source Laminate finishes
- **Wood Shelves** are available in Flintwood or Natural Veneer finishes

on- or off-module shelf planning

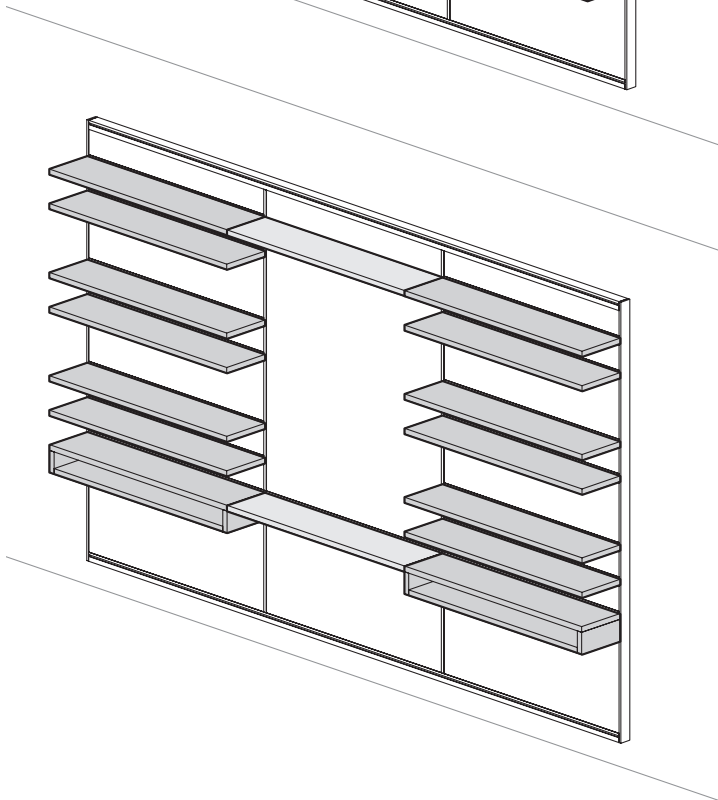
The following typical workstation layouts illustrate the differences between on- and off-module planning with shelves.

- Shelves can be mounted anywhere along the Horizontal Rail for versatility and maximum reconfiguration flexibility
- The choice between on- or off-module planning depends of aesthetics and required functionality

off-module application



on-module application

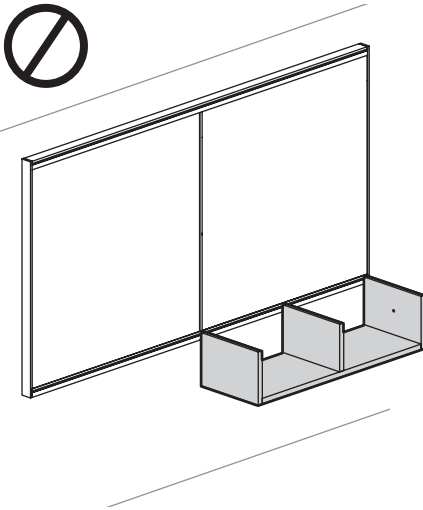


planning with book shelves

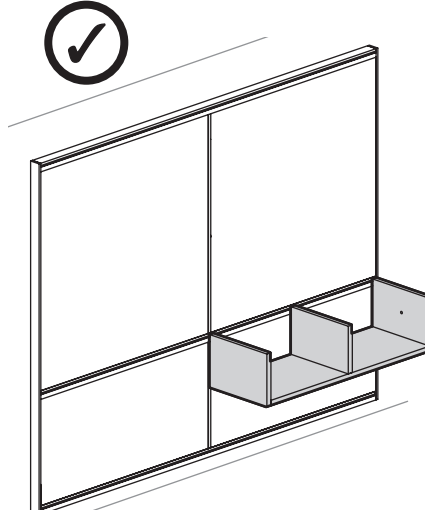
The following should be considered when planning with W/R/S Shelves.

book shelves at worksurface level

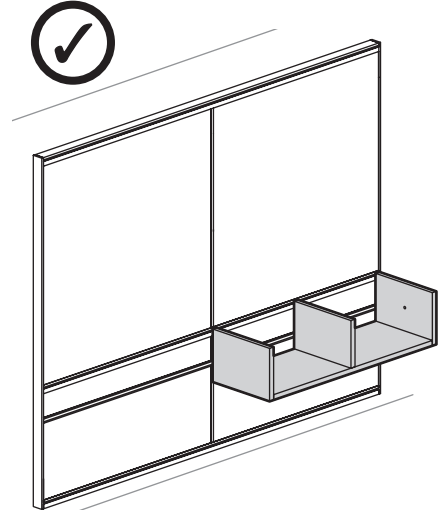
34



A baseboard is required and the Book Shelf must always lean on a Fascia



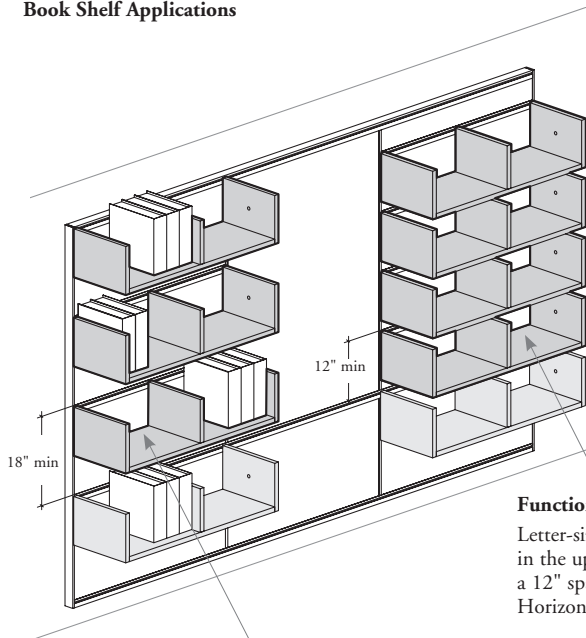
A Standard Baseboard with Fascias is the best solution behind a Book Shelf



An Electrical Pass-Through Baseboard with Fascias can also support a Book Shelf, but the Book Shelf prevents opening of electrical access door

stacking book shelves above other book shelves and above Teknion's overheads or wall-mounted storage

Book Shelf Applications



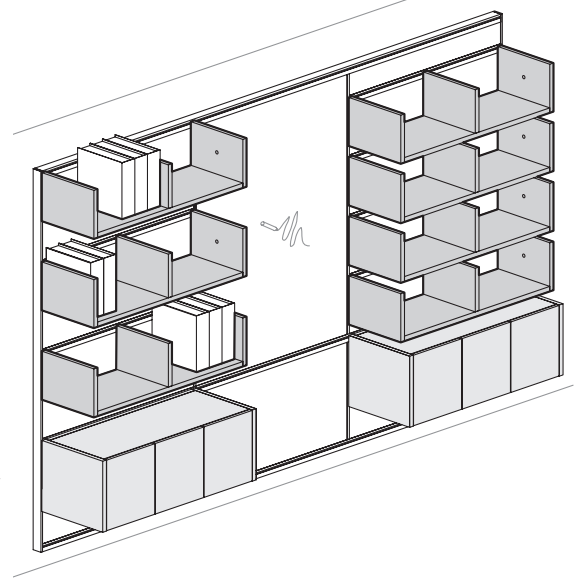
Full Capacity

Storing letter-size binders will be possible using a 18" spacing between supporting Horizontal Rails

Functional Capacity

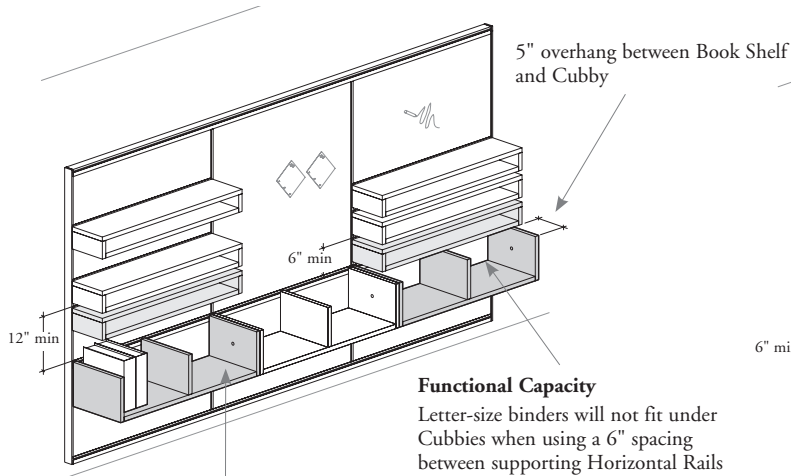
Letter-size binders can be stored only in the upper Shelves when using a 12" spacing between supporting Horizontal Rails

Overhead or Wall-Mounted Storage Applications



planning with book shelves (continued)

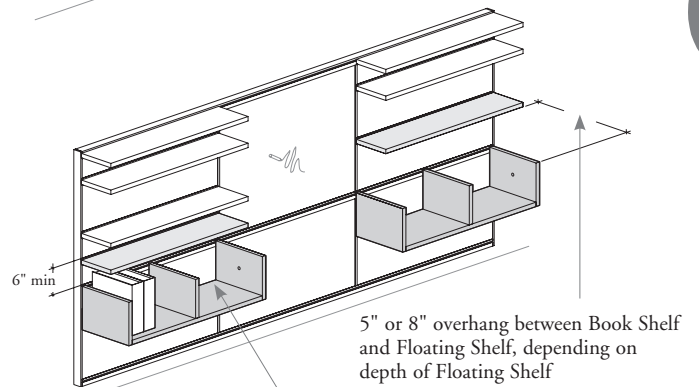
stacking cubbies above book shelves



Functional Capacity
Letter-size binders will not fit under Cubbies when using a 6" spacing between supporting Horizontal Rails

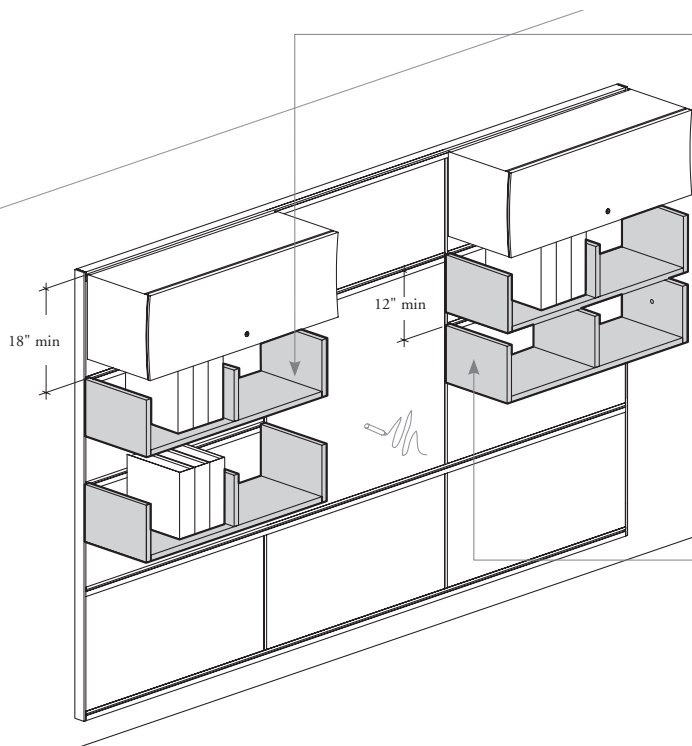
Full Capacity
Storing letter-size binders under Cubbies will be possible using a 12" spacing between supporting Horizontal Rails

stacking floating shelves above loading shelves



Full Capacity
Storing letter-size binders under Floating Shelves will be possible using a 6" spacing between supporting Horizontal Rails

stacking book shelves under Teknion's overheads or wall-mounted storage



- Full Capacity**
- Storing letter-size binders will be possible using a 18" spacing between supporting Horizontal Rails
 - However, the minimum spacing required can vary; see chart below

Overhead Height	Minimum height between Horizontal Rail	
	Functional Capacity	Full Capacity
9"	12"	12"
15"	18"	18"
16 1/2"	18"	24"
17"	18"	24"
19 1/2"	24"	24"
21"	24"	24"

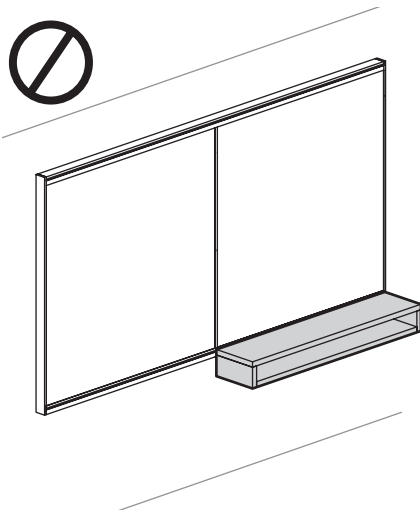
- Functional Capacity**
- Letter-size binders will not fit under Book Shelves when using a 12" spacing between supporting Horizontal Rails
 - However, the minimum spacing required can vary depending on overhead height; see chart above

planning with cubbies

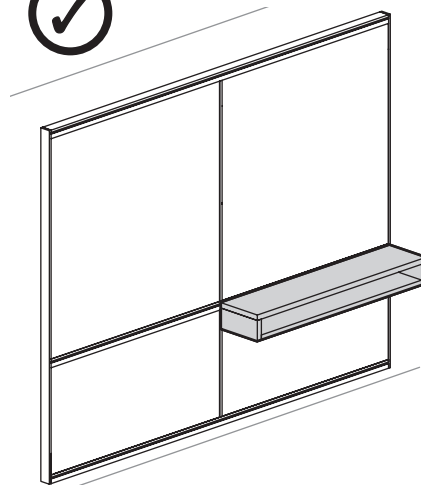
The following should be considered when planning with W/R/S Cubbies.

cubbies at worksurface level

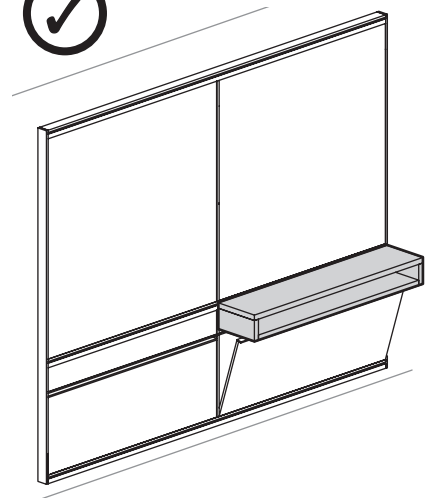
36



A baseboard is required and the Cubby must always lean on a Fascia



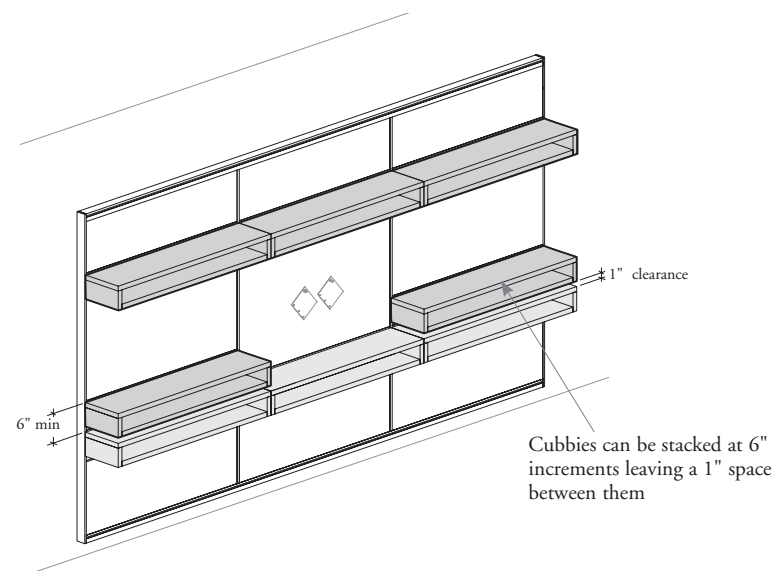
A Standard Baseboard with Fascias is the best solution behind a Cubby



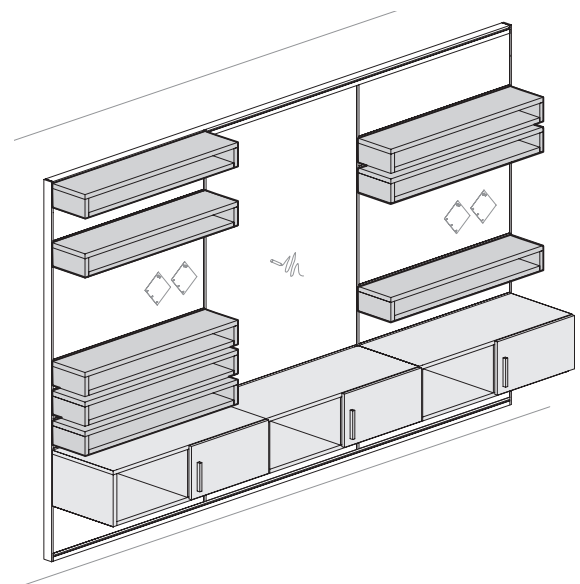
A Fascia with Electrical Pass-Through Baseboard can also support a Cubby

stacking cubbies above other cubbies and above Teknion's overheads or wall-mounted storage

Cubby Applications



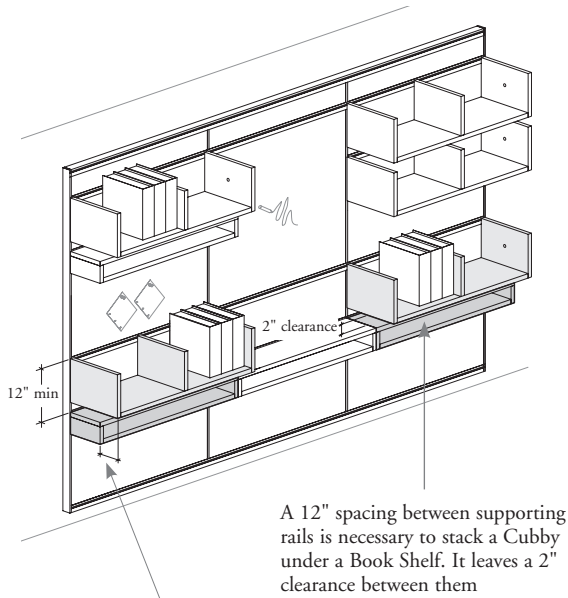
Overhead or Wall-Mounted Storage Applications



application guide – shelves

planning with cubbies (continued)

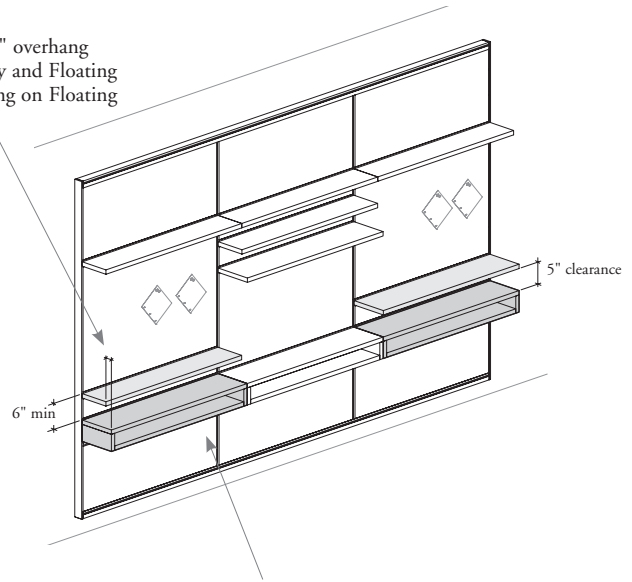
stacking book shelves above cubbies



5" overhang between Cubby and Book Shelf

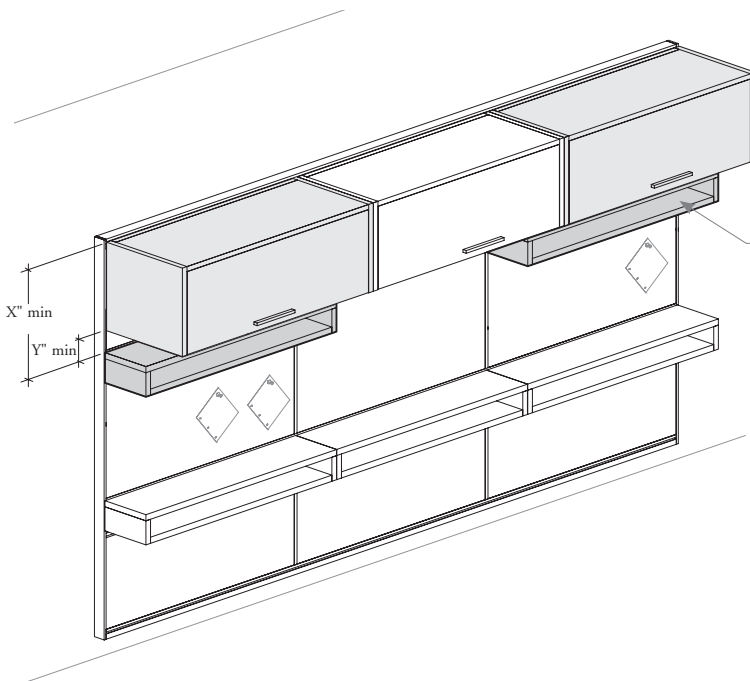
stacking floating shelves above cubbies

Equal size or 3" overhang between Cubby and Floating Shelf, depending on Floating Shelf depth



A 6" spacing between supporting rails is necessary to stack a Cubby under a Floating Shelf. It leaves a 5" clearance between them

stacking cubbies under Teknion's overheads or wall-mounted storage



- Cubbies can be stacked under mounted storage
- The minimum spacing required can vary; see chart below

Overhead Height	'X' minimum height between Horizontal Rail	'Y' Clearance between them
9"	12"	3"
15"	18"	3"
16 1/2"	18"	1 1/2"
17"	18"	1"
19 1/2"	24"	4 1/2"
21"	24"	3"

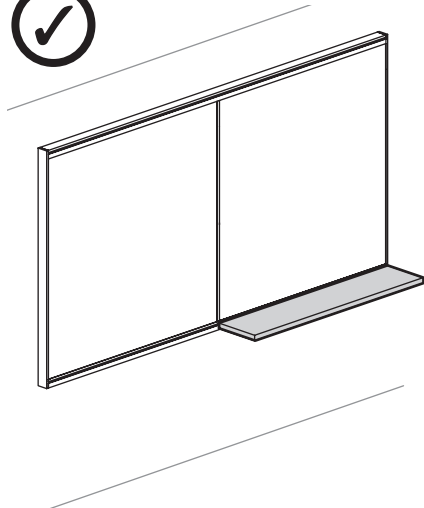
planning with floating shelves

The following should be considered when planning with W/R/S Shelves.

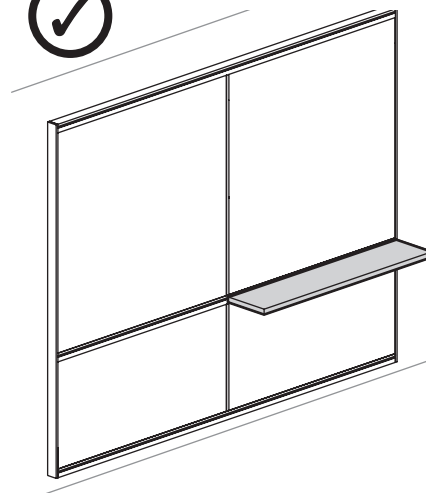
- ◆ • Two depths (6" or 9") are available

floating shelf at worksurface level

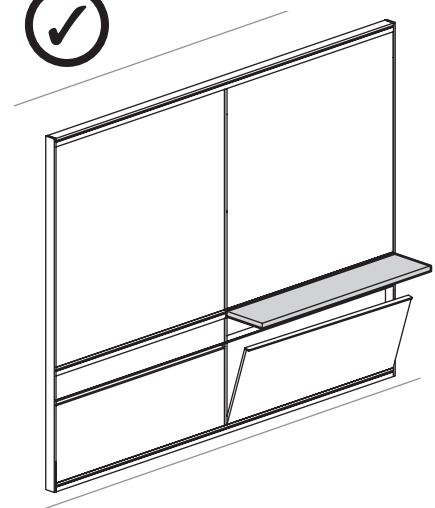
38



Contrary to Book Shelf and Cubby, a Baseboard Fascia is not required

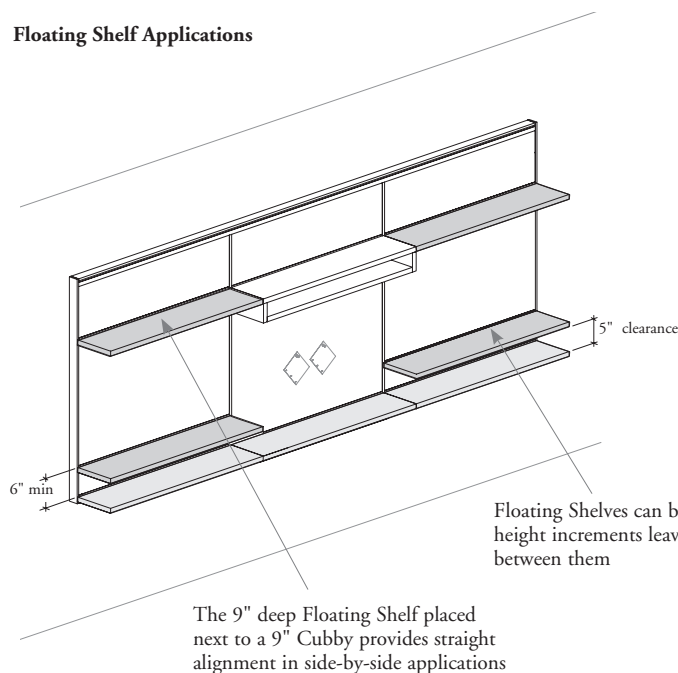


Floating Shelf can be mounted above a Base Fascia with Standard or Electrical Pass-Through Baseboard. It allows the opening of the electrical access door

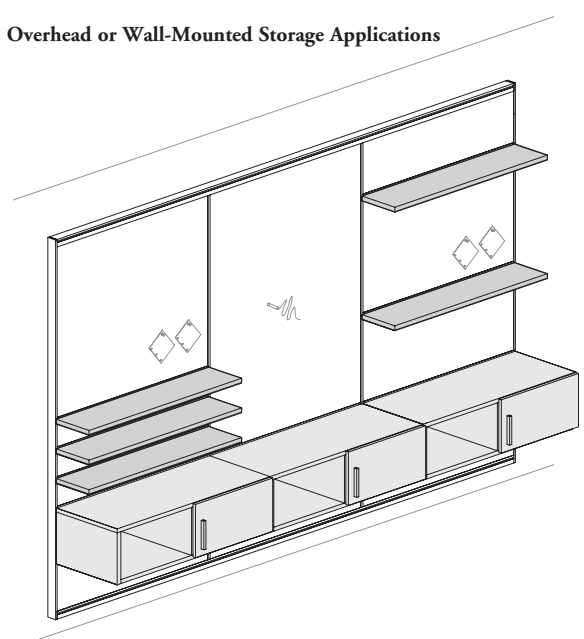


stacking floating shelves above other floating shelves and above Teknion's overheads or wall-mounted storage

Floating Shelf Applications

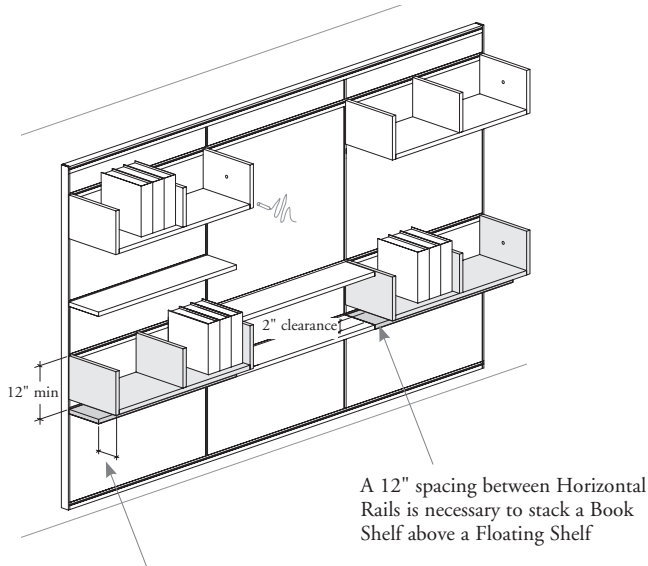


Overhead or Wall-Mounted Storage Applications



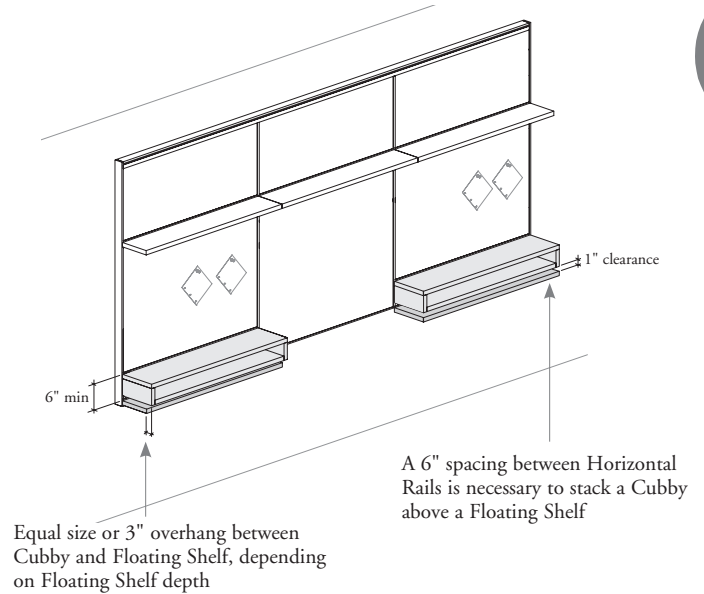
planning with floating shelves (continued)

stacking book shelves above floating shelves



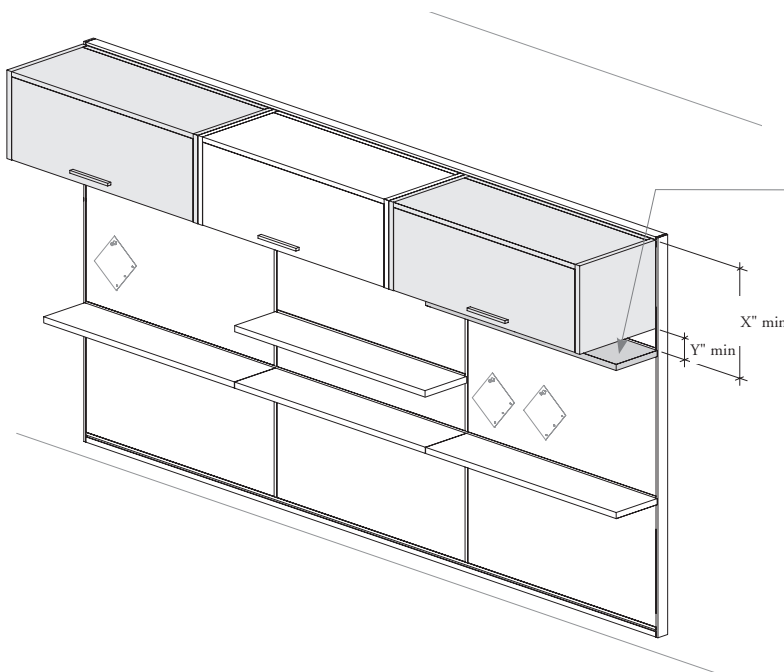
Book Shelf will protrude by 8" (if 6" deep Floating Shelf is specified) or by 5" (if 9" deep Floating Shelf is specified)

stacking cubbies above floating shelves



stacking floating shelves under Teknion's overheads or wall-mounted storage

- See District, Expansion Desking, Filing & Storage, Leverage, and Modena|Umbria|Volterra price & application guide for options available with these product lines



- Floating Shelves can be stacked under mounted storage
- The minimum spacing required can vary; see chart below

Overhead Height	'X' minimum height between Horizontal Rail	'Y' Clearance between them
9"	12"	3"
15"	18"	3"
16 1/2"	18"	1 1/2"
17"	18"	1"
19 1/2"	24"	4 1/2"
21"	24"	3"

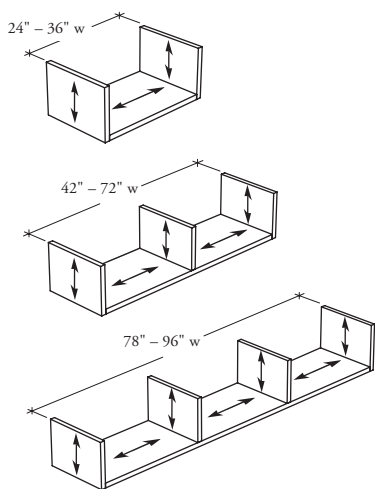
shelves grain/pattern direction

Laminate and Wood Shelves both have long grain direction.

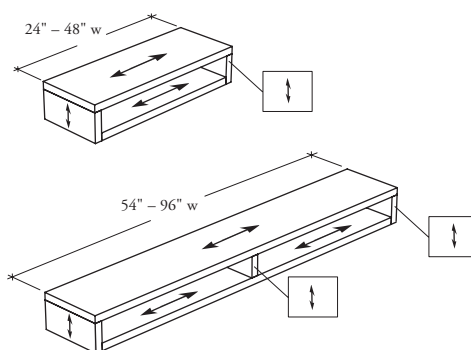
- ❗ Each piece of shelf is independent, there will be no pattern across horizontal or vertical reveals
- Grain/patterns are not "centered" on shelves

laminate shelves (source laminate and foundation laminate)

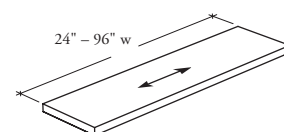
Book Shelves (CVSLL)



Cubbies (CVSCL)



Floating Shelves (CVSFL)

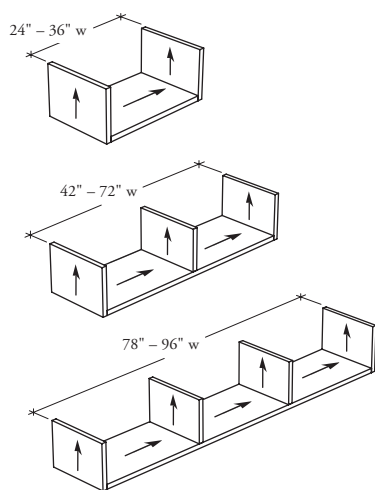


↔ = Laminate Grain Direction

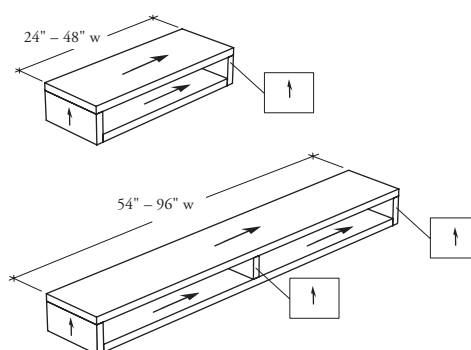
- Grain will appear in the same direction (horizontal) for all Shelves

wood shelves (flintwood and natural veneer)

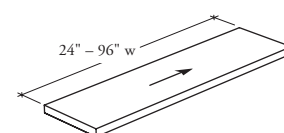
Book Shelves (CVSLW)



Cubbies (CVSCW)



Floating Shelves (CVSFW)



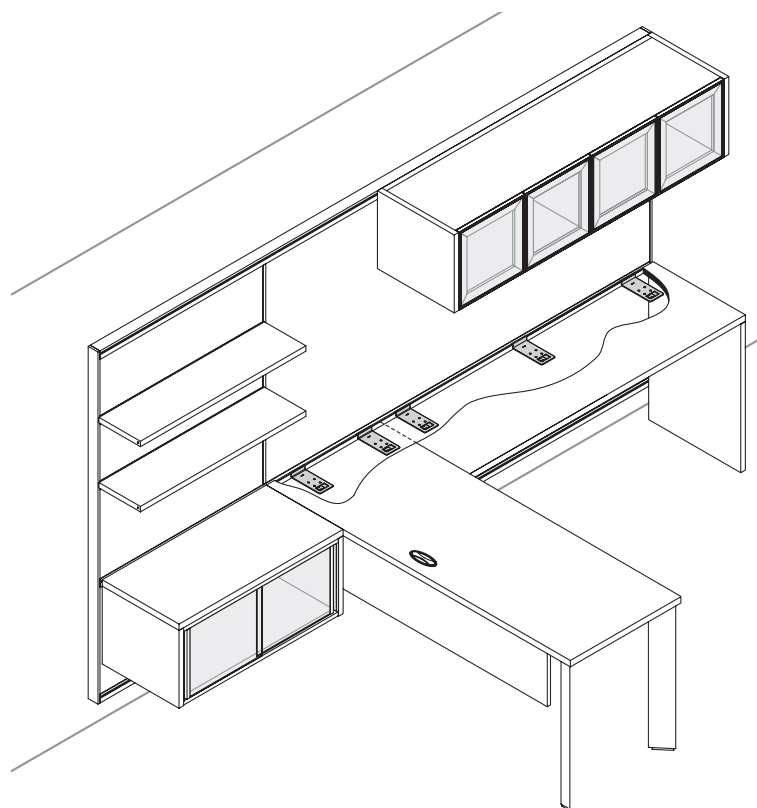
→ = Wood Grain Direction = 

- Grain will appear in the same direction (left to right) for all Shelves

worksurface bracket basics

A broad range of Teknion worksurfaces can be mounted on the W/R/S Frame. Off-module Mounted Worksurface Brackets are connectors that attach a worksurface to the Frame.

- Mounted Worksurface Brackets are compatible with Teknion standard products (style S) or Modena|Volterra|Umbria (style W). The product style must be specified
- Refer to appropriate Teknion Application Guide (Leverage, District, and Expansion Desking) for specific worksurface support options and guidelines



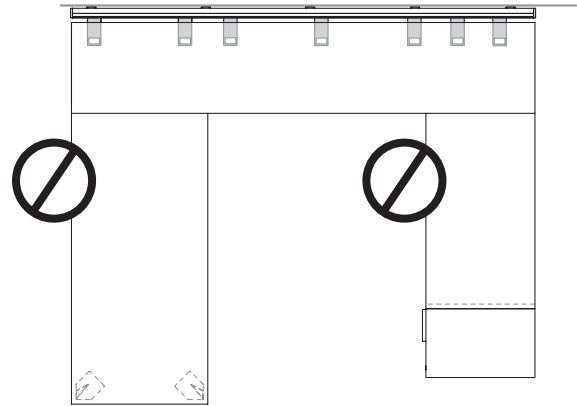
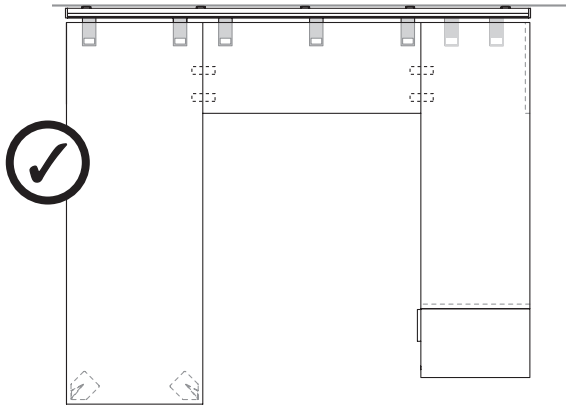
Mounted Worksurface Brackets (CVWB)

- Must be mounted at worksurface-level on Horizontal Rail and can be connected at any point along the width of the worksurface
- The maximum distance between two brackets is 48"
- Finished in Platinum
- Worksurfaces must be directly installed on the horizontal rail; not connected to another worksurface

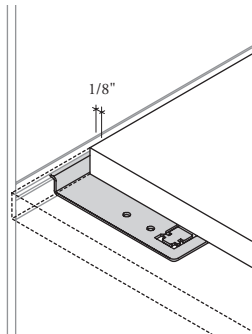
application guide – worksurface supports

planning with worksurface brackets

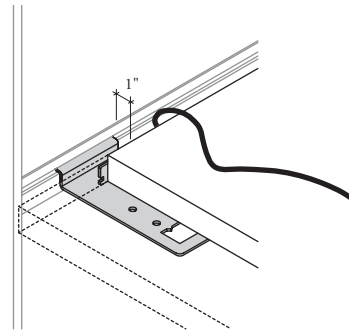
The following should be considered when planning with Mounted Worksurface Brackets.



Brackets allow two positions between worksurface and Frame:



– 1/8" gap prevents access to wires under the worksurface



– 1" gap provides openings for electrical wiring and communication cables

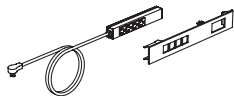
electrical component basics

W/R/S offers options for adding power and communications to a workstation.

! Position of electrical and communication outlets on the building wall must be taken into account before planning electrics

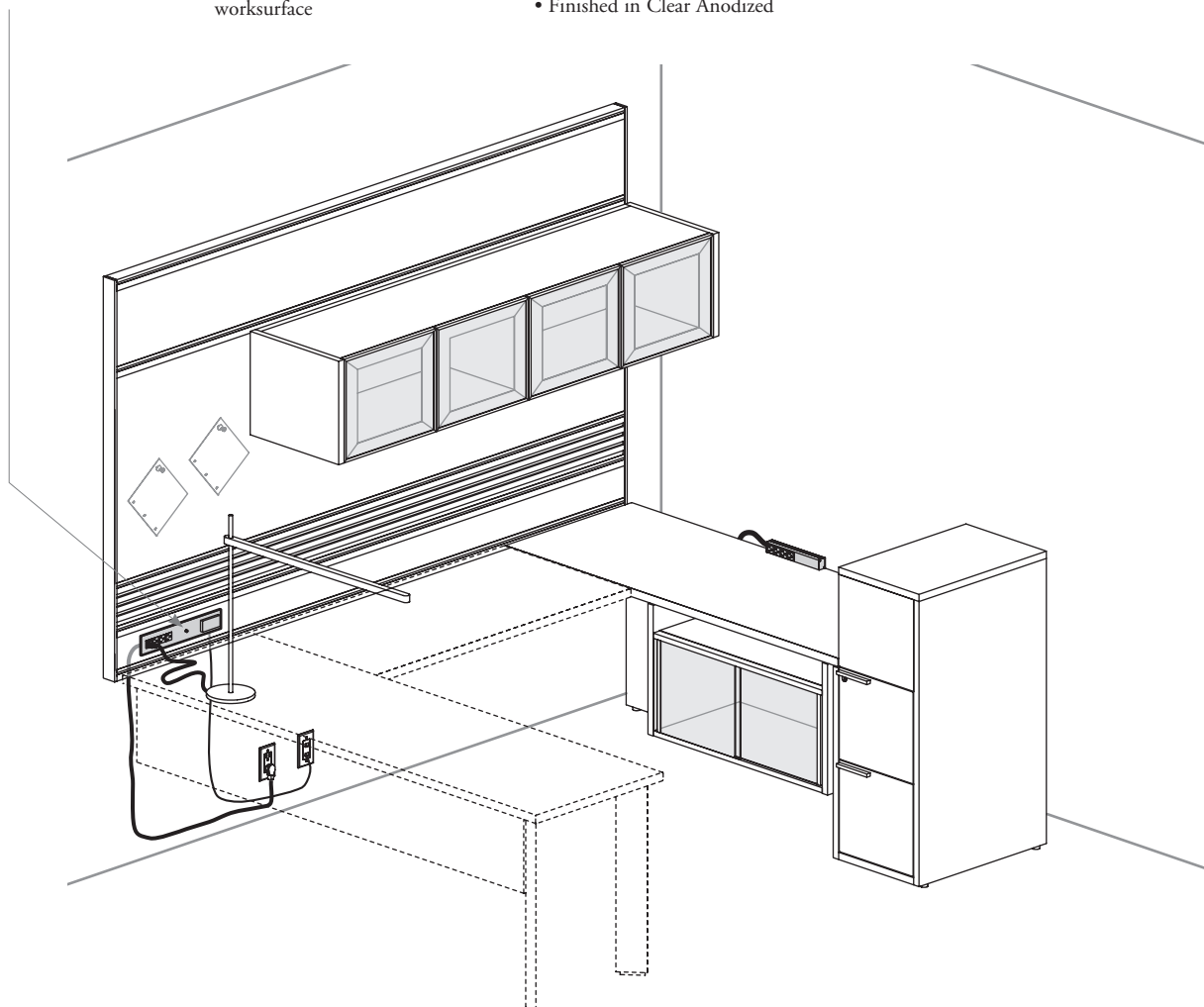
above worksurface

44



Power Bar and Cover (CVLP)

- Should be specified with Upper Fascia with cut outs to provide direct access to power and communication outlets only above the worksurface
- Cut outs can be specified left, right, center or left and right on the Upper Fascias and are always horizontal; see Fascias section for details
- Provides four grey outlets and one 69 mm x 35 mm communication opening above the worksurface height
- When a Power Bar and Cover are used with an Upper Fascia with Cut Out, there is no restriction on frame type to route power to building power outlets below the worksurface
- Data box position is non-handed
- Voice/data jacks and faceplates are not included
- Wire will be hidden behind the Fascia when a frame with baseboard is specified to reach the building power outlets
- Finished in Clear Anodized



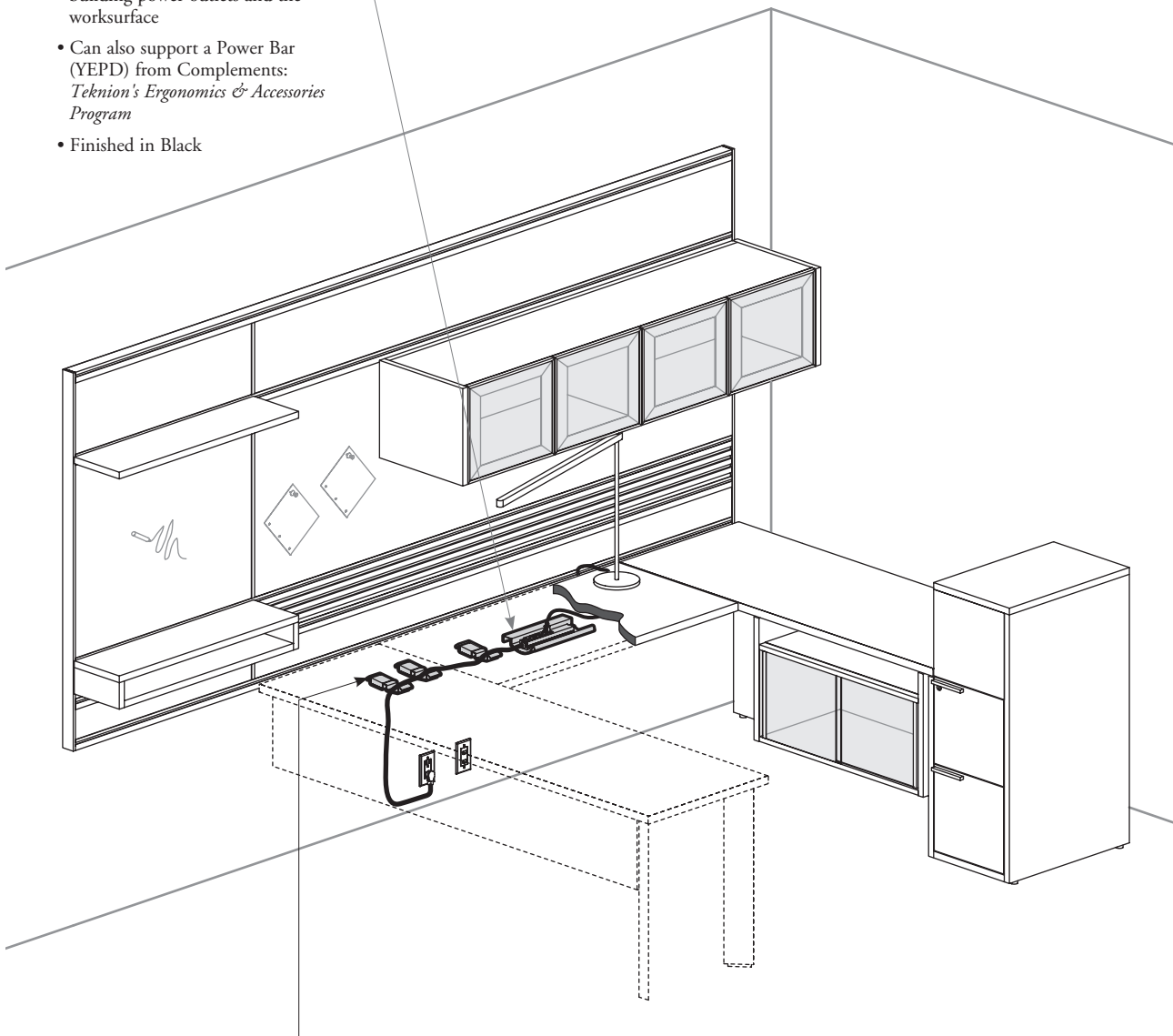
electrical component basics (continued)

below worksurface

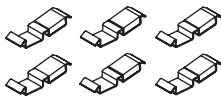


Wire Tray (CVLT)

- Mounted under a worksurface to manage extra wires between the building power outlets and the worksurface
- Can also support a Power Bar (YEPD) from Complements: *Teknion's Ergonomics & Accessories Program*
- Finished in Black



Other option available for casual wiring



Worksurface Wire Clips (YESW)

- Only available from Complements: *Teknion's Ergonomics & Accessories Program*
- Package of six undersurface cable clips that can be installed on the underside of a worksurface
- Provide two separate channels, one to run electrical and another to run communications cables
- The communications channel has a built-in soft sponge to protect the cables

access to building outlets

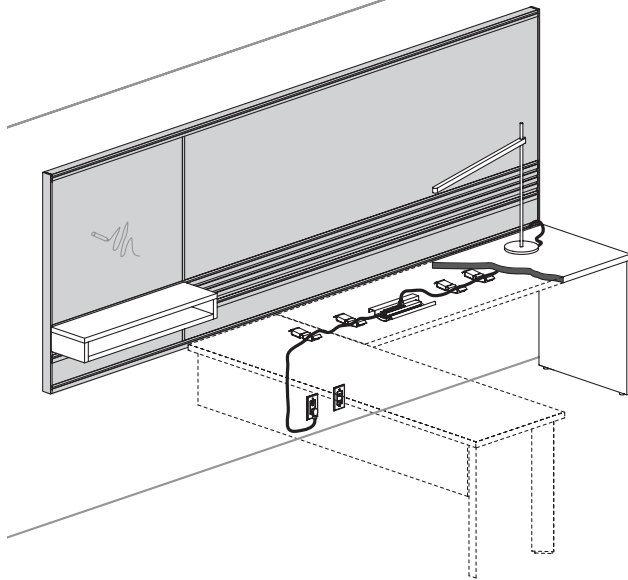
W/R/S offers options to route power and communication from the building wall to the workstation, without using an integrated Power Bar and Cover (CVLP) in a Upper Fascia with cut outs.

- Particular attention should be paid to the selection of electrical components to fit with Frame configuration
- Contractor provides all electrical components for building wall
- Electrics are accessible at worksurface height by specifying a W/R/S Fascia and Power Bar or installing a Power Rod (YEPD) available from Complements: *Teknion's Ergonomics & Accessories Program*

46

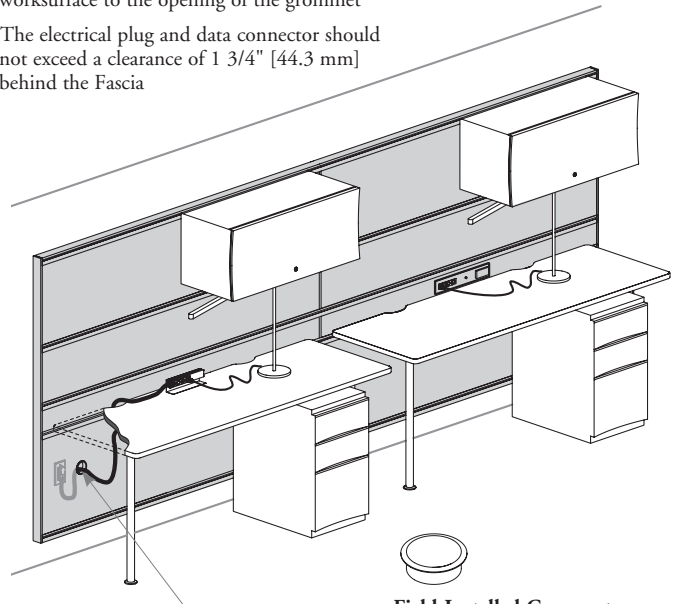
no baseboard configuration

No Baseboard Frame allows direct access to building power and communication outlets



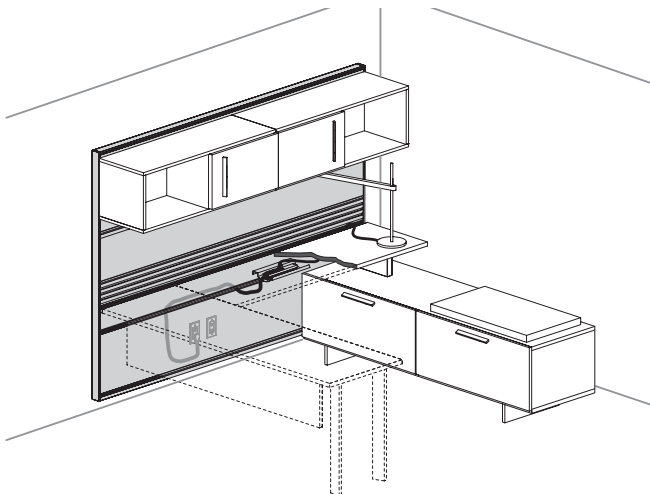
standard baseboard configuration

- Allow to manage the wire of a W/R/S Power Bar only. **Cannot** manage wires from Complements Power Bars or any other end user electrical components
- **Cannot** have access to building power and communication outlets by the Base Fascia, except when a Field-Installed Grommet is used. The wires will be visible below the worksurface to the opening of the grommet
- The electrical plug and data connector should not exceed a clearance of 1 3/4" [44.3 mm] behind the Fascia



electrical pass-through baseboard configuration

- Electrical Pass-Through Base Fascia allows direct access to building power outlets by using the access door. The access door provide an easy access for maintenance or to meet specific regional building code requirements
- Allow to manage all wires coming from a W/R/S or Complements Power Bars, or any other end user electrical components. Wires will be hidden behind the lower fascia
- The electrical plug and data connector should not exceed a clearance of 1 3/4" [44.3 mm] behind the Baseboard



Field-Installed Grommet (CVLG)

- Provides opening for electrical wiring and communication cables through Base Fascia
- Can also be used on worksurface
- The Fascia does not come with the grommet cut out. A 60 mm hole must be drilled on-site
- Both grommets fit in a 60 mm hole
- Plastic Grommet is finished in Black
- Metal Grommet is finished in a Platinum Coordinate

wiring from under to above worksurface

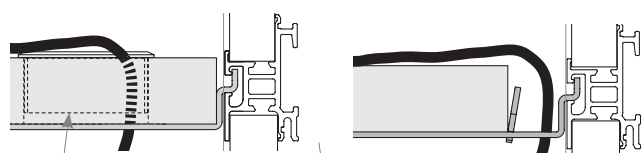
W/R/S offers options for adding power and communications on the worksurface and to mounted storage.

Mounted Worksurface Brackets (CVWB)

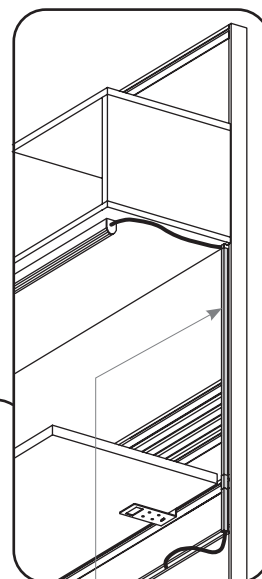
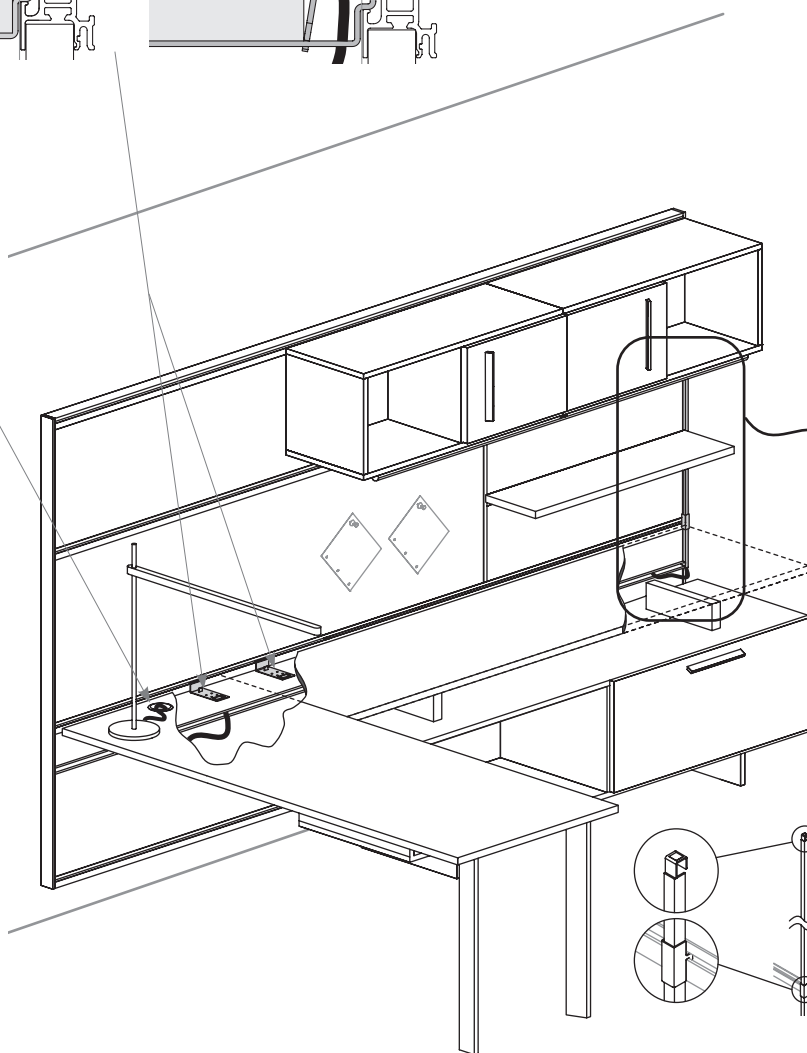
• The brackets allow two positions between worksurface and W/R/S Frame for wiring from under to above worksurface:

– 1/8" gap does not allow wiring from under worksurface; use the worksurface grommet (if applicable) or the Field-Installed Grommet (CVLG)

– 1" gap provides opening for electrical wiring and communication cables from under worksurface



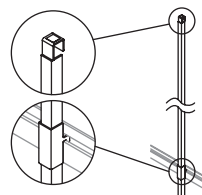
Grommet



Bottom View

Mounted Storage Wire Cover (CVLC)

- To conceal and route lighting cable vertically below the worksurface. 1" gap position on Mounted Worksurface Bracket is mandatory for this application
- Mounts on Upper Fascia and attaches on Horizontal Rail, under a overhead and down to Electrical Pass-Through Baseboard, if desired
- Finished in Clear Anodized Aluminum



price guide

price guide

STRUCTURE	51
FASCIAS	61
SHELVES	81
WORKSURFACE SUPPORTS	91
ELECTRICS	97

structure

structure

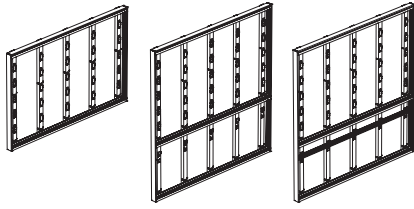
PRODUCT MAP53

PRODUCT LISTING54

product map

CVFF Frame

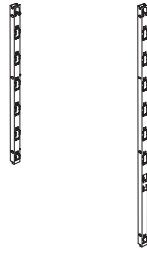
Page 54
Height: 30" – 84" / Width: 48" – 240"



No Baseboard Standard Baseboard Electrical Pass-Through Baseboard

CVFV Vertical Support

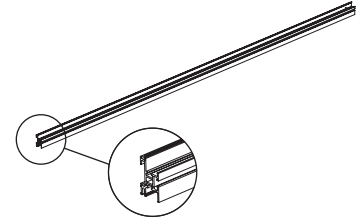
Page 56
Height: 30" – 84"



No Baseboard With Baseboard

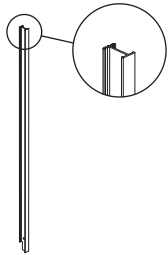
CVFHR Intermediate Horizontal Rail

Page 57
Width: 30" – 240"



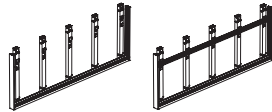
CVFLS Vertical Linking Strip

Page 58
Height: 6" – 54" / SB or EB



CVFB Base Frame Add-On Kit

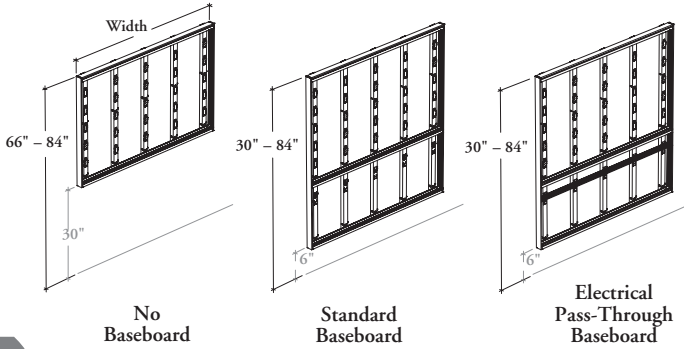
Page 59
Width: 48" – 240"



Standard Baseboard Electrical Pass-Through Baseboard

CVFF

Frame



Main structure supporting all fascias and accessories.

WHAT'S INCLUDED

1 top horizontal rail, 1 worksurface-level horizontal rail, 1 baseboard bottom horizontal rail (if specified) and 1 electrical pass-through baseboard extrusion (if specified), 2 vertical end covers, vertical structures, and hardware.

WHAT'S EXCLUDED

Wall Anchors.

NOTES

All horizontal rails and extrusions come in more than one piece for frames wider than 96\"/>

Frames are supplied with enough vertical structures to ensure a maximum of 24\"/>

If your local authority requires the use of additional vertical structures, you can order them separately (CVFV).

PRODUCT OPTIONS

Baseboard Configuration	Height	Width	Finish
N No Baseboard S Standard Baseboard E Electrical Pass-Through Baseboard	30, 66, 72, 84	048, 054, 060, 066, 072, 078, 084, 090, 096, 102, 108, 114, 120, 126, 132, 138, 144, 150, 156, 162, 168, 174, 180, 186, 192, 198, 204, 210, 216, 222, 228, 234, 240	AC Clear Anodized

SAMPLE ORDER CODE

CVFF S	66	084	AC
---------------	-----------	------------	-----------

DIMENSIONS INCHES / MM

H	W
30 / 762	48 / 1219
30 / 762	54 / 1372
30 / 762	60 / 1524
30 / 762	66 / 1676
30 / 762	72 / 1829
30 / 762	78 / 1981
30 / 762	84 / 2134
30 / 762	90 / 2286
30 / 762	96 / 2438
30 / 762	102 / 2591
30 / 762	108 / 2743
30 / 762	114 / 2896
30 / 762	120 / 3048
30 / 762	126 / 3200
30 / 762	132 / 3353
30 / 762	138 / 3505
30 / 762	144 / 3658
30 / 762	150 / 3810
30 / 762	156 / 3962
30 / 762	162 / 4115
30 / 762	168 / 4267
30 / 762	174 / 4420
30 / 762	180 / 4572
30 / 762	186 / 4724
30 / 762	192 / 4877

PRICING

No Baseboard (N)	Standard Baseboard (S)	Electrical Pass-Through Baseboard (E)
n/a	779	907
n/a	877	1013
n/a	916	1065
n/a	958	1122
n/a	999	1173
n/a	1095	1280
n/a	1135	1333
n/a	1179	1388
n/a	1218	1440
n/a	1508	1788
n/a	1547	1840
n/a	1591	1897
n/a	1630	1947
n/a	1727	2057
n/a	1767	2107
n/a	1809	2164
n/a	1849	2216
n/a	1946	2323
n/a	1986	2375
n/a	2029	2431
n/a	2069	2482
n/a	2165	2593
n/a	2206	2642
n/a	2248	2697
n/a	2288	2750

DIMENSIONS INCHES / MM

H	W
30 / 762	198 / 5029
30 / 762	204 / 5182
30 / 762	210 / 5334
30 / 762	216 / 5486
30 / 762	222 / 5639
30 / 762	228 / 5791
30 / 762	234 / 5944
30 / 762	240 / 6096
66 / 1676	48 / 1219
66 / 1676	54 / 1372
66 / 1676	60 / 1524
66 / 1676	66 / 1676
66 / 1676	72 / 1829
66 / 1676	78 / 1981
66 / 1676	84 / 2134
66 / 1676	90 / 2286
66 / 1676	96 / 2438
66 / 1676	102 / 2591
66 / 1676	108 / 2743
66 / 1676	114 / 2896
66 / 1676	120 / 3048
66 / 1676	126 / 3200
66 / 1676	132 / 3353
66 / 1676	138 / 3505

PRICING (CONTINUED)

No Baseboard (N)	Standard Baseboard (S)	Electrical Pass-Through Baseboard (E)
n/a	2540	3053
n/a	2580	3105
n/a	2625	3161
n/a	2664	3213
n/a	2760	3321
n/a	2799	3372
n/a	2844	3428
n/a	2884	3480
816	1436	1604
876	1483	1660
937	1534	1717
994	1586	1776
1057	1636	1832
1116	1687	1890
1177	1738	1947
1236	1788	2003
1298	1840	2062
1357	1893	2120
1418	1942	2175
1478	1994	2232
1540	2045	2290
1600	2096	2348
1660	2149	2405
1719	2197	2462

Pricing is continued on the following page.

**CVFF
Frame (Continued)**

**DIMENSIONS
INCHES / MM**

H	W
66 / 1676	144 / 3658
66 / 1676	150 / 3810
66 / 1676	156 / 3962
66 / 1676	162 / 4115
66 / 1676	168 / 4267
66 / 1676	174 / 4420
66 / 1676	180 / 4572
66 / 1676	186 / 4724
66 / 1676	192 / 4877
66 / 1676	198 / 5029
66 / 1676	204 / 5182
66 / 1676	210 / 5334
66 / 1676	216 / 5486
66 / 1676	222 / 5639
66 / 1676	228 / 5791
66 / 1676	234 / 5944
66 / 1676	240 / 6096
72 / 1829	48 / 1219
72 / 1829	54 / 1372
72 / 1829	60 / 1524
72 / 1829	66 / 1676
72 / 1829	72 / 1829
72 / 1829	78 / 1981
72 / 1829	84 / 2134
72 / 1829	90 / 2286
72 / 1829	96 / 2438
72 / 1829	102 / 2591
72 / 1829	108 / 2743
72 / 1829	114 / 2896
72 / 1829	120 / 3048
72 / 1829	126 / 3200
72 / 1829	132 / 3353
72 / 1829	138 / 3505
72 / 1829	144 / 3658
72 / 1829	150 / 3810
72 / 1829	156 / 3962
72 / 1829	162 / 4115
72 / 1829	168 / 4267
72 / 1829	174 / 4420
72 / 1829	180 / 4572
72 / 1829	186 / 4724
72 / 1829	192 / 4877
72 / 1829	198 / 5029
72 / 1829	204 / 5182
72 / 1829	210 / 5334
72 / 1829	216 / 5486
72 / 1829	222 / 5639
72 / 1829	228 / 5791
72 / 1829	234 / 5944
72 / 1829	240 / 6096

PRICING (CONTINUED)

No Baseboard (N)	Standard Baseboard (S)	Electrical Pass-Through Baseboard (E)
1781	2250	2520
1841	2404	2692
1902	2557	2863
1962	2710	3036
2024	2863	3206
2086	3016	3378
2143	3170	3549
2204	3323	3722
2266	3477	3894
2326	3632	4065
2386	3783	4236
2447	3936	4408
2506	4091	4581
2568	4242	4752
2628	4396	4922
2689	4551	5094
2749	4702	5267
867	1511	1691
928	1562	1748
989	1610	1805
1051	1661	1861
1110	1713	1920
1172	1765	1976
1232	1814	2032
1292	1866	2091
1352	1918	2149
1414	1969	2204
1474	2020	2261
1534	2070	2319
1594	2122	2376
1656	2172	2434
1715	2224	2491
1776	2275	2547
1836	2326	2604
1898	2480	2778
1957	2632	2948
2018	2787	3122
2077	2940	3292
2139	3093	3464
2198	3248	3636
2259	3400	3807
2319	3551	3980
2382	3706	4152
2441	3860	4322
2502	4013	4495
2562	4167	4666
2624	4319	4839
2684	4473	5010
2745	4626	5181
2802	4780	5353

**DIMENSIONS
INCHES / MM**

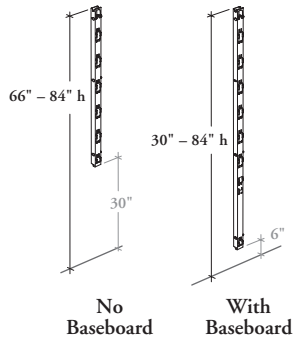
H	W
84 / 2134	48 / 1219
84 / 2134	54 / 1372
84 / 2134	60 / 1524
84 / 2134	66 / 1676
84 / 2134	72 / 1829
84 / 2134	78 / 1981
84 / 2134	84 / 2134
84 / 2134	90 / 2286
84 / 2134	96 / 2438
84 / 2134	102 / 2591
84 / 2134	108 / 2743
84 / 2134	114 / 2896
84 / 2134	120 / 3048
84 / 2134	126 / 3200
84 / 2134	132 / 3353
84 / 2134	138 / 3505
84 / 2134	144 / 3658
84 / 2134	150 / 3810
84 / 2134	156 / 3962
84 / 2134	162 / 4115
84 / 2134	168 / 4267
84 / 2134	174 / 4420
84 / 2134	180 / 4572
84 / 2134	186 / 4724
84 / 2134	192 / 4877
84 / 2134	198 / 5029
84 / 2134	204 / 5182
84 / 2134	210 / 5334
84 / 2134	216 / 5486
84 / 2134	222 / 5639
84 / 2134	228 / 5791
84 / 2134	234 / 5944
84 / 2134	240 / 6096

PRICING

No Baseboard (N)	Standard Baseboard (S)	Electrical Pass-Through Baseboard (E)
922	1589	1779
983	1638	1836
1044	1687	1890
1105	1738	1947
1165	1788	2003
1226	1840	2062
1287	1893	2120
1348	1942	2175
1407	1994	2232
1469	2045	2290
1529	2096	2348
1589	2149	2405
1649	2197	2462
1711	2250	2520
1772	2300	2576
1831	2353	2633
1891	2404	2692
1953	2557	2863
2013	2710	3036
2072	2863	3206
2133	3016	3378
2193	3170	3549
2255	3323	3722
2315	3477	3894
2375	3632	4065
2435	3783	4236
2497	3936	4408
2557	4091	4581
2619	4242	4752
2675	4396	4922
2738	4551	5094
2797	4702	5267
2858	4856	5440

CVFV

Vertical Support



This product provides additional wall support when required by the wall condition or a local authority.

WHAT'S INCLUDED

1 vertical support, ergonomic washers, and pull.

WHAT'S EXCLUDED

Wall Anchors.

NOTES

Height and Baseboard configuration must match with Frame.

56

PRODUCT OPTIONS

Baseboard Configuration	Height
N No Baseboard	30, 66, 72, 84
B With Baseboard	

SAMPLE ORDER CODE

CVFV B	66
---------------	-----------

DIMENSIONS
INCHES / MM

H
30 / 762
66 / 1676
72 / 1829
84 / 2134

PRICING

No Baseboard (N)	With Baseboard (B)
n/a	84
145	160
150	170
170	193

This product provides a finished horizontal transition between Fascias and supports a variety of storage, Fascias and accessories in an off-modularity fashion.

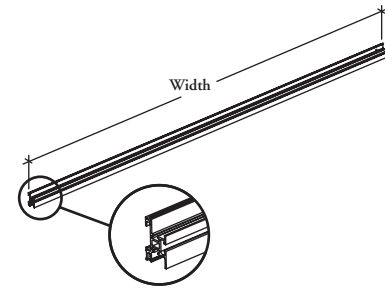
WHAT'S INCLUDED

1 horizontal rail and hardware.

NOTES

All horizontal rails come in more than one piece when specified wider than 96".

CVFHR
Intermediate Horizontal Rail



PRODUCT OPTIONS

Width	Attachment Condition	Finish
030, 036, 042, 048, 054, 060, 066, 072, 078, 084, 090, 096, 102, 108, 114, 120, 126, 132, 138, 144, 150, 156, 162, 168, 174, 180, 186, 192, 198, 204, 210, 216, 222, 228, 234, 240	EE End Cover to End Cover EL End Cover to Linking Strip LL Linking Strip to Linking Strip	AC Clear Anodized

SAMPLE ORDER CODE

CVFHR 204	EL	AC
-----------	----	----

DIMENSIONS INCHES / MM

W	End Cover to End Cover (EE)	End Cover to Linking Strip (EL)	Linking Strip to Linking Strip (LL)
30 / 762	n/a	166	240
36 / 914	n/a	178	250
42 / 1067	n/a	189	262
48 / 1219	126	198	273
54 / 1372	137	211	285
60 / 1524	150	221	294
66 / 1676	160	233	306
72 / 1829	171	244	317
78 / 1981	184	256	328
84 / 2134	193	267	339
90 / 2286	205	279	351
96 / 2438	216	288	362
102 / 2591	282	354	426
108 / 2743	292	365	437
114 / 2896	304	376	449
120 / 3048	315	387	461
126 / 3200	324	400	471
132 / 3353	336	409	482
138 / 3505	347	419	495
144 / 3658	358	432	504

DIMENSIONS INCHES / MM

W	End Cover to End Cover (EE)	End Cover to Linking Strip (EL)	Linking Strip to Linking Strip (LL)
150 / 3810	369	441	514
156 / 3962	381	453	527
162 / 4115	392	465	537
168 / 4267	404	477	550
174 / 4420	415	487	560
180 / 4572	425	499	571
186 / 4724	436	510	583
192 / 4877	448	521	594
198 / 5029	512	585	n/a
204 / 5182	525	596	n/a
210 / 5334	534	608	n/a
216 / 5486	546	620	n/a
222 / 5639	557	n/a	n/a
228 / 5791	568	n/a	n/a
234 / 5944	579	n/a	n/a
240 / 6096	591	n/a	n/a

PRICING (CONTINUED)

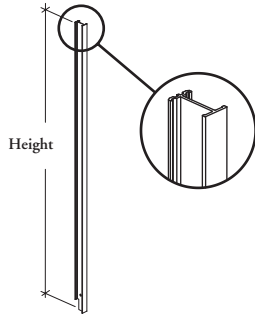
CVFLS

Vertical Linking Strip

This product provides a finished vertical transition between Fascias.

WHAT'S INCLUDED

1 linking strip (2 for EB configuration), and hardware.



58

PRODUCT OPTIONS

Height	Finish
06, 12, 18, 24, 30, 36, 42, 48, 54	AC Clear Anodized
SB Used on Standard Baseboard	
EB Used on Electrical Pass-Through Baseboard	

SAMPLE ORDER CODE

CVFLS SB	AC
----------	----

**DIMENSIONS
INCHES / MM**

H
6 / 152
12 / 305
18 / 457
24 / 610
30 / 762
36 / 914
42 / 1067
48 / 1219
54 / 1372
SB
EB

PRICING

56
62
66
71
76
84
90
94
98
71
220

This product adds a Baseboard level to an already-installed Frame without baseboard.

WHAT'S INCLUDED

1 baseboard bottom horizontal rail, 1 electrical pass-through baseboard extrusion (if specified), 2 vertical end cover extensions, vertical structures, and hardware.

WHAT'S EXCLUDED

Wall Anchors

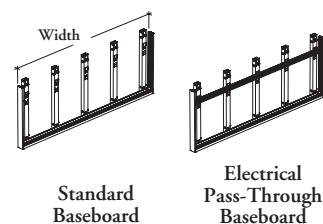
NOTES

All horizontal rails and extrusions come in more than one piece for frames wider than 96".

Frames are supplied with enough vertical structures to ensure a maximum of 24" spacing between each.

If your local authority requires the use of more vertical structures, you can order them separately (CVFVB30).

CVFB
Base Frame Add-On Kit



PRODUCT OPTIONS

Baseboard Configuration	Width	Finish
S Standard Baseboard	048, 054, 060, 066, 072, 078, 084, 090, 096, 102, 108, 114, 120, 126, 132, 138, 144, 150, 156, 162, 168, 174, 180, 186, 192, 198, 204, 210, 216, 222, 228, 234, 240	AC Clear Anodized
E Electrical Pass-Through Baseboard		

SAMPLE ORDER CODE

CVFB S	048	AC
---------------	------------	-----------

DIMENSIONS INCHES / MM

W
48 / 1219
54 / 1372
60 / 1524
66 / 1676
72 / 1829
78 / 1981
84 / 2134
90 / 2286
96 / 2438
102 / 2591
108 / 2743
114 / 2896
120 / 3048
126 / 3200
132 / 3353
138 / 3505
144 / 3658

PRICING

Standard Baseboard (S)	Electrical Pass-Through Baseboard (E)
515	652
588	735
600	761
616	789
628	815
699	897
713	922
727	950
740	977
853	1155
865	1181
882	1208
893	1233
965	1319
978	1343
990	1371
1006	1397

DIMENSIONS INCHES / MM

W
150 / 3810
156 / 3962
162 / 4115
168 / 4267
174 / 4420
180 / 4572
186 / 4724
192 / 4877
198 / 5029
204 / 5182
210 / 5334
216 / 5486
222 / 5639
228 / 5791
234 / 5944
240 / 6096

PRICING (CONTINUED)

Standard Baseboard (S)	Electrical Pass-Through Baseboard (E)
1075	1479
1089	1504
1103	1534
1115	1560
1186	1643
1200	1667
1214	1696
1226	1721
1370	1921
1383	1945
1398	1972
1412	1998
1480	2080
1495	2105
1509	2135
1520	2161

fascias

fascias

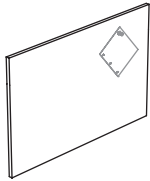
PRODUCT MAP63

PRODUCT LISTING64

product map

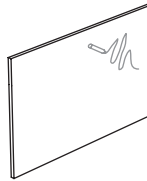
CVUFF Fabric Tackboard Upper Fascia

Page 64
Height: 12" - 48" / Width: 24" - 96"



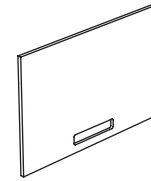
CVUFP Whiteboard Upper Fascia

Page 68
Height: 12" - 54" / Width: 24" - 96"



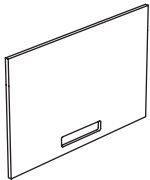
CVUFL Laminate Upper Fascia

Page 70
Height: 6" - 54" / Width: 24" - 96"



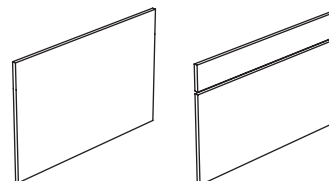
CVUFW Wood Upper Fascia

Page 74
Height: 6" - 54" / Width: 24" - 96"



CVBL Laminate Base Fascia

Page 77
Width: 24" - 96"

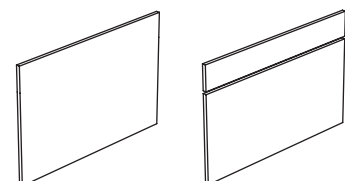


Standard Baseboard

Electrical Pass-Through Baseboard

CVBW Wood Base Fascia

Page 78
Width: 24" - 96"



Standard Baseboard

Electrical Pass-Through Baseboard

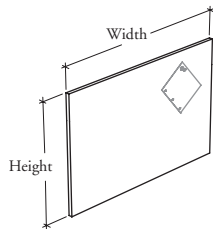
CVUAR Accessory Rail

Page 79
Height: 6" / Width: 24" - 96"



CVUFF

Fabric Tackboard Upper Fascia



This fascia provides a firm tackable wall finish above worksurface height.

WHAT'S INCLUDED

1 fascia with reinforcing bars and hardware.

WHAT'S EXCLUDED

Intermediate Horizontal Rail and Vertical Linking Strip.

64

PRODUCT OPTIONS

Height	Width	Finish
12, 18, 24, 30, 36, 42, 48	24, 30, 36, 42, 48, 54, 60, 66, 72, 78, 84, 90, 96	Panel Fabric

SAMPLE ORDER CODE

CVUFF 30	66	C508
-----------------	-----------	-------------

DIMENSIONS INCHES / MM

H	W
12 / 305	24 / 610
12 / 305	30 / 762
12 / 305	36 / 914
12 / 305	42 / 1067
12 / 305	48 / 1219
12 / 305	54 / 1372
12 / 305	60 / 1524
12 / 305	66 / 1676
12 / 305	72 / 1829
12 / 305	78 / 1981
12 / 305	84 / 2134
12 / 305	90 / 2286
12 / 305	96 / 2438

PRICING

A/COM	Gr. 1	Gr. 2	Gr. 3	Gr. 4	Gr. 5	Gr. 6	Gr. 7
122	126	130	136	140	142	149	154
137	145	150	155	158	161	167	174
154	160	166	174	179	182	188	195
170	178	186	191	196	200	209	217
188	195	202	211	215	219	227	237
205	212	220	229	234	239	248	258
223	232	242	250	256	261	272	283
242	252	262	273	278	284	294	307
262	272	284	294	300	306	318	331
282	292	304	316	323	328	342	356
302	313	324	337	345	351	365	380
319	333	346	359	367	374	388	404
338	353	366	381	389	395	412	430

18 / 457	24 / 610
18 / 457	30 / 762
18 / 457	36 / 914
18 / 457	42 / 1067
18 / 457	48 / 1219
18 / 457	54 / 1372
18 / 457	60 / 1524
18 / 457	66 / 1676
18 / 457	72 / 1829
18 / 457	78 / 1981
18 / 457	84 / 2134
18 / 457	90 / 2286
18 / 457	96 / 2438

145	150	155	161	165	167	174	183
162	168	176	184	187	190	197	207
183	189	196	205	210	214	221	231
201	210	218	226	232	236	244	255
220	229	239	248	254	258	268	279
240	249	259	270	276	282	292	304
259	270	280	290	297	304	315	327
279	289	302	314	320	326	338	353
296	309	322	335	342	348	362	376
317	330	342	356	363	371	385	402
336	350	363	378	386	392	408	425
355	369	384	401	408	415	433	449
375	389	405	420	430	437	455	473

CVUFF

Fabric Tackboard Upper Fascia
(Continued)DIMENSIONS
INCHES / MM

PRICING

H	W	A/COM	Gr. 1	Gr. 2	Gr. 3	Gr. 4	Gr. 5	Gr. 6	Gr. 7
24 / 610	24 / 610	165	171	179	187	190	193	201	210
24 / 610	30 / 762	188	195	202	211	215	219	227	237
24 / 610	36 / 914	210	218	226	236	241	244	255	264
24 / 610	42 / 1067	232	241	250	261	266	271	283	293
24 / 610	48 / 1219	254	263	274	285	290	296	308	320
24 / 610	54 / 1372	275	287	298	309	316	322	335	348
24 / 610	60 / 1524	302	313	324	337	345	351	365	380
24 / 610	66 / 1676	324	338	351	366	374	380	394	411
24 / 610	72 / 1829	350	363	379	393	402	408	425	441
24 / 610	78 / 1981	375	389	405	420	430	437	455	473
24 / 610	84 / 2134	400	415	432	449	457	466	484	504
24 / 610	90 / 2286	424	440	459	477	486	497	514	536
24 / 610	96 / 2438	449	466	484	504	515	526	545	568
30 / 762	24 / 610	193	200	210	217	221	225	234	244
30 / 762	30 / 762	220	229	239	248	254	258	268	279
30 / 762	36 / 914	248	258	268	280	285	289	303	314
30 / 762	42 / 1067	275	287	298	309	316	322	335	348
30 / 762	48 / 1219	304	315	327	341	348	355	368	384
30 / 762	54 / 1372	331	343	357	372	379	386	403	417
30 / 762	60 / 1524	361	375	389	406	415	422	438	456
30 / 762	66 / 1676	390	406	422	439	449	457	475	496
30 / 762	72 / 1829	420	437	455	473	483	493	512	532
30 / 762	78 / 1981	451	470	487	507	518	528	550	571
30 / 762	84 / 2134	481	501	522	540	551	562	585	609
30 / 762	90 / 2286	511	532	555	575	588	599	623	648
30 / 762	96 / 2438	543	563	587	609	621	633	659	685
36 / 914	24 / 610	225	236	244	255	259	264	274	286
36 / 914	30 / 762	259	270	280	290	297	304	315	327
36 / 914	36 / 914	292	304	316	328	335	341	355	369
36 / 914	42 / 1067	324	338	351	366	374	380	394	411
36 / 914	48 / 1219	358	372	387	403	410	418	435	452
36 / 914	54 / 1372	390	406	422	439	449	457	475	496
36 / 914	60 / 1524	426	443	462	480	490	499	520	539
36 / 914	66 / 1676	463	481	500	521	531	540	562	585
36 / 914	72 / 1829	498	519	538	560	572	583	604	630
36 / 914	78 / 1981	533	556	578	600	612	624	650	676
36 / 914	84 / 2134	569	593	616	641	654	667	693	721
36 / 914	90 / 2286	604	629	654	680	696	708	735	765
36 / 914	96 / 2438	641	667	693	721	735	750	779	812
42 / 1067	24 / 610	264	274	286	296	303	309	322	335
42 / 1067	30 / 762	304	315	327	341	348	355	368	384
42 / 1067	36 / 914	341	355	369	384	392	401	415	433
42 / 1067	42 / 1067	380	394	411	428	437	445	463	480
42 / 1067	48 / 1219	418	435	452	470	480	489	509	529
42 / 1067	54 / 1372	457	475	495	513	524	533	556	578
42 / 1067	60 / 1524	498	519	538	560	572	583	604	630
42 / 1067	66 / 1676	538	561	583	605	617	630	655	682
42 / 1067	72 / 1829	581	603	628	653	667	679	706	733
42 / 1067	78 / 1981	622	647	673	699	713	727	756	788
42 / 1067	84 / 2134	663	690	717	746	762	776	808	838
42 / 1067	90 / 2286	703	731	762	792	806	823	857	890
42 / 1067	96 / 2438	746	776	805	838	856	874	909	943

CVUFF

Fabric Tackboard Upper Fascia (Continued)

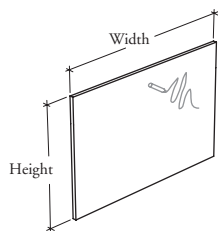
DIMENSIONS
INCHES / MM

PRICING

H	W	A/COM	Gr. 1	Gr. 2	Gr. 3	Gr. 4	Gr. 5	Gr. 6	Gr. 7
48 / 1219	24 / 610	308	320	334	347	355	361	375	389
48 / 1219	30 / 762	353	366	381	395	405	412	430	447
48 / 1219	36 / 914	395	412	430	447	455	464	482	501
48 / 1219	42 / 1067	439	457	477	496	506	514	534	557
48 / 1219	48 / 1219	483	503	525	545	557	567	589	613
48 / 1219	54 / 1372	529	550	571	594	607	619	644	668
48 / 1219	60 / 1524	572	595	620	645	657	669	696	725
48 / 1219	66 / 1676	617	641	667	693	707	721	750	779
48 / 1219	72 / 1829	660	687	715	743	759	772	803	834
48 / 1219	78 / 1981	703	731	762	792	806	823	857	890
48 / 1219	84 / 2134	748	778	810	842	858	876	911	946
48 / 1219	90 / 2286	792	823	857	890	909	925	963	1004
48 / 1219	96 / 2438	836	869	907	941	958	978	1016	1058

CVUFP

Whiteboard Upper Fascia



This fascia provides an erasable message board wall finish above worksurface height.

WHAT'S INCLUDED

1 fascia and hardware.

WHAT'S EXCLUDED

Intermediate Horizontal Rail and Vertical Linking Strip.

NOTES

Shelves and Overhead Cabinets **cannot** lean on a Whiteboard Upper Fascia.

68

PRODUCT OPTIONS

Height	Width
12, 18, 24, 30, 36, 42, 48, 54	24, 30, 36, 42, 48, 54, 60, 66, 72, 78, 84, 90, 96

SAMPLE ORDER CODE

CVUFP 54	96
----------	----

DIMENSIONS INCHES / MM

H	W
12 / 305	24 / 610
12 / 305	30 / 762
12 / 305	36 / 914
12 / 305	42 / 1067
12 / 305	48 / 1219
12 / 305	54 / 1372
12 / 305	60 / 1524
12 / 305	66 / 1676
12 / 305	72 / 1829
12 / 305	78 / 1981
12 / 305	84 / 2134
12 / 305	90 / 2286
12 / 305	96 / 2438

PRICING

165
220
275
331
386
439
496
551
604
660
716
771
824

DIMENSIONS INCHES / MM

H	W
24 / 610	24 / 610
24 / 610	30 / 762
24 / 610	36 / 914
24 / 610	42 / 1067
24 / 610	48 / 1219
24 / 610	54 / 1372
24 / 610	60 / 1524
24 / 610	66 / 1676
24 / 610	72 / 1829
24 / 610	78 / 1981
24 / 610	84 / 2134
24 / 610	90 / 2286
24 / 610	96 / 2438

PRICING

275
331
386
439
496
551
604
660
716
771
824
881
937

18 / 457	24 / 610
18 / 457	30 / 762
18 / 457	36 / 914
18 / 457	42 / 1067
18 / 457	48 / 1219
18 / 457	54 / 1372
18 / 457	60 / 1524
18 / 457	66 / 1676
18 / 457	72 / 1829
18 / 457	78 / 1981
18 / 457	84 / 2134
18 / 457	90 / 2286
18 / 457	96 / 2438

220
275
331
386
439
496
551
604
660
716
771
824
881

30 / 762	24 / 610
30 / 762	30 / 762
30 / 762	36 / 914
30 / 762	42 / 1067
30 / 762	48 / 1219
30 / 762	54 / 1372
30 / 762	60 / 1524
30 / 762	66 / 1676
30 / 762	72 / 1829
30 / 762	78 / 1981
30 / 762	84 / 2134
30 / 762	90 / 2286
30 / 762	96 / 2438

386
467
551
632
716
796
881
962
1044
1870
1898
1925
1953

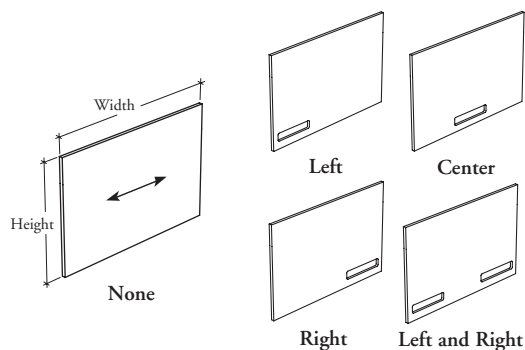
CVUFP

Porcelain Whiteboard Upper Fascia (Continued)

DIMENSIONS INCHES / MM		PRICING	DIMENSIONS INCHES / MM		PRICING
H	W		H	W	
36 / 914	24 / 610	496	48 / 1219	24 / 610	604
36 / 914	30 / 762	578	48 / 1219	30 / 762	689
36 / 914	36 / 914	660	48 / 1219	36 / 914	771
36 / 914	42 / 1067	771	48 / 1219	42 / 1067	881
36 / 914	48 / 1219	881	48 / 1219	48 / 1219	989
36 / 914	54 / 1372	989	48 / 1219	54 / 1372	1101
36 / 914	60 / 1524	1101	48 / 1219	60 / 1524	1210
36 / 914	66 / 1676	1210	48 / 1219	66 / 1676	1320
36 / 914	72 / 1829	1264	48 / 1219	72 / 1829	1430
36 / 914	78 / 1981	1953	48 / 1219	78 / 1981	2006
36 / 914	84 / 2134	1978	48 / 1219	84 / 2134	2033
36 / 914	90 / 2286	2006	48 / 1219	90 / 2286	2062
36 / 914	96 / 2438	2033	48 / 1219	96 / 2438	2090
42 / 1067	24 / 610	551	54 / 1372	24 / 610	660
42 / 1067	30 / 762	632	54 / 1372	30 / 762	771
42 / 1067	36 / 914	716	54 / 1372	36 / 914	881
42 / 1067	42 / 1067	824	54 / 1372	42 / 1067	989
42 / 1067	48 / 1219	937	54 / 1372	48 / 1219	1101
42 / 1067	54 / 1372	1044	54 / 1372	54 / 1372	1210
42 / 1067	60 / 1524	1155	54 / 1372	60 / 1524	1320
42 / 1067	66 / 1676	1264	54 / 1372	66 / 1676	1430
42 / 1067	72 / 1829	1374	54 / 1372	72 / 1829	1540
42 / 1067	78 / 1981	1978	54 / 1372	78 / 1981	2033
42 / 1067	84 / 2134	2006	54 / 1372	84 / 2134	2062
42 / 1067	90 / 2286	2033	54 / 1372	90 / 2286	2090
42 / 1067	96 / 2438	2062	54 / 1372	96 / 2438	2118

CVUFL

Laminate Upper Fascia



This fascia provides a solid wall finish above worksurface height. Versions with Power and Data Cut Out provide face-mounted access to power/communications.

WHAT'S INCLUDED

1 fascia (cut out as specified) with reinforcing bars and hardware.

WHAT'S EXCLUDED

Power Bar and Cover, Intermediate Horizontal Rail, and Vertical Linking Strip.

For widths 24" or 30", the Laminate Upper Fascia is only available with none (N) or center cut-out (C).

70

PRODUCT OPTIONS

Height	Width	Power and Data Cut Out	Finish
06, 12, 18, 24, 30, 36, 42, 48, 54	24, 30, 36, 42, 48, 54, 60, 66, 72, 78, 84, 90, 96	N None L Left C Center R Right B Left and Right	Source Laminate

SAMPLE ORDER CODE

CVUFL 24	48	C	LE
-----------------	-----------	----------	-----------

DIMENSIONS INCHES / MM

H	W
6 / 152	24 / 610
6 / 152	30 / 762
6 / 152	36 / 914
6 / 152	42 / 1067
6 / 152	48 / 1219
6 / 152	54 / 1372
6 / 152	60 / 1524
6 / 152	66 / 1676
6 / 152	72 / 1829
6 / 152	78 / 1981
6 / 152	84 / 2134
6 / 152	90 / 2286
6 / 152	96 / 2438
12 / 305	24 / 610
12 / 305	30 / 762
12 / 305	36 / 914
12 / 305	42 / 1067
12 / 305	48 / 1219
12 / 305	54 / 1372
12 / 305	60 / 1524
12 / 305	66 / 1676
12 / 305	72 / 1829
12 / 305	78 / 1981
12 / 305	84 / 2134
12 / 305	90 / 2286
12 / 305	96 / 2438

PRICING

NONE (N)	LEFT (L) / CENTER (C) / RIGHT (R)	LEFT AND RIGHT (B)
Source Laminate	Source Laminate	Source Laminate
56	94	n/a
66	104	n/a
76	118	n/a
90	126	n/a
98	137	177
112	150	188
122	160	197
132	170	210
145	183	220
154	193	232
165	205	242
177	216	254
188	225	264
76	118	n/a
94	132	n/a
104	145	n/a
118	154	n/a
126	165	205
137	177	216
150	188	225
160	197	237
170	210	248
183	220	259
193	232	270
205	242	282
216	254	292

CVUFL Laminate Upper Fascia (Continued)

**DIMENSIONS
INCHES / MM**
PRICING

DIMENSIONS INCHES / MM		NONE (N)	LEFT (L) / CENTER (C) / RIGHT (R)	LEFT AND RIGHT (B)
H	W	Source Laminate	Source Laminate	Source Laminate
18 / 457	24 / 610	104	145	n/a
18 / 457	30 / 762	126	165	n/a
18 / 457	36 / 914	137	177	n/a
18 / 457	42 / 1067	150	188	n/a
18 / 457	48 / 1219	160	197	237
18 / 457	54 / 1372	170	210	248
18 / 457	60 / 1524	183	220	259
18 / 457	66 / 1676	193	232	270
18 / 457	72 / 1829	205	242	282
18 / 457	78 / 1981	216	254	292
18 / 457	84 / 2134	225	264	304
18 / 457	90 / 2286	237	275	314
18 / 457	96 / 2438	248	287	324
24 / 610	24 / 610	132	170	n/a
24 / 610	30 / 762	154	193	n/a
24 / 610	36 / 914	170	210	n/a
24 / 610	42 / 1067	188	225	n/a
24 / 610	48 / 1219	205	242	282
24 / 610	54 / 1372	220	259	296
24 / 610	60 / 1524	237	275	314
24 / 610	66 / 1676	254	292	331
24 / 610	72 / 1829	270	308	347
24 / 610	78 / 1981	287	324	363
24 / 610	84 / 2134	304	341	380
24 / 610	90 / 2286	319	358	395
24 / 610	96 / 2438	336	375	412
30 / 762	24 / 610	154	193	n/a
30 / 762	30 / 762	177	216	n/a
30 / 762	36 / 914	193	232	n/a
30 / 762	42 / 1067	210	248	n/a
30 / 762	48 / 1219	225	264	304
30 / 762	54 / 1372	242	282	319
30 / 762	60 / 1524	259	296	336
30 / 762	66 / 1676	275	314	353
30 / 762	72 / 1829	292	331	368
30 / 762	78 / 1981	308	347	386
30 / 762	84 / 2134	331	368	407
30 / 762	90 / 2286	353	390	431
30 / 762	96 / 2438	375	412	451
36 / 914	24 / 610	193	232	n/a
36 / 914	30 / 762	216	254	n/a
36 / 914	36 / 914	242	282	n/a
36 / 914	42 / 1067	270	308	n/a
36 / 914	48 / 1219	292	331	368
36 / 914	54 / 1372	314	353	390
36 / 914	60 / 1524	336	375	412
36 / 914	66 / 1676	358	395	435
36 / 914	72 / 1829	380	418	457
36 / 914	78 / 1981	403	439	479
36 / 914	84 / 2134	424	463	501
36 / 914	90 / 2286	447	483	524
36 / 914	96 / 2438	467	506	545

Pricing is continued on the following page.

CVUFL

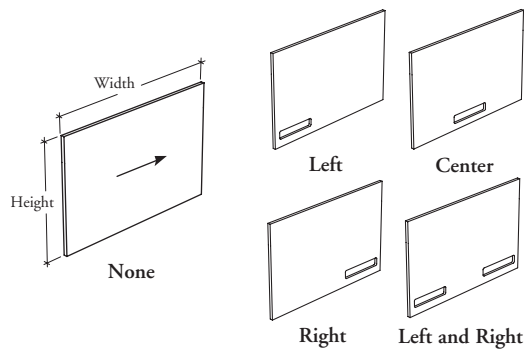
Laminate Upper Fascia (Continued)

DIMENSIONS INCHES / MM

PRICING

DIMENSIONS INCHES / MM		PRICING		
H	W	NONE (N) Source Laminate	LEFT (L) / CENTER (C) / RIGHT (R) Source Laminate	LEFT AND RIGHT (B) Source Laminate
42 / 1067	24 / 610	220	259	n/a
42 / 1067	30 / 762	248	287	n/a
42 / 1067	36 / 914	275	314	n/a
42 / 1067	42 / 1067	304	341	n/a
42 / 1067	48 / 1219	331	368	407
42 / 1067	54 / 1372	358	395	435
42 / 1067	60 / 1524	386	424	463
42 / 1067	66 / 1676	412	451	490
42 / 1067	72 / 1829	439	479	519
42 / 1067	78 / 1981	467	506	545
42 / 1067	84 / 2134	496	533	572
42 / 1067	90 / 2286	524	561	600
42 / 1067	96 / 2438	551	589	626
48 / 1219	24 / 610	248	287	n/a
48 / 1219	30 / 762	275	314	n/a
48 / 1219	36 / 914	304	341	n/a
48 / 1219	42 / 1067	331	368	n/a
48 / 1219	48 / 1219	358	395	435
48 / 1219	54 / 1372	386	424	463
48 / 1219	60 / 1524	412	451	490
48 / 1219	66 / 1676	439	479	519
48 / 1219	72 / 1829	467	506	545
48 / 1219	78 / 1981	496	533	572
48 / 1219	84 / 2134	524	561	600
48 / 1219	90 / 2286	551	589	626
48 / 1219	96 / 2438	578	617	654
54 / 1372	24 / 610	275	314	n/a
54 / 1372	30 / 762	304	341	n/a
54 / 1372	36 / 914	331	368	n/a
54 / 1372	42 / 1067	358	395	n/a
54 / 1372	48 / 1219	386	424	463
54 / 1372	54 / 1372	412	451	490
54 / 1372	60 / 1524	439	479	519
54 / 1372	66 / 1676	467	506	545
54 / 1372	72 / 1829	496	533	572
54 / 1372	78 / 1981	524	561	600
54 / 1372	84 / 2134	578	617	654
54 / 1372	90 / 2286	632	671	709
54 / 1372	96 / 2438	689	726	764

CVUFW Wood Upper Fascia



This fascia provides a solid wall finish above worksurface height. Versions with Power and Data Cut Out provide face-mounted access to power/communications.

WHAT'S INCLUDED

1 fascia (cut-out as specified) with reinforcing bars and hardware.

WHAT'S EXCLUDED

Power Bar and Cover, Intermediate Horizontal Rail, and Vertical Linking Strip.

For widths 24" or 30", the Wood Upper Fascia is only available with none (N) or center cut-out (C).

PRODUCT OPTIONS

Height	Width	Power and Data Cut Out	Finish
06, 12, 18, 24, 30, 36, 42, 48, 54	24, 30, 36, 42, 48, 54, 60, 66, 72, 78, 84, 90, 96	N None L Left C Center R Right B Left and Right	Flintwood Natural Veneer

SAMPLE ORDER CODE

CVUFW 24	48	R	MP
-----------------	-----------	----------	-----------

DIMENSIONS INCHES / MM

H	W
6 / 152	24 / 610
6 / 152	30 / 762
6 / 152	36 / 914
6 / 152	42 / 1067
6 / 152	48 / 1219
6 / 152	54 / 1372
6 / 152	60 / 1524
6 / 152	66 / 1676
6 / 152	72 / 1829
6 / 152	78 / 1981
6 / 152	84 / 2134
6 / 152	90 / 2286
6 / 152	96 / 2438
12 / 305	24 / 610
12 / 305	30 / 762
12 / 305	36 / 914
12 / 305	42 / 1067
12 / 305	48 / 1219
12 / 305	54 / 1372
12 / 305	60 / 1524
12 / 305	66 / 1676
12 / 305	72 / 1829
12 / 305	78 / 1981
12 / 305	84 / 2134
12 / 305	90 / 2286
12 / 305	96 / 2438

PRICING

NONE (N)		LEFT (L) / CENTER (C) / RIGHT (R)		LEFT AND RIGHT (B)	
Flintwood	Natural Veneer	Flintwood	Natural Veneer	Flintwood	Natural Veneer
193	202	232	241	n/a	n/a
208	217	245	256	n/a	n/a
220	232	259	270	n/a	n/a
234	245	273	285	n/a	n/a
248	261	287	298	324	337
262	274	302	314	338	353
279	292	317	331	355	368
294	309	334	348	372	386
311	327	350	365	388	404
327	345	366	382	405	420
345	361	382	401	420	438
361	379	400	417	437	456
378	395	416	435	453	472
248	261	287	298	n/a	n/a
264	279	304	316	n/a	n/a
282	294	319	334	n/a	n/a
296	313	336	351	n/a	n/a
314	330	353	368	390	406
331	347	368	386	407	424
350	367	388	406	426	443
368	387	407	426	447	464
388	407	426	447	465	484
407	428	447	466	483	504
426	448	465	486	503	526
447	468	483	506	524	545
465	489	503	527	543	564

CVUFW
Wood Upper Fascia
(Continued)

DIMENSIONS
INCHES / MM

PRICING

DIMENSIONS		NONE (N)		LEFT (L) / CENTER (C) / RIGHT (R)		LEFT AND RIGHT (B)	
H	W	Flintwood	Natural Veneer	Flintwood	Natural Veneer	Flintwood	Natural Veneer
18 / 457	24 / 610	304	318	341	356	n/a	n/a
18 / 457	30 / 762	324	341	363	380	n/a	n/a
18 / 457	36 / 914	347	365	386	403	n/a	n/a
18 / 457	42 / 1067	368	387	407	426	n/a	n/a
18 / 457	48 / 1219	390	409	431	449	467	487
18 / 457	54 / 1372	412	434	451	472	490	510
18 / 457	60 / 1524	437	461	477	498	514	536
18 / 457	66 / 1676	463	484	501	525	538	562
18 / 457	72 / 1829	487	511	526	551	563	588
18 / 457	78 / 1981	511	537	551	575	589	615
18 / 457	84 / 2134	536	563	575	601	615	641
18 / 457	90 / 2286	561	589	600	628	637	667
18 / 457	96 / 2438	587	616	624	654	663	692
24 / 610	24 / 610	358	376	395	415	n/a	n/a
24 / 610	30 / 762	382	403	420	439	n/a	n/a
24 / 610	36 / 914	407	428	447	466	n/a	n/a
24 / 610	42 / 1067	433	453	470	493	n/a	n/a
24 / 610	48 / 1219	457	480	496	519	533	557
24 / 610	54 / 1372	481	504	521	544	559	583
24 / 610	60 / 1524	506	531	545	570	583	609
24 / 610	66 / 1676	536	563	575	601	615	641
24 / 610	72 / 1829	567	595	604	633	645	671
24 / 610	78 / 1981	596	626	634	666	675	703
24 / 610	84 / 2134	626	657	666	697	703	735
24 / 610	90 / 2286	657	691	696	729	733	766
24 / 610	96 / 2438	689	722	726	761	764	799
30 / 762	24 / 610	412	434	451	472	n/a	n/a
30 / 762	30 / 762	443	465	481	503	n/a	n/a
30 / 762	36 / 914	473	498	511	534	n/a	n/a
30 / 762	42 / 1067	503	529	543	568	n/a	n/a
30 / 762	48 / 1219	533	560	572	599	610	637
30 / 762	54 / 1372	563	593	602	630	641	669
30 / 762	60 / 1524	594	624	632	663	671	700
30 / 762	66 / 1676	626	657	666	697	703	735
30 / 762	72 / 1829	660	693	699	731	738	771
30 / 762	78 / 1981	693	728	731	765	771	804
30 / 762	84 / 2134	726	762	764	800	803	840
30 / 762	90 / 2286	760	796	796	836	836	875
30 / 762	96 / 2438	792	832	831	869	867	910
36 / 914	24 / 610	467	492	506	530	n/a	n/a
36 / 914	30 / 762	501	527	538	563	n/a	n/a
36 / 914	36 / 914	533	560	572	599	n/a	n/a
36 / 914	42 / 1067	567	595	604	633	n/a	n/a
36 / 914	48 / 1219	600	629	637	668	677	707
36 / 914	54 / 1372	632	664	671	702	709	742
36 / 914	60 / 1524	668	701	707	741	746	778
36 / 914	66 / 1676	703	740	743	778	781	817
36 / 914	72 / 1829	740	777	778	817	818	853
36 / 914	78 / 1981	776	816	816	853	852	890
36 / 914	84 / 2134	812	852	850	889	888	928
36 / 914	90 / 2286	848	889	886	927	922	966
36 / 914	96 / 2438	883	927	920	965	959	1005

CVUFW

Wood Upper Fascia (Continued)

DIMENSIONS INCHES / MM

PRICING

H	W	NONE (N)		LEFT (L) / CENTER (C) / RIGHT (R)		LEFT AND RIGHT (B)	
		Flintwood	Natural Veneer	Flintwood	Natural Veneer	Flintwood	Natural Veneer
42 / 1067	24 / 610	524	550	561	588	n/a	n/a
42 / 1067	30 / 762	559	587	596	625	n/a	n/a
42 / 1067	36 / 914	594	624	632	663	n/a	n/a
42 / 1067	42 / 1067	630	661	668	700	n/a	n/a
42 / 1067	48 / 1219	666	699	703	738	743	776
42 / 1067	54 / 1372	701	738	740	774	778	815
42 / 1067	60 / 1524	738	774	776	814	816	851
42 / 1067	66 / 1676	776	816	816	853	852	890
42 / 1067	72 / 1829	816	854	852	893	890	930
42 / 1067	78 / 1981	852	894	890	933	929	973
42 / 1067	84 / 2134	890	938	929	974	969	1012
42 / 1067	90 / 2286	929	977	969	1013	1007	1053
42 / 1067	96 / 2438	969	1015	1007	1055	1044	1092
48 / 1219	24 / 610	578	605	617	646	n/a	n/a
48 / 1219	30 / 762	617	647	654	685	n/a	n/a
48 / 1219	36 / 914	654	689	693	726	n/a	n/a
48 / 1219	42 / 1067	693	728	731	765	n/a	n/a
48 / 1219	48 / 1219	731	768	771	808	809	846
48 / 1219	54 / 1372	771	809	809	848	848	886
48 / 1219	60 / 1524	809	849	848	887	886	925
48 / 1219	66 / 1676	850	891	888	930	927	970
48 / 1219	72 / 1829	890	938	929	974	969	1012
48 / 1219	78 / 1981	932	979	972	1016	1009	1055
48 / 1219	84 / 2134	974	1022	1012	1060	1051	1100
48 / 1219	90 / 2286	1014	1065	1053	1104	1091	1142
48 / 1219	96 / 2438	1057	1108	1094	1147	1133	1185
54 / 1372	24 / 610	632	664	671	702	n/a	n/a
54 / 1372	30 / 762	675	708	713	746	n/a	n/a
54 / 1372	36 / 914	716	751	753	790	n/a	n/a
54 / 1372	42 / 1067	757	794	794	832	n/a	n/a
54 / 1372	48 / 1219	796	837	836	877	876	915
54 / 1372	54 / 1372	838	882	878	919	916	957
54 / 1372	60 / 1524	883	927	920	965	959	1005
54 / 1372	66 / 1676	927	973	965	1011	1005	1051
54 / 1372	72 / 1829	972	1018	1009	1058	1046	1097
54 / 1372	78 / 1981	1014	1065	1053	1104	1091	1142
54 / 1372	84 / 2134	1059	1111	1097	1151	1135	1187
54 / 1372	90 / 2286	1103	1158	1141	1197	1180	1234
54 / 1372	96 / 2438	1155	1213	1193	1250	1232	1290

This fascia provides a solid wall finish below worksurface height. Versions with Electrical Pass-Through Baseboard provide face-mounted access to power/communications.

WHAT'S INCLUDED

1 fascia (as specified) with reinforcing bars, magnet, plastic trim, pass-through extrusion (only applicable with Baseboard Configuration E), and hardware.

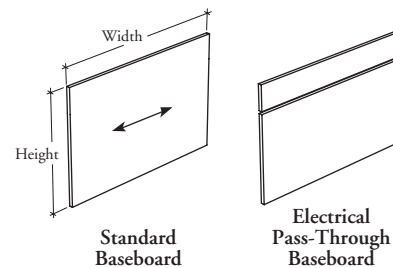
WHAT'S EXCLUDED

Vertical Linking Strip.

NOTES

Baseboard configuration must match with baseboard configuration of frame.

**CVBL
Laminate Base Fascia**



PRODUCT OPTIONS

Baseboard Configuration	Width	Finish	Extrusion Finish (for Baseboard Configuration E only)
S Standard Baseboard	24, 30, 36, 42, 48, 54, 60, 66, 72, 78, 84, 90, 96	Source Laminate	AC Clear Anodized
E Electrical Pass-Through Baseboard			

SAMPLE ORDER CODE

CVBL S	72	LE	
---------------	-----------	-----------	--

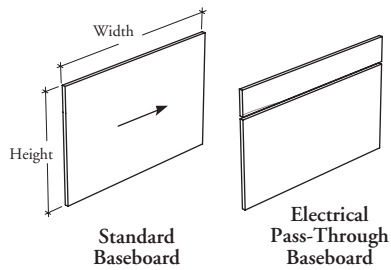
**DIMENSIONS
INCHES / MM**

W
24 / 610
30 / 762
36 / 914
42 / 1067
48 / 1219
54 / 1372
60 / 1524
66 / 1676
72 / 1829
78 / 1981
84 / 2134
90 / 2286
96 / 2438

PRICING

STANDARD BASEBOARD (S)		ELECTRICAL PASS-THROUGH BASEBOARD (E)	
W	Source Laminate	W	Source Laminate
24	132	24	171
30	154	30	200
36	170	36	221
42	188	42	243
48	205	48	264
54	220	54	287
60	237	60	308
66	254	66	330
72	270	72	351
78	287	78	372
84	304	84	393
90	319	90	415
96	336	96	436

CVBW Wood Base Fascia



This fascia provides a solid wall finish below worksurface height. Versions with Electrical Pass-Through Baseboard provide face-mounted access to power/communications.

WHAT'S INCLUDED

1 fascia (as specified) with reinforcing bars, magnet, plastic trim, pass-through extrusion (only applicable with Baseboard Configuration E), and hardware.

WHAT'S EXCLUDED

Vertical Linking Strip.

NOTES

Baseboard configuration must match with baseboard configuration of frame.

78

PRODUCT OPTIONS

Baseboard Configuration	Width	Finish	Extrusion Finish (for Baseboard Configuration E only)
S Standard Baseboard	24, 30, 36, 42, 48, 54, 60, 66, 72, 78, 84, 90, 96	Flintwood	AC Clear Anodized
E Electrical Pass-Through Baseboard		Natural Veneer	

SAMPLE ORDER CODE

CVBW E	96	WJ	AC
---------------	-----------	-----------	-----------

DIMENSIONS INCHES / MM

W
24 / 610
30 / 762
36 / 914
42 / 1067
48 / 1219
54 / 1372
60 / 1524
66 / 1676
72 / 1829
78 / 1981
84 / 2134
90 / 2286
96 / 2438

PRICING

STANDARD BASEBOARD (S)		ELECTRICAL PASS-THROUGH BASEBOARD (E)	
Flintwood	Natural Veneer	Flintwood	Natural Veneer
358	376	465	489
382	403	498	524
407	428	529	557
433	453	561	589
457	480	594	623
481	504	625	656
506	531	657	691
536	563	697	731
567	595	738	773
596	626	776	816
626	657	816	856
657	691	854	896
689	722	893	940

The Accessory Rail is designed to support a broad range of Teknion accessories and to facilitate paper flow management.

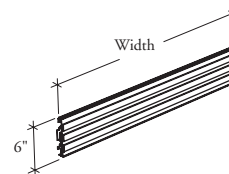
WHAT'S INCLUDED

1 accessory rail and hardware.

WHAT'S EXCLUDED

Intermediate Horizontal Rail and Vertical Linking Strip.

**CVUAR
Accessory Rail**



PRODUCT OPTIONS

Height	Width	Finish
06	024, 030, 036, 042, 048, 054, 060, 066, 072, 078, 084, 090, 096	AC Clear Anodized

SAMPLE ORDER CODE

CVUAR 06	042	AC
-----------------	------------	-----------

**DIMENSIONS
INCHES / MM**

H	W
6 / 152	24 / 610
6 / 152	30 / 762
6 / 152	36 / 914
6 / 152	42 / 1067
6 / 152	48 / 1219
6 / 152	54 / 1372
6 / 152	60 / 1524
6 / 152	66 / 1676
6 / 152	72 / 1829
6 / 152	78 / 1981
6 / 152	84 / 2134
6 / 152	90 / 2286
6 / 152	96 / 2438

PRICING

112
122
132
145
154
165
177
197
220
242
264
287
296

shelves

shelves

PRODUCT MAP83

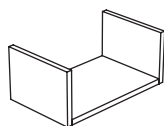
PRODUCT LISTING84

product map

CVSLL Laminate Book Shelf

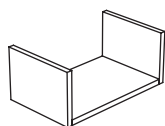
Page 84

Depth: 14" / Width: 24" – 96" / Height: 10"

**CVSLW Wood Book Shelf**

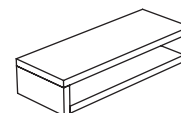
Page 85

Depth: 14" / Width: 24" – 96" / Height: 10"

**CVSCL Laminate Cubby**

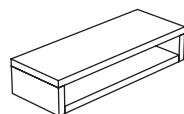
Page 86

Depth: 9" / Width: 24" – 96" / Height: 5"

**CVSCW Wood Cubby**

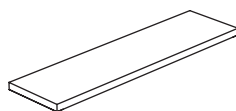
Page 87

Depth: 9" / Width: 24" – 96" / Height: 5"

**CVSFL Laminate Floating Shelf**

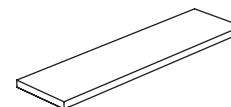
Page 88

Depth: 6" or 9" / Width: 24" – 96"

**CVSFW Wood Floating Shelf**

Page 89

Depth: 6" or 9" / Width: 24" – 96"



CVSLL Laminate Book Shelf

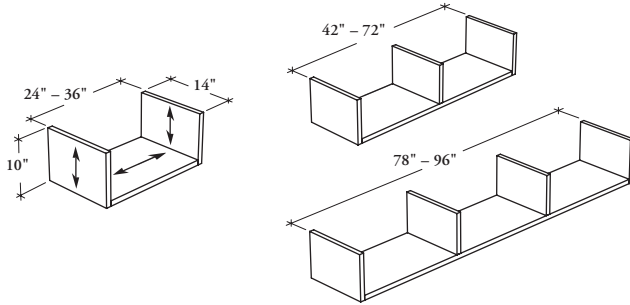
This shelf offers a storage solution for heavier items such as binders and books.

WHAT'S INCLUDED

1 shelf and mounting hardware.

NOTES

Cannot be hung on the lowest Horizontal Rail; must lean on a Fascia.



84

PRODUCT OPTIONS

Depth	Width	Height	Finish
14	24, 30, 36, 42, 48, 54, 60, 66, 72, 78, 84, 90, 96	10	Source Laminate

SAMPLE ORDER CODE

CVSLL 14	78	10	LE
----------	----	----	----

DIMENSIONS INCHES / MM

D	W	H
14 / 356	24 / 610	10 / 254
14 / 356	30 / 762	10 / 254
14 / 356	36 / 914	10 / 254
14 / 356	42 / 1067	10 / 254
14 / 356	48 / 1219	10 / 254
14 / 356	54 / 1372	10 / 254
14 / 356	60 / 1524	10 / 254
14 / 356	66 / 1676	10 / 254
14 / 356	72 / 1829	10 / 254
14 / 356	78 / 1981	10 / 254
14 / 356	84 / 2134	10 / 254
14 / 356	90 / 2286	10 / 254
14 / 356	96 / 2438	10 / 254

PRICING

248
275
304
358
386
412
439
467
496
524
551
578
604

This shelf offers a storage solution for heavier items such as binders and books.

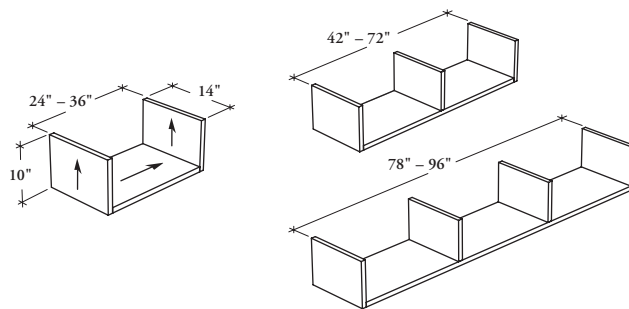
WHAT'S INCLUDED

1 shelf and mounting hardware.

NOTES

Cannot be hung on the lowest Horizontal Rail; must lean on a Fascia.

CVSLW Wood Book Shelf

**PRODUCT OPTIONS**

Depth	Width	Height	Finish
14	24, 30, 36, 42, 48, 54, 60, 66, 72, 78, 84, 90, 96	10	Flintwood Natural Veneer

SAMPLE ORDER CODE

CVSLW 14	78	10	UN
-----------------	-----------	-----------	-----------

**DIMENSIONS
INCHES / MM**

D	W	H
14 / 356	24 / 610	10 / 254
14 / 356	30 / 762	10 / 254
14 / 356	36 / 914	10 / 254
14 / 356	42 / 1067	10 / 254
14 / 356	48 / 1219	10 / 254
14 / 356	54 / 1372	10 / 254
14 / 356	60 / 1524	10 / 254
14 / 356	66 / 1676	10 / 254
14 / 356	72 / 1829	10 / 254
14 / 356	78 / 1981	10 / 254
14 / 356	84 / 2134	10 / 254
14 / 356	90 / 2286	10 / 254
14 / 356	96 / 2438	10 / 254

PRICING

Flintwood	Natural Veneer
786	824
853	895
921	970
1013	1064
1083	1136
1152	1208
1226	1288
1296	1358
1365	1432
1448	1521
1517	1593
1587	1665
1654	1737

CVSCL Laminate Cubby

This cubby offers an enclosed storage solution for lightweight objects.

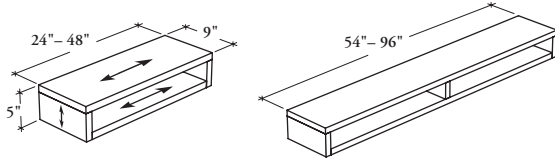
WHAT'S INCLUDED

1 cubby and mounting hardware.

NOTES

Cannot be hung on the lowest Horizontal Rail; must lean on a Fascia.

Load limits: 24" to 42" = 22 lbs / 10 kg
48" to 66" = 33 lbs / 15 kg
72" to 96" = 44 lbs / 20 kg



PRODUCT OPTIONS

Depth	Width	Height	Finish
09	24, 30, 36, 42, 48, 54, 60, 66, 72, 78, 84, 90, 96	05	Source Laminate

SAMPLE ORDER CODE

CVSCL 09	84	05	LE
----------	----	----	----

DIMENSIONS INCHES / MM

D	W	H
9 / 229	24 / 610	5 / 127
9 / 229	30 / 762	5 / 127
9 / 229	36 / 914	5 / 127
9 / 229	42 / 1067	5 / 127
9 / 229	48 / 1219	5 / 127
9 / 229	54 / 1372	5 / 127
9 / 229	60 / 1524	5 / 127
9 / 229	66 / 1676	5 / 127
9 / 229	72 / 1829	5 / 127
9 / 229	78 / 1981	5 / 127
9 / 229	84 / 2134	5 / 127
9 / 229	90 / 2286	5 / 127
9 / 229	96 / 2438	5 / 127

PRICING

296
347
395
447
496
545
594
645
673
714
752
792
832

This cubby offers an enclosed storage solution for lightweight objects.

WHAT'S INCLUDED

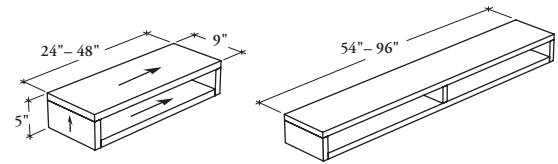
1 cubby and mounting hardware.

NOTES

Cannot be hung on the lowest Horizontal Rail; must lean on a Fascia.

Load limits: 24" to 42" = 22 lbs / 10 kg
 48" to 66" = 33 lbs / 15 kg
 72" to 96" = 44 lbs / 20 kg

CVSCW Wood Cubby



PRODUCT OPTIONS

Depth	Width	Height	Finish
09	24, 30, 36, 42, 48, 54, 60, 66, 72, 78, 84, 90, 96	05	Flintwood Natural Veneer

SAMPLE ORDER CODE

CVSCW 09	78	05	UN
----------	----	----	----

DIMENSIONS INCHES / MM

D	W	H
9 / 229	24 / 610	5 / 127
9 / 229	30 / 762	5 / 127
9 / 229	36 / 914	5 / 127
9 / 229	42 / 1067	5 / 127
9 / 229	48 / 1219	5 / 127
9 / 229	54 / 1372	5 / 127
9 / 229	60 / 1524	5 / 127
9 / 229	66 / 1676	5 / 127
9 / 229	72 / 1829	5 / 127
9 / 229	78 / 1981	5 / 127
9 / 229	84 / 2134	5 / 127
9 / 229	90 / 2286	5 / 127
9 / 229	96 / 2438	5 / 127

PRICING

Flintwood	Natural Veneer
960	1009
1037	1088
1166	1224
1255	1319
1330	1398
1414	1483
1542	1620
1625	1707
1702	1784
1782	1872
1905	2001
1989	2089
2064	2167

CVSFL

Laminate Floating Shelf

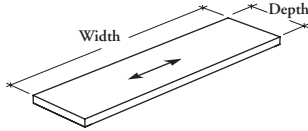
This shelf offers an aesthetic solution to display lightweight objects.

WHAT'S INCLUDED

1 shelf and mounting hardware.

NOTES

Load limits: 24" to 42" = 22 lbs / 10 kg
 48" to 66" = 33 lbs / 15 kg
 72" to 96" = 44 lbs / 20 kg



PRODUCT OPTIONS

Depth	Width	Finish
06, 09	24, 30, 36, 42, 48, 54, 60, 66, 72, 78, 84, 90, 96	Source Laminate

SAMPLE ORDER CODE

CVSFL 09	60	LE
----------	----	----

DIMENSIONS INCHES / MM

D	W
6 / 152	24 / 610
6 / 152	30 / 762
6 / 152	36 / 914
6 / 152	42 / 1067
6 / 152	48 / 1219
6 / 152	54 / 1372
6 / 152	60 / 1524
6 / 152	66 / 1676
6 / 152	72 / 1829
6 / 152	78 / 1981
6 / 152	84 / 2134
6 / 152	90 / 2286
6 / 152	96 / 2438

PRICING

137
154
170
183
210
232
248
264
282
296
314
331
347

DIMENSIONS INCHES / MM

D	W
9 / 229	24 / 610
9 / 229	30 / 762
9 / 229	36 / 914
9 / 229	42 / 1067
9 / 229	48 / 1219
9 / 229	54 / 1372
9 / 229	60 / 1524
9 / 229	66 / 1676
9 / 229	72 / 1829
9 / 229	78 / 1981
9 / 229	84 / 2134
9 / 229	90 / 2286
9 / 229	96 / 2438

PRICING

165
193
220
248
275
304
331
358
375
395
418
439
463

This shelf offers an aesthetic solution to display lightweight objects.

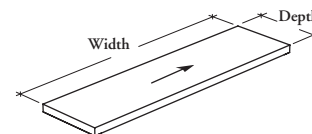
WHAT'S INCLUDED

1 shelf and mounting hardware.

NOTES

Load limits: 24" to 42" = 22 lbs / 10 kg
 48" to 66" = 33 lbs / 15 kg
 72" to 96" = 44 lbs / 20 kg

CVSFW Wood Floating Shelf

**PRODUCT OPTIONS**

Depth	Width	Finish
06, 09	24, 30, 36, 42, 48, 54, 60, 66, 72, 78, 84, 90, 96	Flintwood Natural Veneer

SAMPLE ORDER CODE

CVSFW 06	72	WW
----------	----	----

**DIMENSIONS
INCHES / MM**

D	W
6 / 152	24 / 610
6 / 152	30 / 762
6 / 152	36 / 914
6 / 152	42 / 1067
6 / 152	48 / 1219
6 / 152	54 / 1372
6 / 152	60 / 1524
6 / 152	66 / 1676
6 / 152	72 / 1829
6 / 152	78 / 1981
6 / 152	84 / 2134
6 / 152	90 / 2286
6 / 152	96 / 2438

PRICING

Flintwood	Natural Veneer
546	572
556	583
567	595
575	603
631	663
652	684
660	693
668	701
677	711
732	769
742	779
751	789
760	796

**DIMENSIONS
INCHES / MM**

D	W
9 / 229	24 / 610
9 / 229	30 / 762
9 / 229	36 / 914
9 / 229	42 / 1067
9 / 229	48 / 1219
9 / 229	54 / 1372
9 / 229	60 / 1524
9 / 229	66 / 1676
9 / 229	72 / 1829
9 / 229	78 / 1981
9 / 229	84 / 2134
9 / 229	90 / 2286
9 / 229	96 / 2438

PRICING

Flintwood	Natural Veneer
588	617
603	633
628	659
646	678
709	745
748	787
764	803
782	821
797	838
862	908
881	922
895	942
914	958

supports

worksurface supports

PRODUCT MAP93

PRODUCT LISTING95

C V W B Mounted Worksurface Brackets

Page 95



Brackets for 18" to 36" wide worksurfaces



Brackets for 37" to 96" wide worksurfaces

Off-module connectors that attach the worksurface to a Horizontal Rail.

CVWB

WHAT'S INCLUDED

2 or 3 brackets (as specified) and hardware.

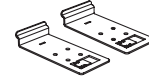
Mounted Worksurface Brackets

NOTES

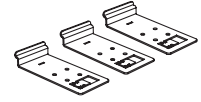
Does not allow height-adjustability.

Can be positioned anywhere along the Horizontal Rail.

Specify connecting range according to the dimension of the worksurface end that touches the Frame.



Brackets for 18" to 36" wide worksurfaces



Brackets for 37" to 96" wide worksurfaces

PRODUCT OPTIONS

Product Compatibility	Worksurface Connecting Dimension	Finish
S Standard W Modena Volterra Umbria Worksurfaces	1836 Two brackets for 18" to 36" wide worksurfaces 3796 Three brackets for 37" to 96" wide worksurfaces	7 Platinum

SAMPLE ORDER CODE

CVWB S	3796	7
---------------	-------------	----------

WORKSURFACE CONNECTING DIMENSION

PRICING

	STANDARD (S)	MODENA VOLTERRA UMBRIA WORKSURFACES (W)
1836	41	49
3796	63	68

electrics

electrics

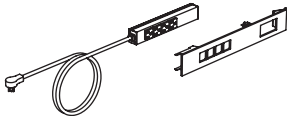
PRODUCT MAP99

PRODUCT LISTING100

product map

CVLP Power Bar and Cover

Page 100



CVLG Field-Installed Grommet

Page 101



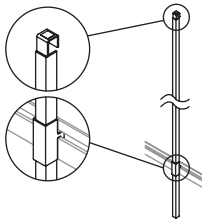
CVLT Wire Tray

Page 102

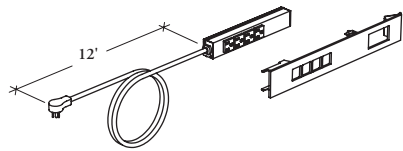


CVLC Mounted Storage Wire Cover

Page 103
Height: 52"



CVLP Power Bar and Cover



This product includes four grey outlets and a cover providing casual above-worksurface power and data access in integrated electrical applications. The cover is used to mount the power bar through a fascia cut out.

WHAT'S INCLUDED

1 power bar, 1 – 12' black power cord with 90° plug, 1 cover, grey data blank plate.

WHAT'S EXCLUDED

Communication and data ports.

NOTES

This product can only be installed on W/R/S Laminate or Wood Fascias with Power and Data Cut Out.

100

PRODUCT OPTIONS

Finish

AC Clear Anodized

SAMPLE ORDER CODE

CVLP AC

PRICING

302

Grommets provide openings for electrical wiring and communication cables.

WHAT'S INCLUDED

1 cover and 1 ring.

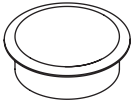
NOTES

Cut out diameter must be 60 mm.

Plastic Grommet is finished in Black.

Metallic Grommet is finished in Platinum Coordinate.

**CVLG
Field-Installed Grommet**



PRODUCT OPTIONS

Style
P Plastic Grommet
M Metallic Grommet

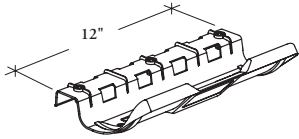


SAMPLE ORDER CODE

CVLG P

STYLE	PRICING
P	21
M	91

CVLT Wire Tray



This product is installed below a worksurface for wire management.

WHAT'S INCLUDED

1 wire tray and hardware.

WHAT'S EXCLUDED

Power bar.

NOTES

Can be installed under any Teknion worksurface.

Can also be used to support the Power Rod (YEPD).

102

PRICING

21

Provides casual wire management of lighting products installed underneath mounted storage.

WHAT'S INCLUDED

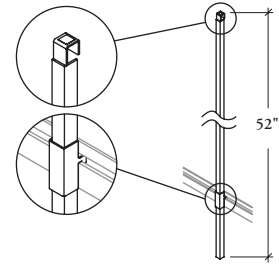
1 vertical cover and mounting hardware.

NOTES

Capacity for one 3-Wire cord.

Exact dimension must be cut on site for perfect adjustment with storage.

**CVLC
Mounted Storage Wire Cover**



PRODUCT OPTIONS

Height	Finish
52	AC Clear Anodized

I03

SAMPLE ORDER CODE

CVLC 52	AC
---------	----

**DIMENSIONS
INCHES / MM**

H
52 / 1321

PRICING

42

teknion

www.teknion.com

IN CANADA:

1150 Flint Road
Toronto, Ontario
M3J 2J5 Canada
Tel 866.teknion
866.835.6466

IN THE USA:

350 Fellowship Road
Mt Laurel, New Jersey
08054 USA
Tel 877.teknion
877.835.6466

OTHER OFFICES LOCATED IN:

Europe, South and Central America
Middle East, Asia and Russia
For regional contact information
go to www.teknion.com

CAN/US/INT 04-30

©Teknion 2018

®, ™ trade marks of Teknion
Corporation and/or its subsidiaries or
licensed to it. Patents may be pending.

Some products may not be available
in all markets. Contact your
local Teknion Representative for
availability.

APRI8-WRS