



Teknion architectural products

altos

# Altos overview

Altos® is an innovative architectural wall system designed with a clean, modern aesthetic. Simple and efficient, Altos facilitates cost-effective reconfiguration or full relocation as required. Its unique universal framework allows changes in elevation, dimension, Fascia function and finish to maximize the life of the product.

Altos provides a perfect balance of form and function:

- Understated Design – clean, crisp European aesthetic
- Functionality – fully relocatable, modular wall system
- Integration – interfaces with building architecture and integrates with furniture products
- Sustainability – reusable parts promote environmental responsibility
- Acoustics/Performance – offers both sound-blocking and sound-absorbing properties
- Return on Investment – easily reconfigured components translate to low cost of ownership
- Technology – clear wall cavity accepts four types of electrics, both hard-wired and quick disconnect systems; as well as standard off-the-shelf UL/CSA approved boxes

storefront

space division

private office

executive office

training room

executive boardroom



Designed with distinct lines and simple details, Altos lends itself to use as an elegant storefront.

Varied combinations of colors, materials and Fascia styles allow a creative approach to dividing space and defining levels of privacy.

Altos walls combine privacy and aesthetics in the managerial office. Solid Fascias provide visual and acoustical privacy, while clear glazing permits visual access and brings light into the office. Wall-suspended furniture enhances wall functionality.

The simple contemporary elegance of Altos is ideal for executive settings. Walls finished in rich veneers complement the range of Teknion's wood furniture.

Altos offers a simple way to define spatial boundaries. Smart Fascias, such as Whiteboard and Tackboard, facilitate training and project room activities. Clerestory glazing transmits light at the upper level, while the Pocket Door maintains privacy.

Solid Fascias finished in warm veneers project a prestige appropriate to the boardroom. Wall-mounted storage cabinets utilize the vertical plane while minimizing required floor space.

# Understated design

The clean, crisp lines of Altos harmonize with building interiors. Use of laminate, veneer, glass and fabric on vertical surfaces offers creative use of finishes. Thin anodized frames project a modern aesthetic, while vertical and horizontal reveals add visual interest.

## ARCHITECTURAL FEATURES

- ¼-inch frames intersect to create clean connections and a crisp look
- ¼-inch reveals between Fascias match datum lines of Teknion furniture for visual continuity
- The design of radius-profile Glass frames and square-edge Solid Fascias allow Altos to be used as a traditional moveable wall system, as well as a permanent Storefront
- Perpendicular walls connect off-module to maintain the homogenous look offered by same-width Fascias on the primary/spine wall



GLASS FASCIAS:  
*Front – Frost/Frost*  
*Back/Sides – Clear/Frost*

SOLID FASCIAS:  
*Anodized Aluminum*

BARN DOORS:  
*Glass – Clear*

SEATING:  
*Contessa,*  
*Frame – Tess Silver*  
*Upholstery – Tess Mesh,*  
*Light Grey*

*Aegis Bench –*  
*Leather, White*



# Functionality

Altos is a completely modular wall system. Offered as a series of individual components, it is constructed as a build-up and shipped disassembled to easily reconfigure and relocate between floors or buildings.

## UNIVERSAL FRAMEWORK

- Ceiling/base channels and vertical posts act as the framework for Altos wall segments
- The framework accepts Fascias that can be removed and interchanged without deconstructing the framework, saving time and costs

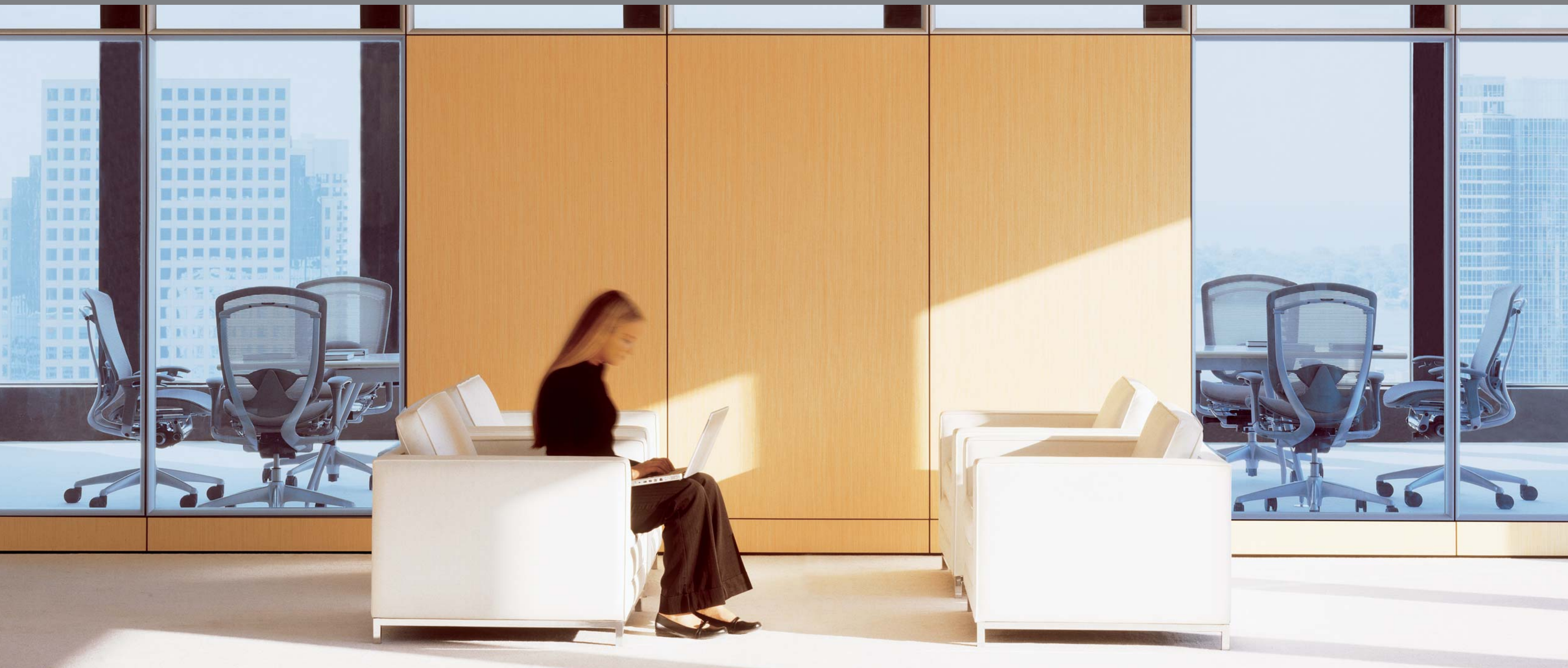
- The framework easily reconfigures to accommodate change — horizontal rails can be added to change wall elevation or to manage electrics

## HANGING COMPONENTS

- Vertical posts have standard slotting at every inch:
  - permits overhead cabinets, worksurfaces and accessories to be hung at any height
  - reduces furniture costs of associated worksurface supports such as modesty panels and end gables

## DURABILITY VS. DRYWALL

- Altos Fascias require less time and expense to replace versus the repair or reconstruction of drywall



SHOWN:  
*Altos with Tux soft seating, Contessa task seating and Conference Table*

GLASS FASCIAS:  
*Specialty Glass – Vanceva, Aquamarine*

SOLID FASCIAS:  
*Veneer – Flintwood, Flax*

CONFERENCE TABLE:  
*Natural Veneer – Maple*

SEATING:  
*Contessa, Frame – Tess Silver Upholstery – Tess Mesh, Light Grey Tux – Leather, White*



# Building integration

Altos walls can be used in any building environment and almost anywhere on a floorplate. Vertical posts with 1-inch increments accommodate standard ceiling heights between 8 and 10 feet. Non-standard ceiling heights can also be fitted to a maximum of 12 feet.

## BUILDING INTERFACE

- Vertical posts enable independent floor/ceiling vertical adjustment of +1½ inches and - ½ inch, adapting to floor/ceiling variances
- Walls can begin at the building perimeter, window mullions, columns or drywall
- Standard-size panels can be cut in the field for scribing around window sills, bulkheads, etc., adjusting to construction elements

# Product integration

Altos offers functional and aesthetic integration with Teknion's Optos seamless glass wall, systems furniture, casegoods, storage and seating. Altos also accommodates lighting requirements and raised floor applications.

## INTEGRATION WITH OPTOS

- Altos walls connect to Optos at 2-, 3- and 4-way corners as well as variable angle corners

## WALL-MOUNTED FURNITURE

- Altos is compatible with Transit work-surfaces that can be wall-mounted or semi-suspended to furnish a complete office
- To conserve floor space and enhance functionality, walls accept shelving and mounted storage from Teknion's Filing & Storage program



SHOWN: *Altos with Leverage work-surfaces, Ledger storage, Contessa task seating and Nami guest seating*

GLASS FASCIAS: *Clear/Clear*

SOLID FASCIAS: *Fascia Laminate – Storm White*  
*Base/Ceiling Fascias – Anodized Aluminum*

BARN DOOR: *Glass – Clear*

FURNITURE: *Leverage worksurfaces, Seamless Color – Platinum; Ledger storage, Mica – Platinum*

SEATING: *Contessa, Frame – Tess Silver*  
*Upholstery – Tess Mesh, Light Grey*  
*Nami – Storm White*

SHOWN: *Altos with Transit work-surfaces, Almanac Overhead Cabinets, Contessa task seating, Nami guest seating and Aegis bench.*

GLASS FASCIAS: *Clear/Clear*

SOLID FASCIAS: *Fascia Laminate – Storm White*  
*Base/Ceiling Fascias – Anodized Aluminum*

BARN DOOR: *Glass – Clear*

FURNITURE: *Transit Worksurfaces, Foundation Laminate – Storm White*  
*Almanac Overhead Cabinets, Mica – Platinum*

SEATING: *Contessa, Frame – Tess Silver*  
*Upholstery – Tess Mesh, Light Grey*  
*Nami – Storm White*





Sustainability / certification

Unlike drywall, Altos walls are completely reusable — making Altos the sustainable product choice.

- ENVIRONMENTAL RESPONSIBILITY**
- Reduces drywall construction and demolition waste shipped to landfills
  - Reduces carpet waste associated with cutting around drywall construction
  - Reduces on-site dust, noxious fumes and noise pollution associated with drywall construction
  - Improves indoor air quality associated with lack of drywall dust and paint fumes
- CERTIFICATION / CODE COMPLIANCE**
- GREENGUARD® for Indoor Air Quality
  - ISO 9001-2000 Quality Management System
  - ISO 14001-2004 Environmental Management System
  - Meets ICC-ES building code standards, including compliance for seismic zones
  - CSA/UL certified



SHOWN ON PREVIOUS PAGE: *Altos with Optos seamless glass wall, District cabinets, Audience tables and Metrix task seating*

SOLID FASCIAS: *Veneer – Flintwood, Flax*

ACOUSTIC FASCIAS: *Architectural fabrics – Rib, Storm White*

OPTOS: *Glass – Graded-in Vanceva, Polar White and Clear Base Reveal – Platinum*

FURNITURE: *District cabinets, Audience meeting table – Flintwood, Flax*

SEATING: *Metrix, Frame – Polished Aluminum Upholstery – Leather, White*

SHOWN ABOVE: *Altos with Solitär wood casegoods and Contessa task seating*

GLASS FASCIAS: *Front – Clear/Clear Back – Clear/Frost*

SOLID FASCIAS: *Veneer – Flintwood, Black Walnut*

HINGE DOOR: *Veneer – Flintwood, Black Walnut*

SEATING: *Contessa, Frame – Tess Silver Upholstery – Tess Mesh, Light Grey*



# Acoustics / performance

Altos walls can provide both sound-blocking and sound-absorbing properties. Altos' ability to block sound transmission equals or exceeds standard drywall construction or other wall systems. No insulation is required to achieve normal speech privacy.

## STC (SOUND TRANSMISSION CLASS)

- Solid monolithic elevation provides:
  - 40 STC with no insulation
  - 48 STC with insulation
- Double Glazed full-height elevation provides:
  - 38 STC
  - A balance of acoustic privacy and light penetration

- Acoustic Fascias provide:
  - 32 STC with no insulation
  - 40 STC with recycled cotton insulation
- Standard drywall construction:
  - 38-40 STC with no insulation

## NRC (NOISE REDUCTION COEFFICIENT) PERFORMANCE TESTING

- Acoustic Fascias provide:
  - 0.75 NRC
- Tested in accordance with ASTM E90 requirements — airborne sound transmission loss of building partitions and elements
- Up to Class A fire rating



SHOWN:  
*Altos with Expansion  
Training Tables  
and t-3 task seating*

GLASS FASCIAS:  
*Frost/Frost*

SOLID FASCIAS:  
*Fascia Laminate –  
Stainless*

TACKABLE FASCIAS:  
*Panel Fabric –  
Speckle, Fleck*

POCKET DOOR:  
*Fascia Laminate –  
Stainless*

TRAINING TABLES:  
*Foundation Laminate –  
Storm White*

SEATING:  
*t-3, Back – Mesh  
Seat – Black Leather*



# Return on investment

Altos' intrinsic ability to be reconfigured and repurposed maximizes the life of the product, translating to a low cost of ownership.

## COST-EFFECTIVE

- Reduced cost of change — universal frame permits change in Fascia aesthetic, width, function and elevation
- Compressed construction schedules
- Phased-in installation
- Inventory management
- Accelerated depreciation

## TAX ADVANTAGES

- For tax purposes, in North America Altos is classified as office furniture and equipment. As a result, its cost can be depreciated on an accelerated basis over 7½ years versus 39 years for fixed construction.



SHOWN:  
*Altos with Almanac  
Cabinets, Conference  
Table and Contessa  
task seating*

GLASS FASCIAS:  
*Front – Clear/Clear  
Back/Sides – Clear/Frost*

SOLID FASCIAS:  
*Veneer – Flintwood, Flax*

BARN DOOR:  
*Glass – Frost*

STORAGE:  
*Almanac,  
Case – Mica, Platinum  
Doors – Glass, Frosted  
Drawers – Flintwood, Flax*

CONFERENCE  
TABLE:  
*Natural Veneer – Maple*

SEATING:  
*Contessa,  
Frame – Tess Silver  
Upholstery – Tess Mesh,  
Light Grey*

# Altos fascias

Fascias sheathe the Altos framework to enclose, separate and define space. Classified by materials and elevations, Fascias readily interchange to alter aesthetics and function without costly, time-consuming and disruptive replacement of an entire wall section.

## FASCIA FEATURES

- To expand planning applications and customize design, inner and outer Fascia elevations and finishes may differ
- Fascias are available in laminate, veneer, glass and fabric – all supported within the same framework
- Fascias build up to accommodate ceiling heights of 96 to 120 inches in 1-inch increments
- Ceiling and Base Fascias are available 4 and 6 inches high (not used with Monolithic Fascias)
- Fascias are offered in core widths of 12, 30, 36, 40, 42 and 48 inches to accommodate integration of furniture products
- Standard widths are accommodated with 1-inch incremental sizes between 12 and 48 inches
- Working Wall elevations integrate Smart Fascias which provide functionality to the vertical surface of the wall
- Smart Fascias include Tackboard, Whiteboard and Accessory

## STANDARDIZED PLANNING

Planning with standardized core Fascia widths offers the following advantages:

- Permits worksurfaces, mounted storage and accessories to be suspended from Altos walls
- Simplifies planning with limited number of Fascia width variations
- Better accommodates reconfiguration and inventory management
- Maintains a homogenous aesthetic

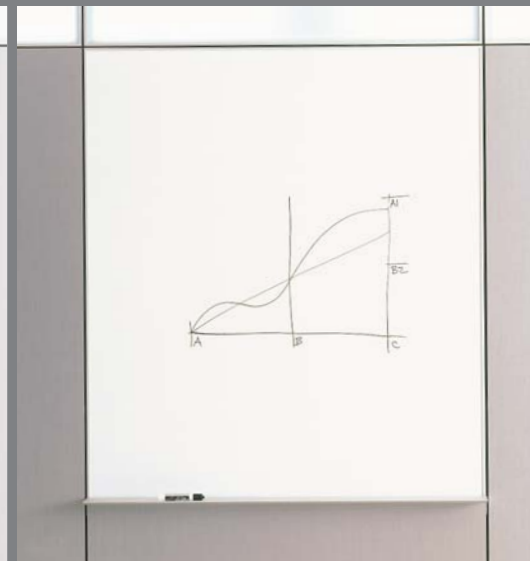
## WALL ELEVATIONS

- Monolithic – no horizontal reveals
- Full-Height – one Fascia between Base and Ceiling Fascias
- Segmented – two Fascias between Base and Ceiling Fascias; one reveal at 84 inches above finished floor
- Segmented Monolithic – no Base and Ceiling Fascias; two Fascias between floor and ceiling; one reveal at 84 inches above finished floor
- Working Wall – three Fascias between Base and Ceiling Fascias; two reveals at 36 and 84 inches above finished floor
- Working Wall Monolithic – no Base and Ceiling Fascias; three Fascias between floor and ceiling; two reveals at 36 and 84 inches above finished floor



### TACKBOARD FASCIA

The Tackboard Fascia has a fabric-wrapped surface available in all Teknion panel and Architectural fabrics. It can be used with a 3-inch shelf to display and support items.



### WHITEBOARD FASCIA

Providing a dry-erase surface, the Whiteboard Fascia can be used with a 3-inch shelf to support markers and brushes. It provides a magnetic surface for added functionality.



### ACCESSORY FASCIA

The Altos Accessory Fascia has a 15-inch-high accessory rail that can be used to suspend Altos shelves and Personal Organizers.



### ACOUSTIC AND FABRIC FASCIAS

Acoustic Fascias provide superior sound-blocking and sound-absorbing properties, addressing both STC and NRC within an enclosed space. A tackable surface adds functionality. Fabric Fascias are fabric-wrapped solid fascias, aesthetically similar to Acoustic Fascias but do not provide sound-absorbing properties.



### BLINDS

For variations in privacy and light transmission, Blinds can be installed within double-sided Glazed Fascias. A control knob mounted on either side of the vertical frame activates the Blinds.



### WORKING WALL FASCIA

The Working Wall Fascia with cutouts supplies face-mounted power/communications access, utilizing receptacle and communications modules to deliver power/data. The cutouts accept client-supplied electrical/data boxes, receptacles and faceplates.



# Altos finishes

Altos offers an array of color and material choices. Selecting varying tones and patterns, and applying them to different Fascia elevations, offers creative combinations. Altos finishes and patterns coordinate with Teknion furniture products for a beautifully integrated interior palette.

## FASCIA FINISHES

- Solid Fascias
  - Available in Laminate and Veneer
  - Veneer grain direction is vertical and continues through all Fascia elevations
  - Feature a finished square edge

Glass Fascias: Clear/Frost  
 Frames: Clear Anodized  
 Solid Fascias: (left) Laminate – Stainless;  
 (right) Veneer – Flintwood, Light Oak

Glass Fascias: Vanceva, Golden Light; Sapphire; Ruby Red  
 Frames: Clear Anodized  
 Solid Fascias: Laminate – Storm White

- Glass Fascias
  - Available in Clear, Frost and Architectural Patterns
  - Glass Fascias may be Double-Sided or Single-Centered for different aesthetic applications
  - Radius-profile frame is available in clear anodized and painted finish

Glass Fascias: Vanceva, 80% Cool White  
 Frames: Clear Anodized  
 Solid Fascias: Veneer – Flintwood, Flax

- Acoustic and Fabric Fascias
  - Available in Architectural fabrics that offer environmentally-conscious sophisticated patterns with linear appeal
  - Feature a fabric-wrapped square edge
  - Acoustic Fascias feature sound-absorbing and sound-blocking properties

Glass Fascias: Clear  
 Frames: Anodized Aluminum  
 Solid Fascias: Laminate – Stainless

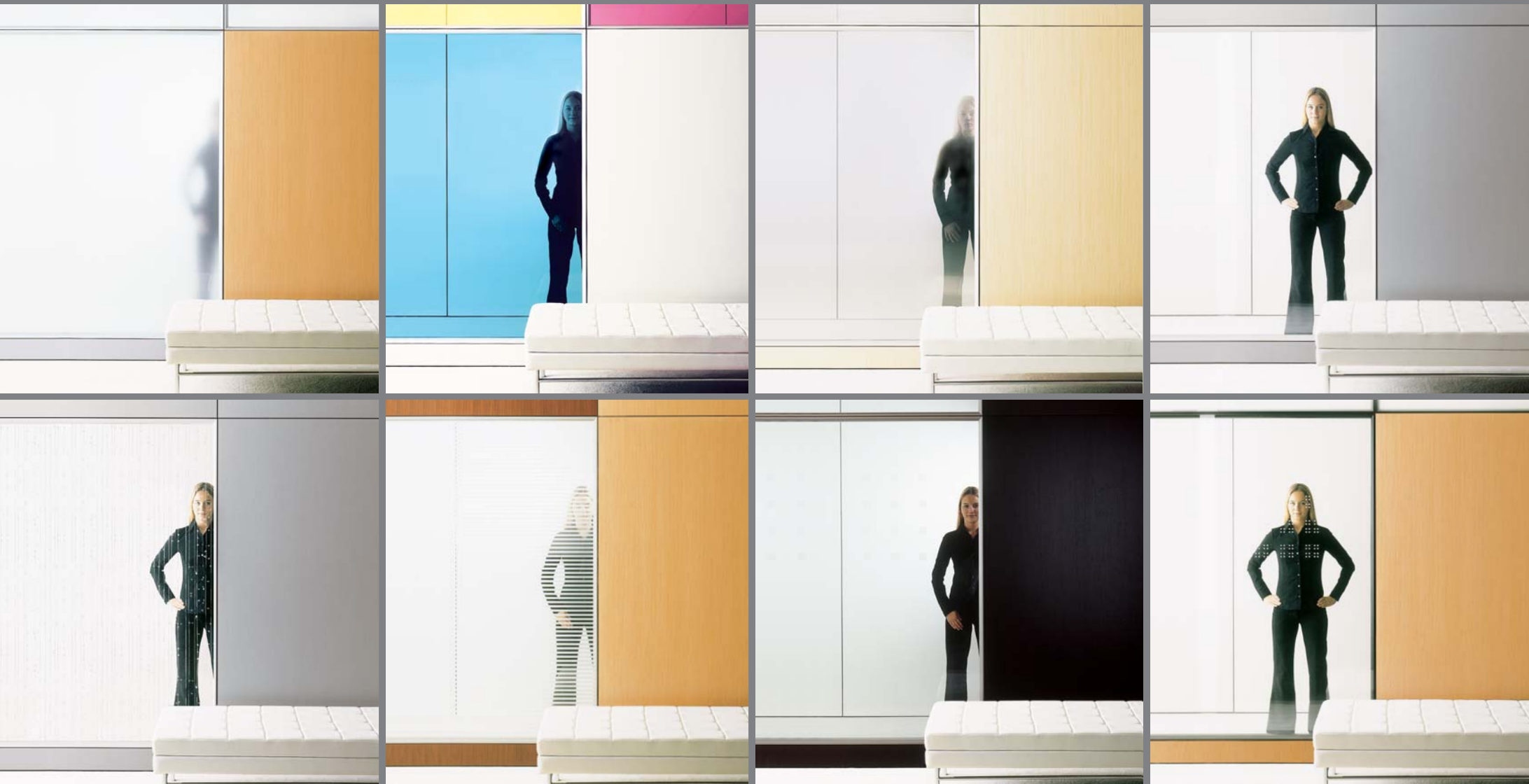
## SPECIALTY GLASS

Teknion offers a creative collection of architectural glass on Altos walls.

- Skyline Design
  - A collection of etched patterns offering varying degrees of light and privacy
  - Patterns are produced using an environmentally-friendly etching process

- Vanceva
  - A collection of laminated colors in transparent and translucent options
  - Colors are permanently laminated together between glass forming a durable, easy to maintain surface

## DOUBLE-SIDED GLASS FASCIA



^  
 Glass Fascias: Skyline, Weaves & Textures,  
 Purl – Option A  
 Frames: Espresso painted  
 Solid Fascias: Fascia Laminate – Stainless

^  
 Glass Fascias: Architectural Louvered  
 Frames: Latte painted  
 Solid Fascias: (left) Veneer – Flintwood, Chianti  
 (right) Veneer – Flintwood, Light Oak

^  
 Glass Fascias: Clear; Architectural Frosted Solo Square  
 Frames: Latte painted  
 Solid Fascias: Veneer – Flintwood, Dark Olive

^  
 Glass Fascias: Frost; Architectural Frosted Square Collective  
 Frames: Espresso painted  
 Solid Fascias: Veneer – Flintwood, Light Oak

^  
 SINGLE-CENTERED GLASS FASCIA

# Altos doors

Altos offers a selection of doors to meet privacy needs. Most doors are available in Full and Segmented heights, in different styles, finishes and handle options to offer a range of aesthetic choices.

## DOOR FEATURES

- Full-Height Doors are available for ceiling heights of 96 to 120 inches in 1-inch increments
- Segmented-Height Doors are fixed at 84 inches and can be used for ceiling heights of 96 to 120 inches in 1-inch increments
- Transoms are available for use above Segmented-Height Doors
- To minimize sound leakage, most Doors are available with an optional drop seal
- To prevent wall damage, swing Doors include a base-mounted door stop

## DOUBLE GLASS BARN DOOR, FULL-HEIGHT

- 72 and 80 inches wide (with door frame)
- Glass thickness is 10mm
- Creates a sliding door by mounting to the inside or outside face of wall modules



## DOOR STYLES

- Pocket Door
- Hinged Door
- Hinged Double Door
- Pivot Door
- Barn Door
- Double Barn Door

## POCKET DOOR, SEGMENTED-HEIGHT

- 96 inches wide (with door frame)
- Consists of a sliding door leaf that tucks into an adjacent frame cavity, each measuring 48 inches in width
- Door leaf measures 1¾ inches thick
- Space efficient, as no door swing space is required



## GLASS BARN DOOR, SEGMENTED-HEIGHT

- 40, 42 and 48 inches wide (with door frame)
- Glass thickness is 10mm
- Mounts to the inside or outside face of wall modules

## DOOR FINISHES

Most door styles are available in the following finishes:

- Solid – Laminate and Veneer
- Solid with Glass Insert

- Glass – Clear and Frost
- Door frames are available in clear anodized aluminum and painted
- Door handles and hinges are brushed chrome

## HINGED GLASS DOOR, FULL-HEIGHT

- 40 and 42 inches wide (with door frame)
- Glass thickness is 10mm
- Creates a 90-degree swing
- An optional 10-inch-high kickplate is available



## SOLID BARN DOOR, FULL-HEIGHT

- 40, 42 and 48 inches wide (with door frame)
- Solid door thickness is 1¾ inches
- Mounts to the inside or outside face of wall modules

## HINGED SOLID DOOR, FULL-HEIGHT

- 40 and 42 inches wide (with door frame)
- Hinged Double Door (not shown) is available
- 72, 80 and 84 inches in width
- Door leaf measures 1¾ inches thick
- Creates a 180-degree swing
- Pivot Doors (not shown) offer the same features



## BARN DOOR WITH GLASS INSERT, FULL-HEIGHT

- 40, 42 and 48 inches wide (with door frame)
- Solid door thickness is 1¾ inches
- Glass thickness is 10mm
- Mounts to the inside or outside face of wall modules

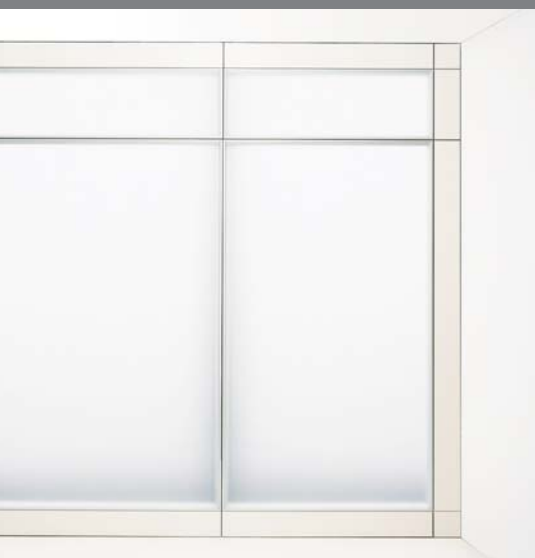


## Special architectural conditions

Altos adapts to site conditions and architectural features often encountered in building construction, such as bulkheads, window sills, baseboards and drapery pockets. Products such as Filler Panels, Adjustable Wall Ends and Wall Starts tailor fit Altos to building structures.

### FILLER PANEL

The Filler Panel can be cut to fit around building structures, such as a bulkhead. It is available as a 24- and 30-inch-wide sheet which is cut to size on-site.



## Hanging accessories

Altos accepts a variety of hanging accessories that personalize the workspace while also adding functionality and efficiently using space.

### ART HOOK

The Art Hook mounts from the horizontal reveal above the Fascia. The 48-inch-long cord adjusts to position artwork at the desired height.



### SIGNAGE

Office Signage coordinates with workstation signage used for systems furniture. Information signage is also available to display information such as meeting schedules and awards.

### TOLOMEO LIGHT

Available from Teknion's Complements program, the Tolomeo light neatly mounts into the Altos vertical reveal.



### COAT HOOK

The Coat Hook mounts on-module in the vertical reveal at any height.

## Technology

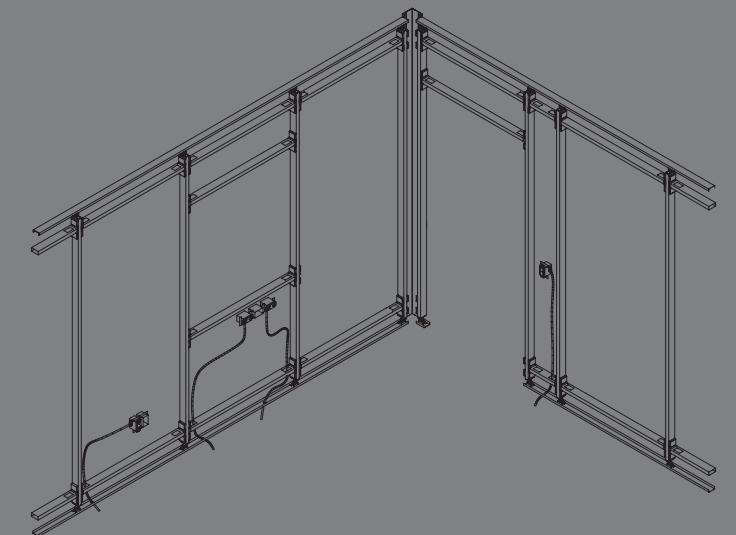
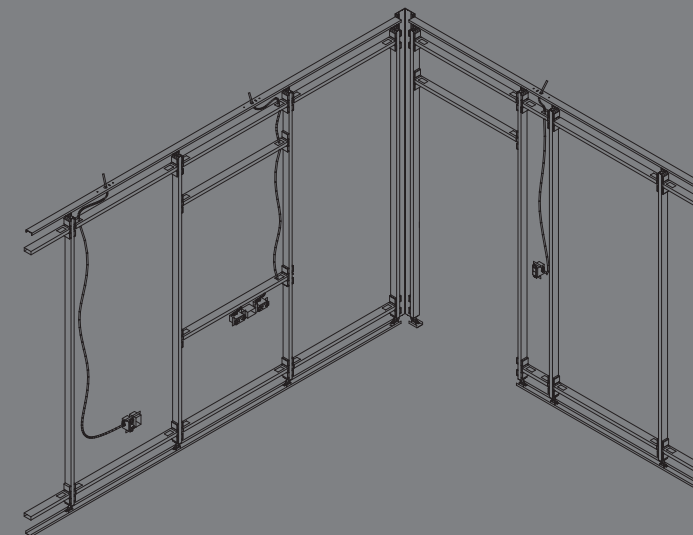
Designed to handle technology, Altos walls are 4 inches thick with 2½ inches of accessible, clear cavity space that allows wires to be run horizontally and vertically. Altos electrics are contained in a metal conduit with RF shielding for separate power/data integrity.

### RECEPTACLE LOCATIONS

- Base height
- 18-inch height
- Worksurface height
- 42-inch height for switches
- Custom locations easily accommodated

### THREE TYPES OF ELECTRICS

- Field Supplied
  - client customized
  - standard or isolated circuit wire system
- Hardwire
  - each receptacle fed individually
  - standard or isolated circuit wire system
- Modular Electrics
  - allows for spine planning and routing power between receptacles
  - requires fewer connections to building power
  - cost-effective and easy to reconfigure
  - compatible with systems furniture
  - supports 4- to 8-wire systems



## >> Power and communications cable distribution

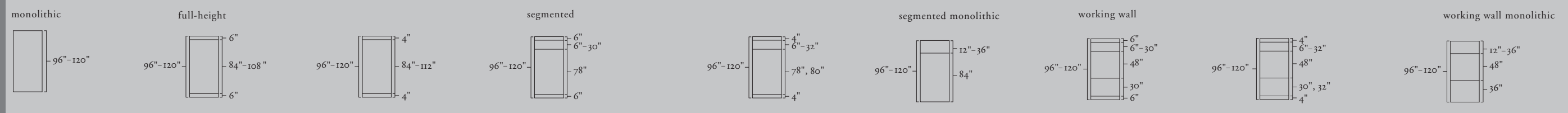
^  
**CEILING FEED (left) / BASE FEED (right)**  
 Cables are fed from the ceiling or access floors through cutouts in ceiling and base channels to Receptacle and Communications Modules.

### ^ ADJUSTABLE WALL END

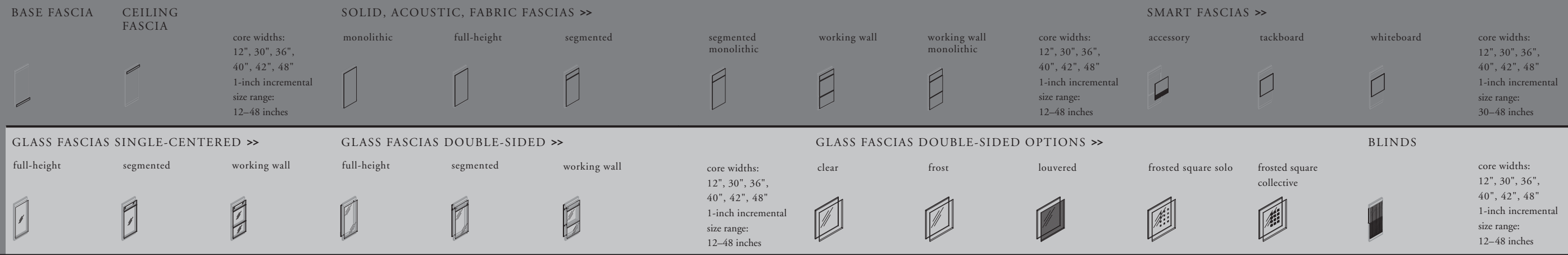
The Adjustable Wall End allows dimensional adjustment of wall width on-site to complete a wall run where interfacing with building architecture.

# At a glance

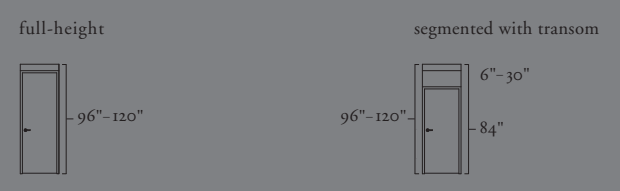
## Wall elevations



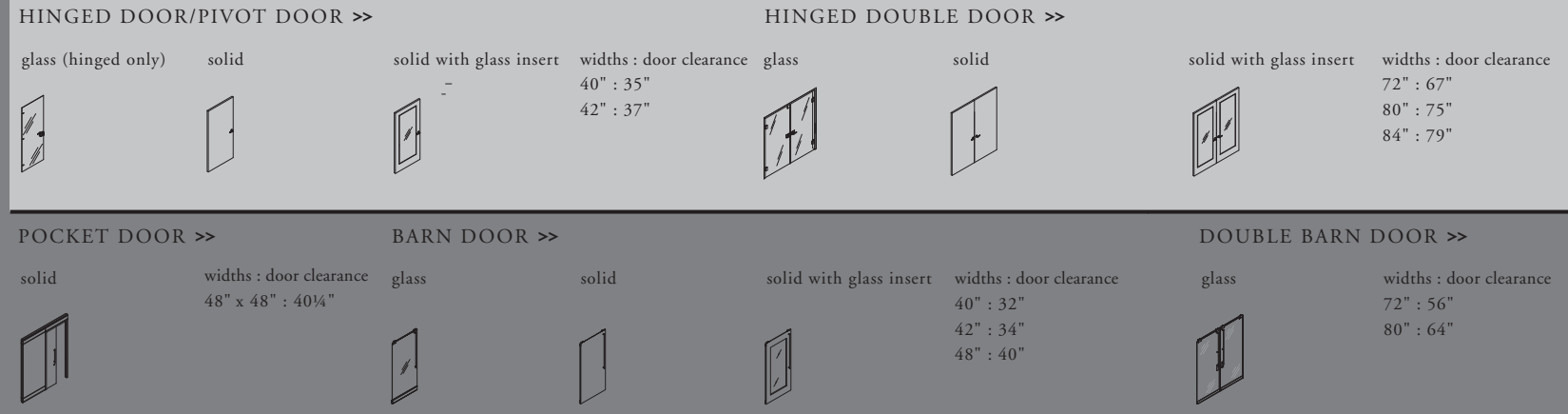
## Fascias



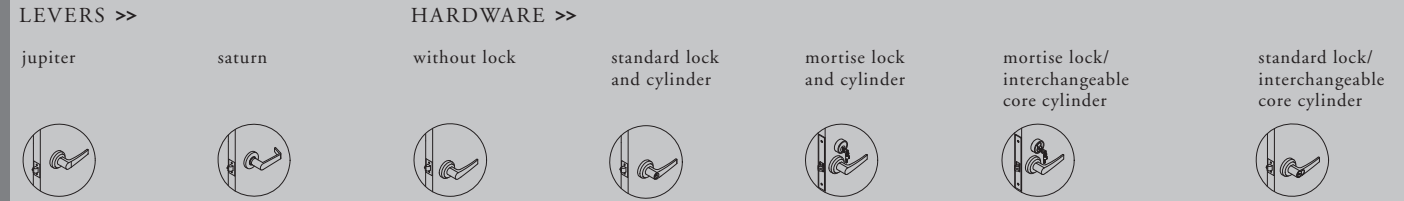
## Door elevations



## Door styles



## Door handles





TEKNION CORPORATION

IN CANADA:

1150 FLINT ROAD  
TORONTO, ONTARIO  
M3J 2J5 CANADA  
TEL 866.TEKNION  
866.835.6466  
FAX 416.661.4586

IN THE USA:

350 FELLOWSHIP ROAD  
MT LAUREL, NEW JERSEY  
08054 USA  
TEL 877.TEKNION  
877.835.6466  
FAX 856.552.5088

OTHER OFFICES LOCATED IN:

EUROPE  
SOUTH AND CENTRAL AMERICA  
MIDDLE EAST  
ASIA  
RUSSIA  
FOR REGIONAL CONTACT  
INFORMATION GO TO  
www.teknion.com

TEKNION EMBRACES CHANGE AND ITS INNATE POSSIBILITIES. OUR CULTURE IS ONE OF INNOVATION. IN THAT SPIRIT, WE HAVE STEPPED FORWARD TO INTEGRATE SUSTAINABLE PRINCIPLES AND PRACTICES INTO THE DESIGN, MANUFACTURING AND MARKETING OF OUR PRODUCTS.

TEKNION PRODUCTS PERFORM INDEPENDENTLY AND IN CONCERT, COMBINING IN VIRTUALLY UNLIMITED CONFIGURATIONS. OUR PHILOSOPHY EMBRACES DESIGN AS ONE OF THE BEST TOOLS WE HAVE FOR REALIZING THE BENEFITS OF BUSINESS, WHILE ALSO STRIVING TO REACH SUSTAINABLE GOALS.

WE HAVE LEARNED FROM DESIGN THAT CHANGING A SINGLE DETAIL ALTERS THE WHOLE. EVERY INCH MAKES A DIFFERENCE. EVERY LEAP IS THE SUM OF MANY SMALL STEPS.

TEKNION CREATES FURNITURE THAT CONNECTS PEOPLE, TECHNOLOGY AND SPACES; INTEGRATED DESIGN WITH NEW POSSIBILITIES FOR A HEALTHY, PRODUCTIVE WORLD TOMORROW AND THE DAY AFTER.

CAN/US/INT II-II

©TEKNION 2006-2011

®, ™ TRADE MARKS OF TEKNION CORPORATION AND/OR ITS SUBSIDIARIES OR LICENSED TO IT. PATENTS MAY BE PENDING. SOME PRODUCTS MAY NOT BE AVAILABLE IN ALL MARKETS. CONTACT YOUR LOCAL TEKNION REPRESENTATIVE FOR AVAILABILITY.

PRODUCT DESIGN: GIUGIARO DESIGN. CONTESSA IS SOLD UNDER LICENSE FROM OKAMURA CORPORATION

BROCHURE DESIGN: VANDERBYL DESIGN PRINTED IN CANADA SB700004

