

application guide

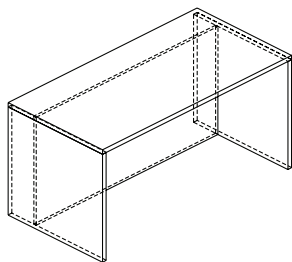
DESKS	14
RETURN & CORNER DESKS REQUIRING SHARED SUPPORT	15
DESKS REQUIRING SHARED SUPPORT	16
BRIDGES	18
CREDENZAS	19
HUTCHES	20
STORAGE	22
EDGE DETAILS	23
GROMMET LOCATION	24

desks

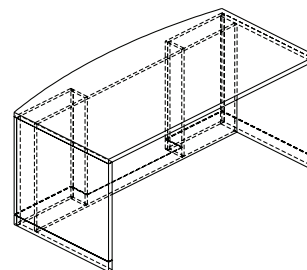
The images below illustrate the available freestanding desk styles.

❖ Rectangular, Bowtop and Computer Table can stand alone or they can be used in conjunction with a Bridge or Return Shell

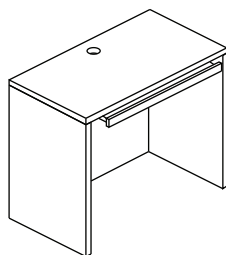
I4



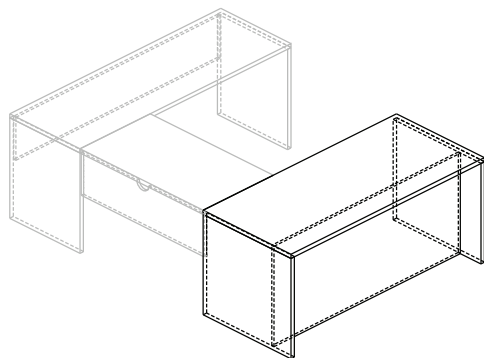
RECTANGULAR DESK SHELL (ZWDRL)
Available with a 28" High Modesty Panel
Only



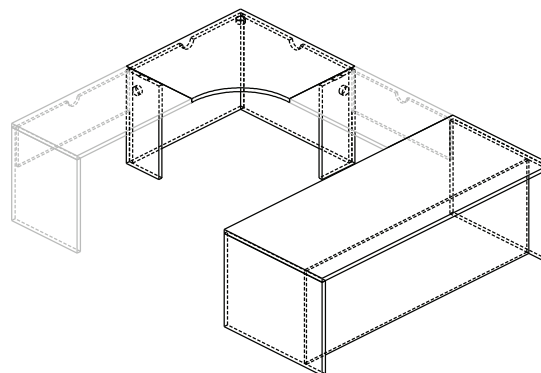
BOWTOP DESK SHELL (ZWDBL)
Available with a 28" High or
Breakfront Modesty Panel (shown)



COMPUTER TABLE (ZWDCT)



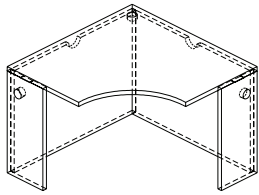
Rectangular Desk Shell used in conjunction with a Bridge Top and 1/2-Height Modesty Panel Back and Credenza Shell with a 1/2-Height Modesty Panel.



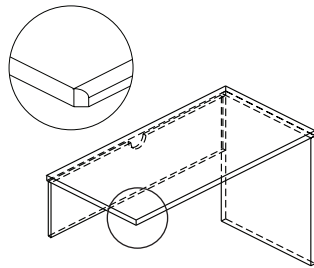
Rectangular Desk Shell used in conjunction with a Bridge Top and 1/2-Height Modesty Panel Back, Corner Desk with Curved User Edge and left handed Return Shell with a 1/2-Height Modesty Panel.

return & corner desks requiring shared support

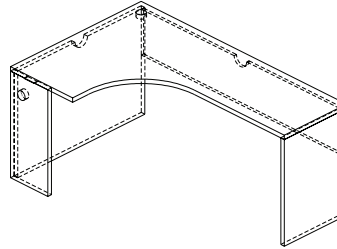
The images below illustrate Return and Corner Desk styles available that must be used in conjunction with a Bridge, Desk or Return Shell.



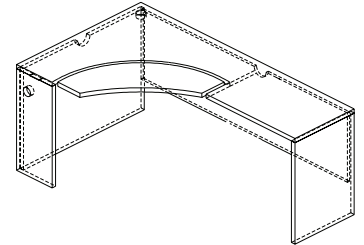
CORNER DESK (ZWDCD)
Available with Straight or Curved User Edge (shown)



RETURN SHELL (ZWRL)
Available with a 1/2-Height (shown), 3/4-Height or Full-Height Modesty Panel



EXTENDED CORNER DESK (ZWRE)
Available with a 1/2-Height (shown), 3/4-Height or Full-Height Modesty Panel



EXTENDED CORNER DESK WITH KEYBOARD SUPPORT (ZWREK)
Available with a 1/2-Height, 3/4-Height (shown) or Full-Height Modesty Panel

Return Desk Shell with a 1/2-Height Modesty Panel used in a right handed position in conjunction with a left handed Extended Corner Desk with Keyboard Support with a 3/4-Height Modesty Panel.

Return Desk Shell with a 1/2-Height Modesty Panel used in a left handed position in conjunction with a Corner Desk, Curved User Edge, a Bridge Top and 1/2-Height Modesty Panel and Rectangular Desk Shell with a 28" High Modesty Panel.

Return Desk Shell with a 1/2-Height Modesty Panel used in a left handed position in conjunction with a Double Fan-Shaped Desk with a 1/2-Height Modesty Panel with scallop grommet.

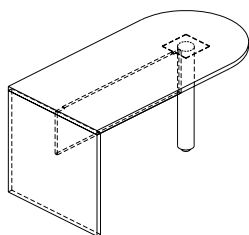
Extended Corner Desk with a Full-Height Modesty Panel used in a left handed position in conjunction with a Bridge Top and 3/4-Height Modesty Panel and left hand Single Fan-Shaped Desk with a 3/4-Height Modesty Panel with scallop grommet.

Return Desk Shell, 3/4-Height Modesty Panel used in a left handed position in conjunction with a left hand P-Shaped Table Desk, 3/4-Height Modesty Panel.

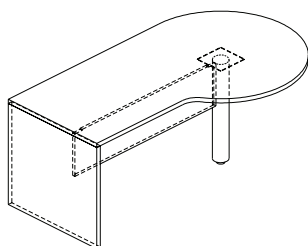
desks requiring shared support

The images below illustrate the available Table Desk styles.

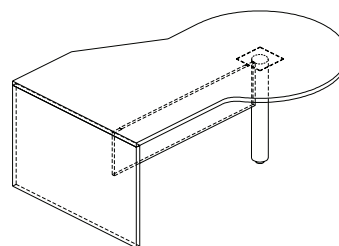
- The Bullet-Shaped, P-Shaped, Single and Double Fan-Shaped Desks must connect to a Bridge or Return Credenza
- Modesty panel is positioned centred on Bullet and Double Fan-Shaped Desks
- Modesty panel on P-Shaped Desks is positioned 21" inset on 30" deep desks and 23" inset on 36" deep desks
- Modesty panel on Single Fan-Shaped Desks is positioned 20" inset on 30" deep desks (users side) and 23" inset on 36" deep desks (users side)
- Support columns are available in three styles: Round, Rectangular and Elliptical



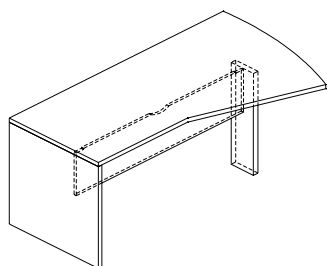
BULLET-SHAPED TABLE DESK (ZWDUT)
Available with a 1/2-Height (shown), 3/4-Height or Full-Height Modesty Panel.



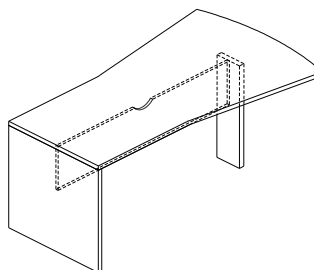
P-SHAPED TABLE DESK (ZWDP)
Available with a 1/2-Height (shown), 3/4-Height or Full-Height Modesty Panel.



P-SHAPED CORNER UNIT (ZWDPC)
Available with a 1/2-Height Modesty Panel.

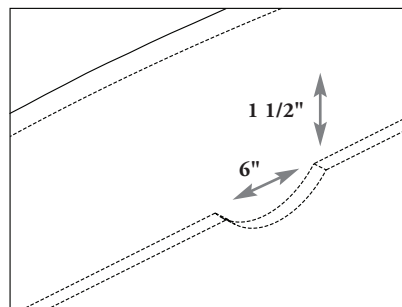
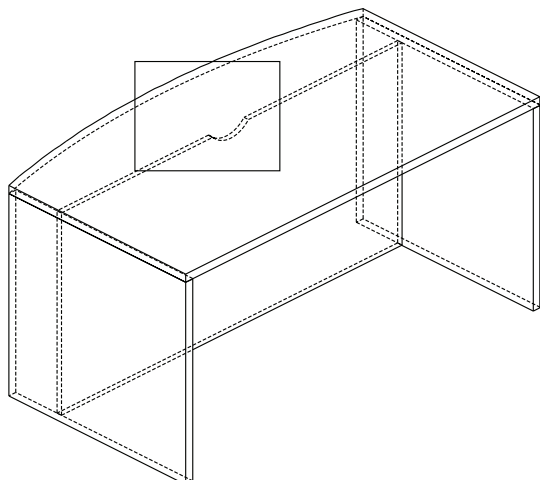


SINGLE FAN-SHAPED TABLE DESKS (ZWSDFT)
Available with a 1/2-Height (shown), or 3/4-Height Modesty Panel.
Right handed desk shown.

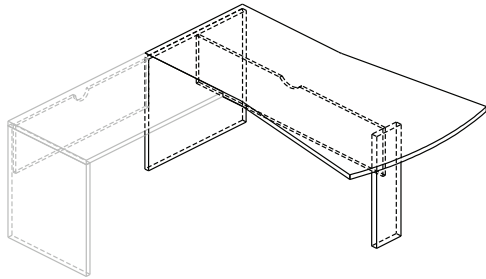


DOUBLE FAN-SHAPED TABLE DESKS (ZWDDFT)
Available with a 1/2-Height (shown), or 3/4-Height Modesty Panel.

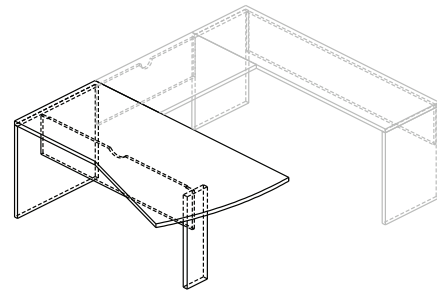
Optional Modesty Panel Grommets are centred on the modesty panel. An upcharge will apply if specified. The opening is 1 1/2" high x 6" wide.



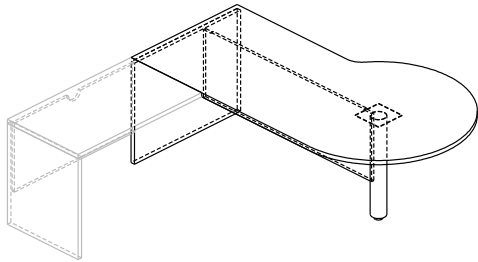
desks requiring shared support (continued)



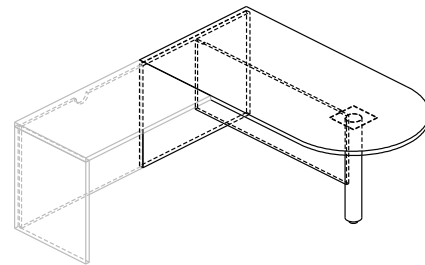
Double Fan-Shaped Desk with a 1/2-Height Modesty Panel used in a left handed position in conjunction with a left handed Return Shell with a 1/2-Height Modesty Panel. Shown with an optional Rectangular Column.



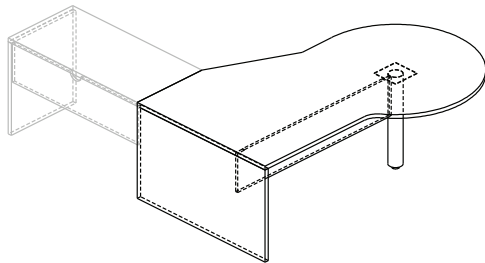
Single Fan-Shaped Desk with a 1/2-Height Modesty Panel used in a right handed position in conjunction with a Bridge Top and 1/2-Height Modesty Panel and Credenza Shell with a 1/2-Height Modesty Panel. Shown with a Rectangular Column.



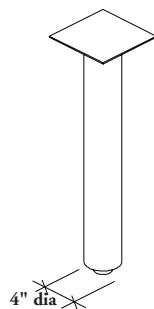
P-Shaped Table Desk with a 3/4-Height Modesty Panel used in a left handed position in conjunction with a Return Shell with a 3/4-Height Modesty Panel. Shown with a standard Round Column.



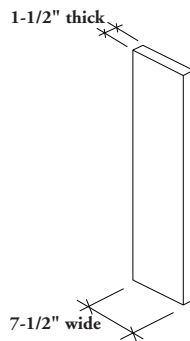
Bullet-Shaped Table Desk with a 3/4-Height Modesty Panel used in a left handed position in conjunction with a Return Shell with a 2/8\"/>



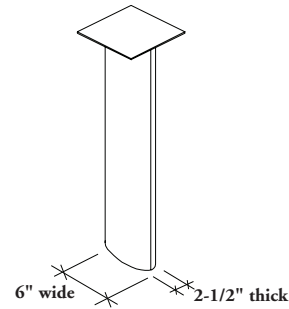
P-Shaped Corner Unit used in conjunction with a right handed Return Shell with a 1/2-Height Modesty Panel. Shown with a Round Column.



ROUND COLUMN
Available in Polished Chrome, Ebony or Veneer



RECTANGULAR COLUMN
Available in Platinum, Ebony or Veneer

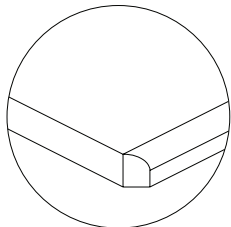


ELLIPTICAL COLUMN
Available in Platinum

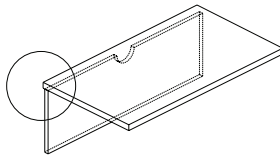
bridges

The images below illustrate Bridge styles available that must be used in conjunction with Table Desks, Returns and or Credenzas.

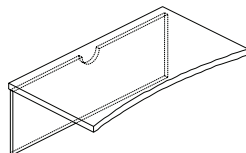
Bridge Detail



Dome Edge



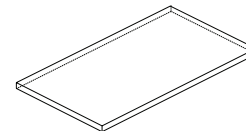
BRIDGE TOP AND MODESTY (ZWBTB)



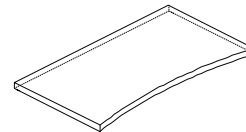
CURVED BRIDGE TOP AND MODESTY (ZWBTCB)

and

Available with a 1/2-Height (shown),
3/4-Height or 28" High Modesty Panel



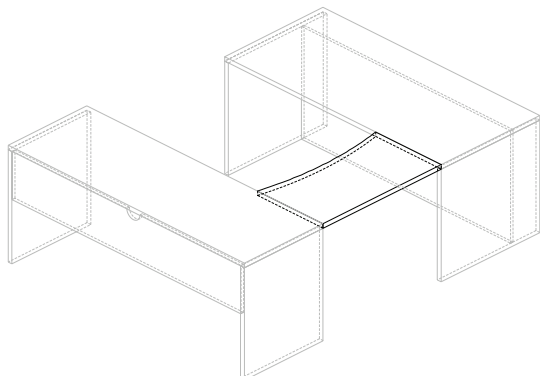
BRIDGE TOP (ZWBTCN)



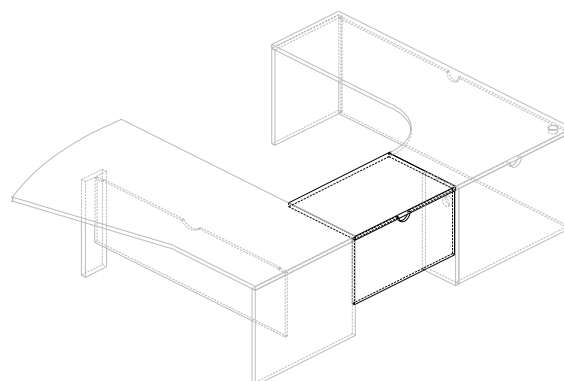
CURVED BRIDGE TOP (ZWBTCN)

and

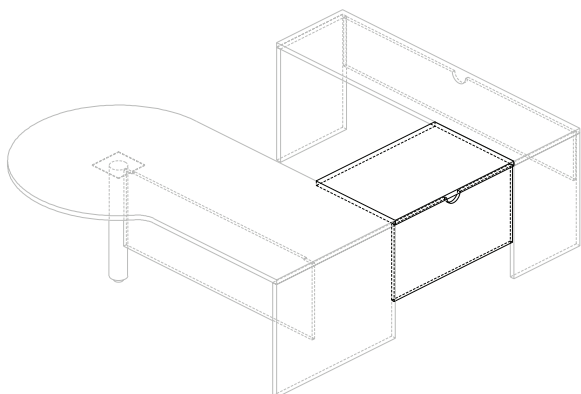
Available with a 1/2-Height (shown),
3/4-Height or 28" High Modesty Panel



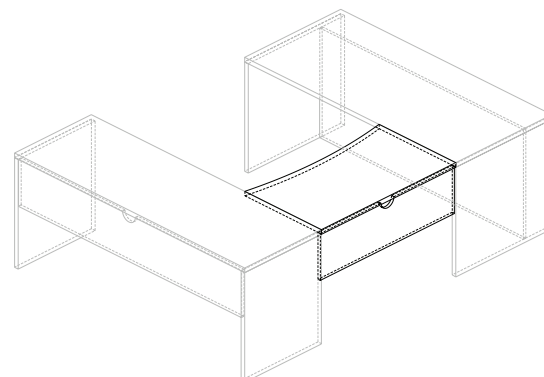
Curved Bridge Top used in conjunction with a Rectangular Desk Shell with a 28" High Modesty Panel and a Credenza Shell with a 1/2-Height Modesty Panel.



Bridge Top and 3/4" High Modesty Panel used in conjunction with a left handed Single Fan-Shaped Desk with a 3/4-Height Modesty Panel and a left handed Extended Corner Desk with a Full-Height Modesty Panel.



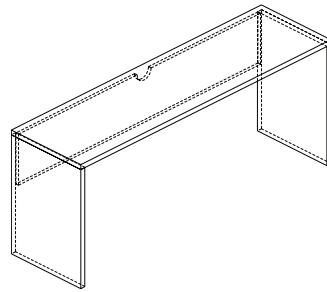
Bridge Top and 3/4-Height Modesty Panel used in conjunction with a left handed P-Shaped Table Desk with a 3/4-Height Modesty Panel and Credenza Shell with a 1/2-Height Modesty Panel.



Curved Bridge Top and 1/2-Height Modesty Panel used in conjunction with a Rectangular Desk Shell with a 28" High Modesty Panel and a Credenza Shell with a 1/2-Height Modesty Panel.

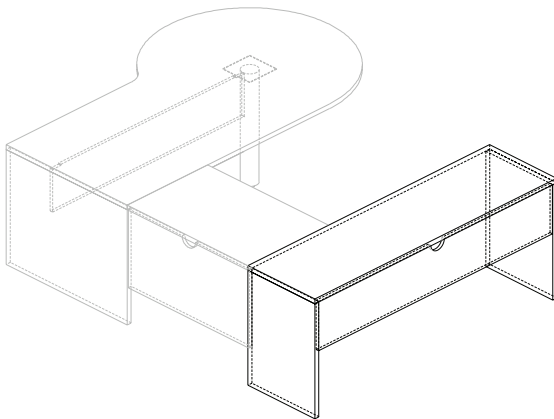
The images below illustrate examples of how the Credenza Shell is used.

- The Credenza Shell can stand alone or can be used in conjunction with a Bridge or Return
- There is no visible gap (1/8") from the underside of the worksurface to the top of the storage unit when storage is positioned inside the Credenza Shell
- Under-worksurface storage does not attach to the underside of Westcoast credenzas, desks and returns. This allows for complete modularity and planning flexibility
- Under-worksurface storage is ordered separately

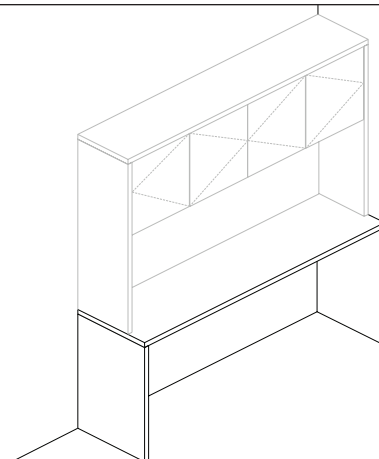


CREDENZA SHELL (ZWCL)

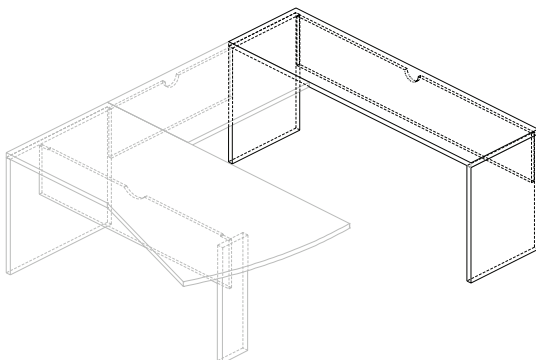
Available with a 1/2-Height (shown), 3/4-Height or Full-Height Modesty Panel



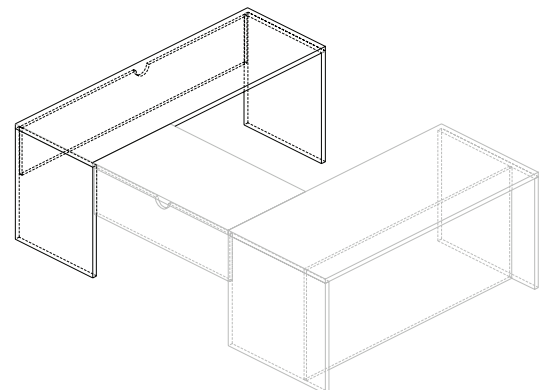
Credenza Shell with a 1/2-Height Modesty Panel used in conjunction with a Bridge Top and 3/4-Height Modesty Panel and a left handed P-Shaped Table Desk with a 1/2-Height Modesty Panel.



Credenza Shell with a 28" High Modesty Panel used in conjunction with a Storage Hutch for Credenza.



Credenza Shell with a 1/2-Height Modesty Panel used in conjunction with a Bridge Top and 1/2-Height Modesty Panel and a right handed Single Fan-Shaped Desk with a 1/2-Height Modesty Panel.



Credenza Shell with a 1/2-Height Modesty Panel used in conjunction with a Bridge Top and 1/2-Height Modesty Panel and a Rectangular Desk Shell with a 28" High Modesty Panel.

hutches

20

Hutches are offered in a number of configurations to suit your office needs.

An accessory rail with or without electrics and data is available for Hutches which also conceals wires. The accessory rail is finished in an Anodized Aluminum.

- Hinged electrical/data box is factory installed on the left side of the Hutch rail and cannot be field installed. It can be repositioned to the right side of the Hutch rail in the field.
- 6" Shelves may be added to the accessory rail. Refer to *Complements: Teknion's Ergonomics & Accessories Program* for details.
- There is 4" clearance from the desk top to the accessory rail reveal. Some Complements accessories can be positioned on this rail. Please see *Complements: Teknion's Ergonomics & Accessories Program* for a listing of Accessories.

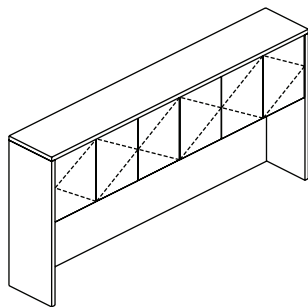
A fabric tackboard option can also be specified for Hutches.

- Refer to Teknion's Fabrics & Finishes Program for a complete panel fabric listing with codes.

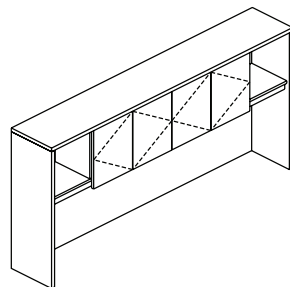
Hutches will provide an overall height of 72.5". The clearance from the top of the worksurface to the bottom of the valance is 23.5".

The interior height of the cabinets is 15".

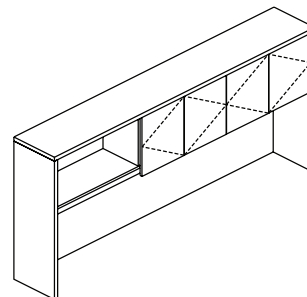
A round grommet is centered on the back of the Hutch under the fixed shelf for wire routing. Locks for doors are optional.



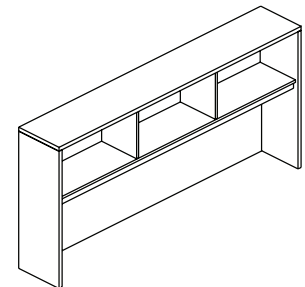
STORAGE HUTCH FOR CREDENZA (ZWHS)



COMBINATION HUTCH (ZWHM)

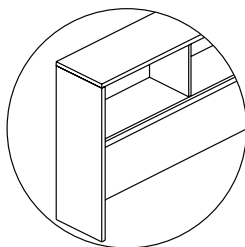


STORAGE HUTCH WITH SINGLE OPENING (ZWHSO)

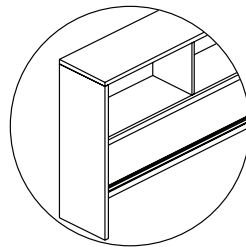


COLLATOR FOR DESK AND CREDENZA (ZWHC)

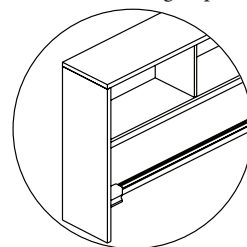
Left handed single opening shown.



Without Accessory Rail

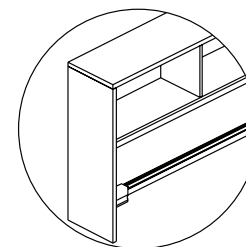


Accessory Rail Only



Accessory Rail with Electrics

(left position standard)



Accessory Rail with Electrics and Data

(left position standard)

Number of Doors included for Hutches

Closed Doors (ZWHS)

- 36", 42", 48" widths = 2 doors (odd door hinge on right)
- 54", 60", 66", 72", 78" & 84" widths = 4 doors (symmetrical)
- 90", 96", 102" & 108" widths = 6 doors (symmetrical)

Combination/Single Opening (ZWHM and ZWHSO)

- 54", 60", 66", 72", 78" & 84" widths = 2 doors
- 90", 96", 102" & 108" widths = 4 doors

Number of Dividers included for Collators

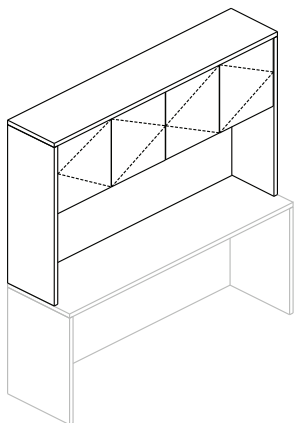
- 36", 42" & 48" widths = 0 dividers
- 54", 60", 66", 72", 78" & 84" widths = 1 divider
- 90", 96", 102" & 108" widths = 2 dividers

Please note that glass doors cannot be retrofitted in the field and are not interchangeable with solid doors.

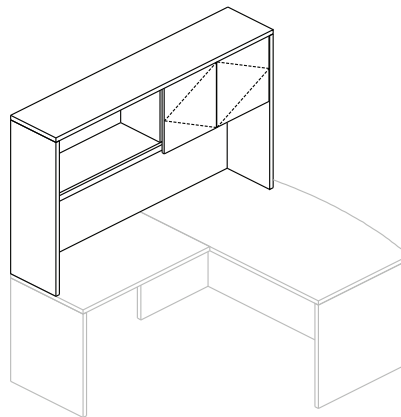
ZWHSO: 54" to 84" wide/2 doors/opening equals half of hutch width. 90" to 108" wide/4 doors/opening equals 1/3 of hutch width.

application guide

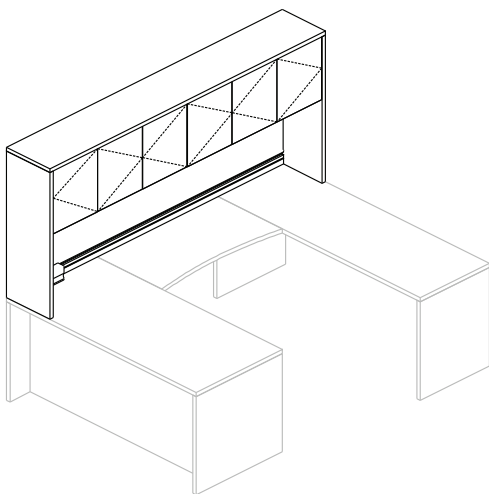
hutches (continued)



Hutch width must equal Credenza width.

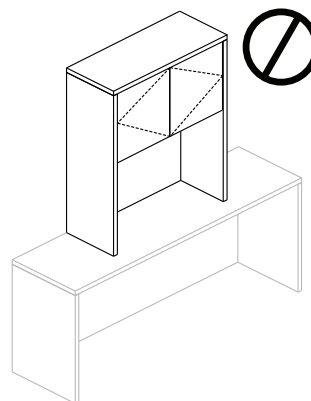


A left handed Storage Hutch with Single Opening used in conjunction with a Return Shell and Bowtop Desk Shell.

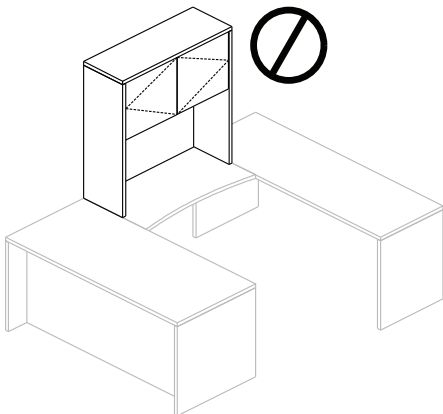


Storage Hutch for Credenza with accessory rail and electrics used in conjunction with a Rectangular Desk Shell, Curved Bridge Top and Credenza Shell.

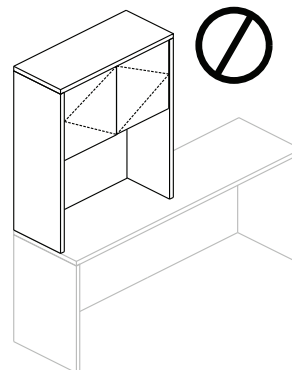
Hutch width must span the overall workstation dimension.
In this application, a bridge can be specified with or without Modesty Panel.



Hutch must always equal Credenza width. Offset planning requires additional structural support that is available through specials.



Hutch width must span the overall dimension.
Offset planning requires additional structural support that is available through specials.

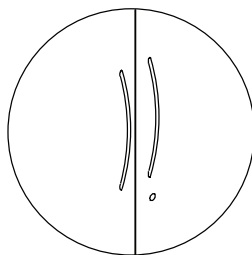
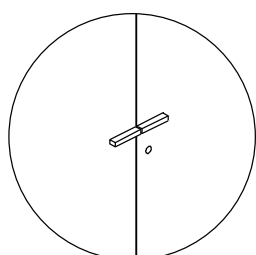
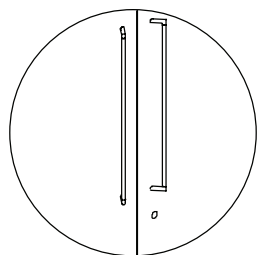
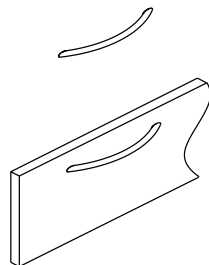
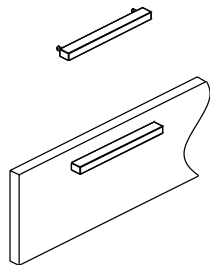
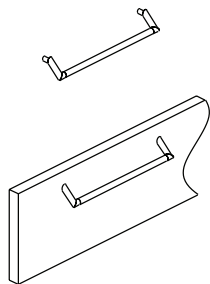


Hutch width must equal Credenza width and cannot be left or right aligned on Credenza.
Offset planning requires additional structural support that is available through specials.

storage

22

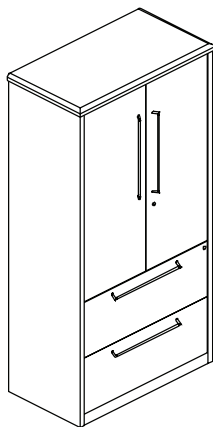
- Storage products are available with four pull styles. Reverse Contemporary, Rectangular and Metal Arch Pull
- The Reverse Contemporary Pull and Rectangular Pulls can be specified in Ebony or Platinum finishes.



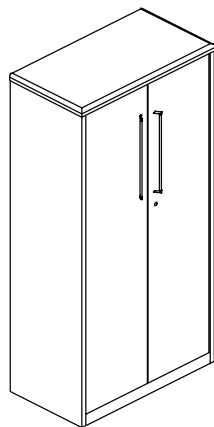
Reverse Contemporary Pull
(Shown on storage below)

Rectangular Pull

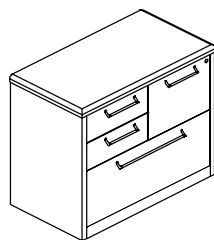
Metal Arch Pull



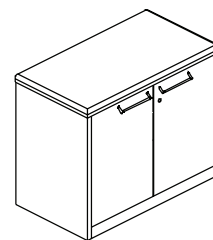
COMBINATION LATERAL FILE
CABINETS (ZWSCL)



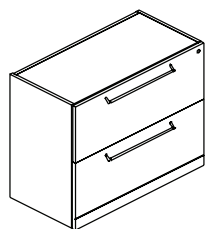
WARDROBE STORAGE
CABINETS (ZWSSC)



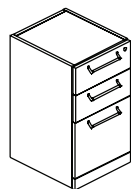
COMBO CREDENZA
(ZWCCP)



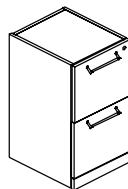
SINGLE STORAGE CREDENZA
(ZWCSS)



UNDER-WORKSURFACE
LATERAL FILE (ZSLU)



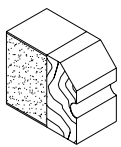
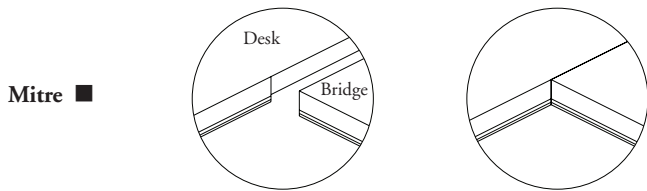
UNDER-WORKSURFACE
PEDESTAL (ZSPU)
BOX, BOX, FILE
CONFIGURATION SHOWN



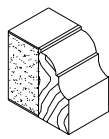
UNDER-WORKSURFACE
PEDESTAL (ZSPU)
FILE, FILE
CONFIGURATION SHOWN

edge details

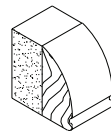
Westcoast edge detail will be applied to all outside edges. Joined edges will have a mitre cut which creates a handed product. See illustrations below.



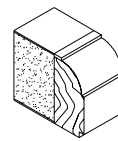
Bevel Edge



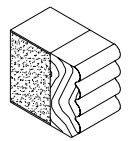
Classic Edge



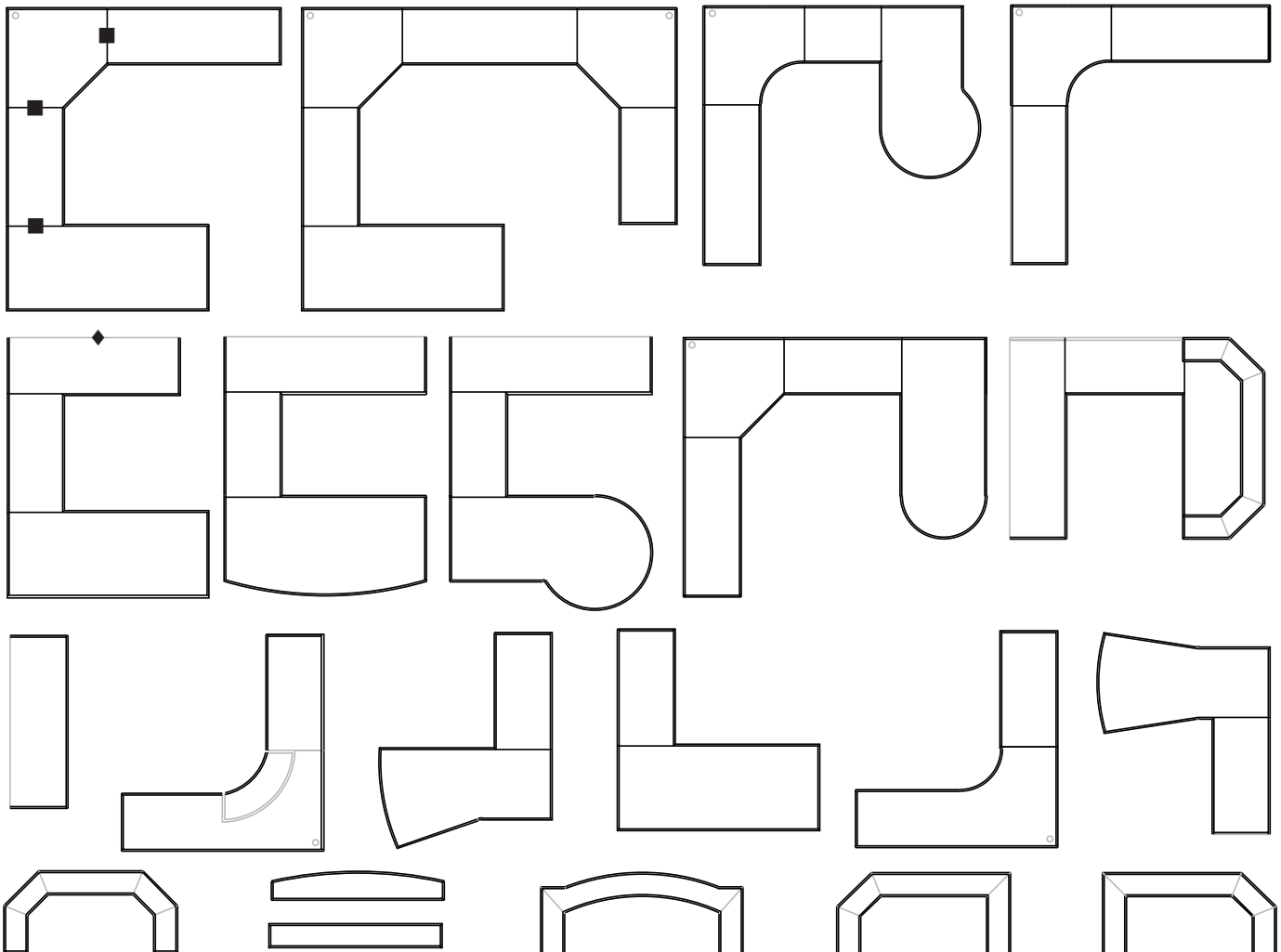
Arch



Dome

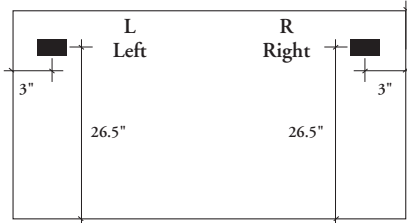


Reed

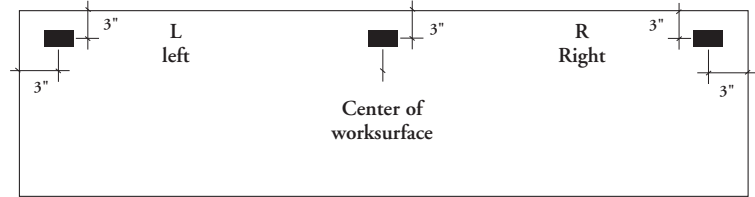


grommet location

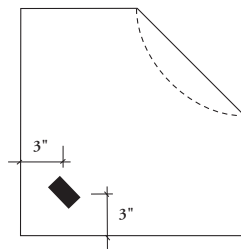
desks



credenza, return or back workspace



corner workspace



price guide