



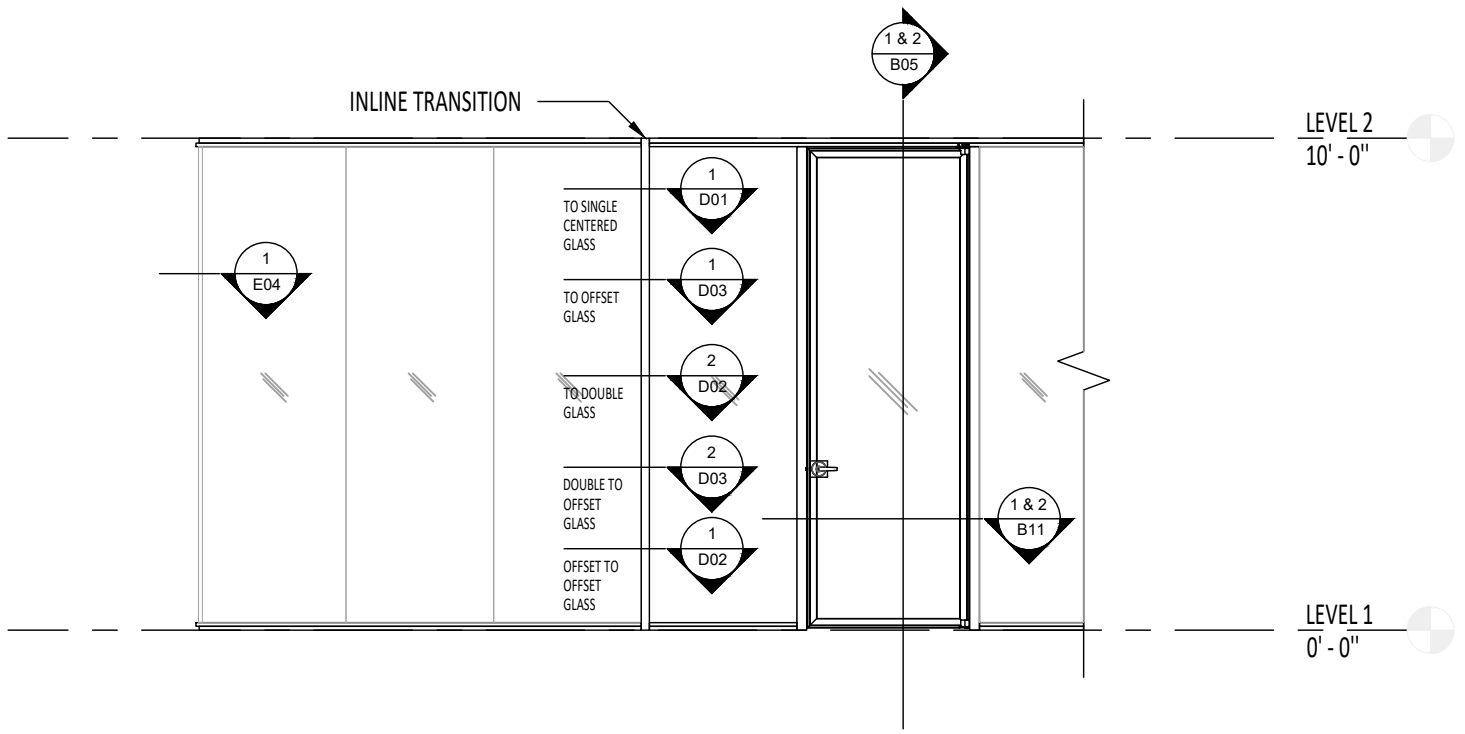


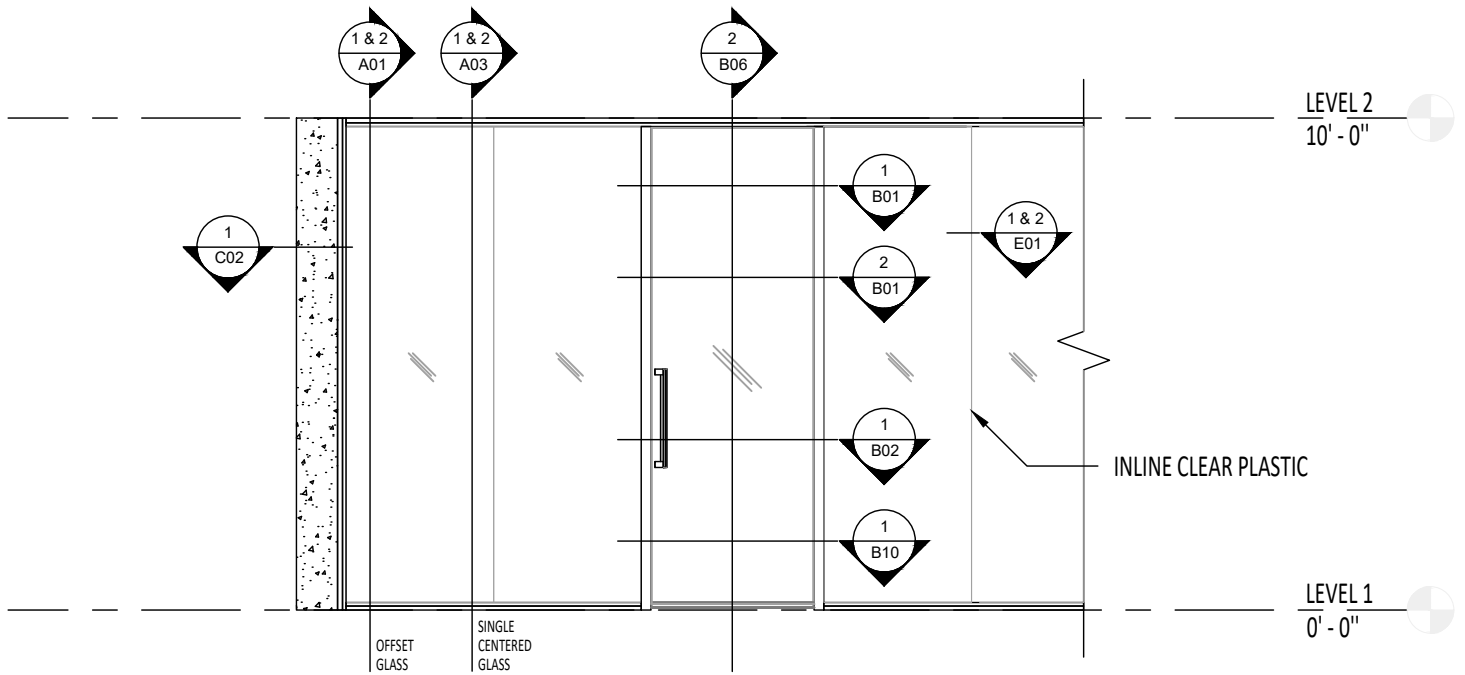
FOCUS (ASIA PACIFIC) DETAIL DRAWING PACKAGE

 NEW
  REVISED

PAGE	NAME	SCALE
	ELEVATIONS	
EL-01	TYPICAL ELEVATION	1/4" = 1'-0"
EL-02	TYPICAL ELEVATION	1/4" = 1'-0"
	HORIZONTAL FRAMES	
A-01	ACOUSTIC & DRYWALL BASE - SINGLE CENTERED FRAME ASSEMBLY - CEILING AND BASE	3" = 1'-0"
A-02	ACOUSTIC & DRYWALL BASE - DOUBLE GLASS FRAME ASSEMBLY - CEILING AND BASE	3" = 1'-0"
A-03	ACOUSTIC & DRYWALL BASE - SINGLE OFFSET FRAME ASSEMBLY - CEILING AND BASE	3" = 1'-0"
	DOORS	
B-01	UNIVERSAL DOOR JAMB (PIVOT/HINGE) - TO SINGLE & DOUBLE GLASS	6" = 1'-0"
B-02	UNIVERSAL DOOR JAMB (PIVOT/HINGE) - TO OFFSET GLASS	6" = 1'-0"
 B-03	VERTICAL SECTIONS THROUGH SINGLE GLAZED SLIDING DOOR FRAME	6" = 1'-0"
 B-04	VERTICAL SECTIONS THROUGH SINGLE GLAZED SLIDING DOOR FRAME	6" = 1'-0"
B-05	VERTICAL SECTIONS THROUGH SINGLE GLASS & DOUBLE GLASS PIVOT DOOR	1 1/2" = 1'-0"
 B-06	VERTICAL SECTIONS THROUGH SOLID HINGED DOOR	1 1/2" = 1'-0"
B-07	HORIZONTAL SECTION THROUGH OPEN SLIDING DOORS, SINGLE GLAZED FRAME	1 1/2" = 1'-0"
B-08	HORIZONTAL SECTION THROUGH OPEN SLIDING DOORS, DOUBLE GLAZED FRAME	1 1/2" = 1'-0"
B-09	HORIZONTAL SECTION THROUGH OPEN DOUBLE SLIDING DOORS, SINGLE GLAZED FRAME	1 1/2" = 1'-0"
B-10	HORIZONTAL SECTION THROUGH SOLID HINGED DOORS	1 1/2" = 1'-0"
B-11	HORIZONTAL SECTION THROUGH SINGLE & DOUBLE GLAZED PIVOT DOOR	1 1/2" = 1'-0"
B-12	HORIZONTAL SECTION THROUGH SINGLE GLAZED PIVOT DOOR - DOUBLE LEAF	1 1/2" = 1'-0"
 B-13	HORIZONTAL SECTION THROUGH DOUBLE GLAZED PIVOT DOOR - DOUBLE LEAF	1 1/2" = 1'-0"
B-14	HORIZONTAL SECTION THROUGH SOLID HINGED DOOR - DOUBLE LEAF	1 1/2" = 1'-0"
	WALL STARTS	
C-01	WALL START - SINGLE CENTERED GLASS & DOUBLE GLASS	6" = 1'-0"
C-02	WALL START - OFFSET GLASS & DOOR	6" = 1'-0"
	WALL TRANSITIONS & WALL ENDS	
D-01	CORNER TRANSITION	6" = 1'-0"
D-02	FOCUS TO ALTOS TRANSITION - SINGLE CENTERED GLASS & DOUBLE GLASS	6" = 1'-0"
D-03	FOCUS TO ALTOS TRANSITION - OFFSET GLASS	6" = 1'-0"
D-04	WALL END SINGLE CENTERED GLASS & DOUBLE GLASS	6" = 1'-0"
D-05	WALL END OFFSET GLASS & DOOR	6" = 1'-0"
	GLASS FASCIAS & CONNECTORS	
E-01	GLASS CONNECTOR KIT - INLINE CLEAR PLASTIC - 10 & 12 MM	6" = 1'-0"
E-02	GLASS CONNECTOR KIT - INLINE TAPE	6" = 1'-0"
E-03	90° GLASS CONNECTOR KIT - SINGLE CENTERED - PLASTIC, 10 & 12 MM GLASS	6" = 1'-0"
E-04	90° GLASS CONNECTOR KIT - SINGLE CENTERED - TAPE 10 & 12 MM GLASS	6" = 1'-0"
E-05	90° GLASS CONNECTOR KIT - DOUBLE GLASS - PLASTIC, 10 & 12 MM	6" = 1'-0"
E-06	90° GLASS CONNECTOR KIT - DOUBLE GLASS - TAPE 10 & 12 MM GLASS	6" = 1'-0"
E-07	90° GLASS CONNECTOR KIT - OFFSET GLASS - PLASTIC, 10 & 12 MM GLASS	6" = 1'-0"
E-08	90° GLASS CONNECTOR KIT - OFFSET GLASS - TAPE 10 & 12 MM GLAS	6" = 1'-0"
E-09	THREE WAY CONNECTION KIT - PLASTIC 10 & 12 MM	6" = 1'-0"
E-10	FOUR WAY CONNECTION KIT - PLASTIC 10 & 12 MM	6" = 1'-0"
E-11	FOUR WAY CONNECTION KIT - 10 & 12 MM GLASS TAPE	6" = 1'-0"
E-12	THREE WAY CONNECTION KIT - SINGLE CENTERED GLASS - PLASTIC 10 & 12 MM	6" = 1'-0"
E-13	THREE WAY CONNECTION KIT - OFFSET GLASS WITH CENTERED GLASS - PLASTIC 10 & 12 MM	6" = 1'-0"
E-14	GLASS CONNECTION KIT - INLINE VARIABLE ANGLE - SINGLE CENTERED & DOUBLE GLASS	6" = 1'-0"
E-15	GLASS CONNECTION KIT - INLINE VARIABLE ANGLE - OFFSET GLASS	6" = 1'-0"
	ACCESSORIES	
F01	CIRCULAR AND MAGNETIC DOOR STOPS	1'-0" = 1'-0"
F02	MICRO-LEVELER KIT	1'-0" = 1'-0"
RH	REVISION HISTORY	N.T.S



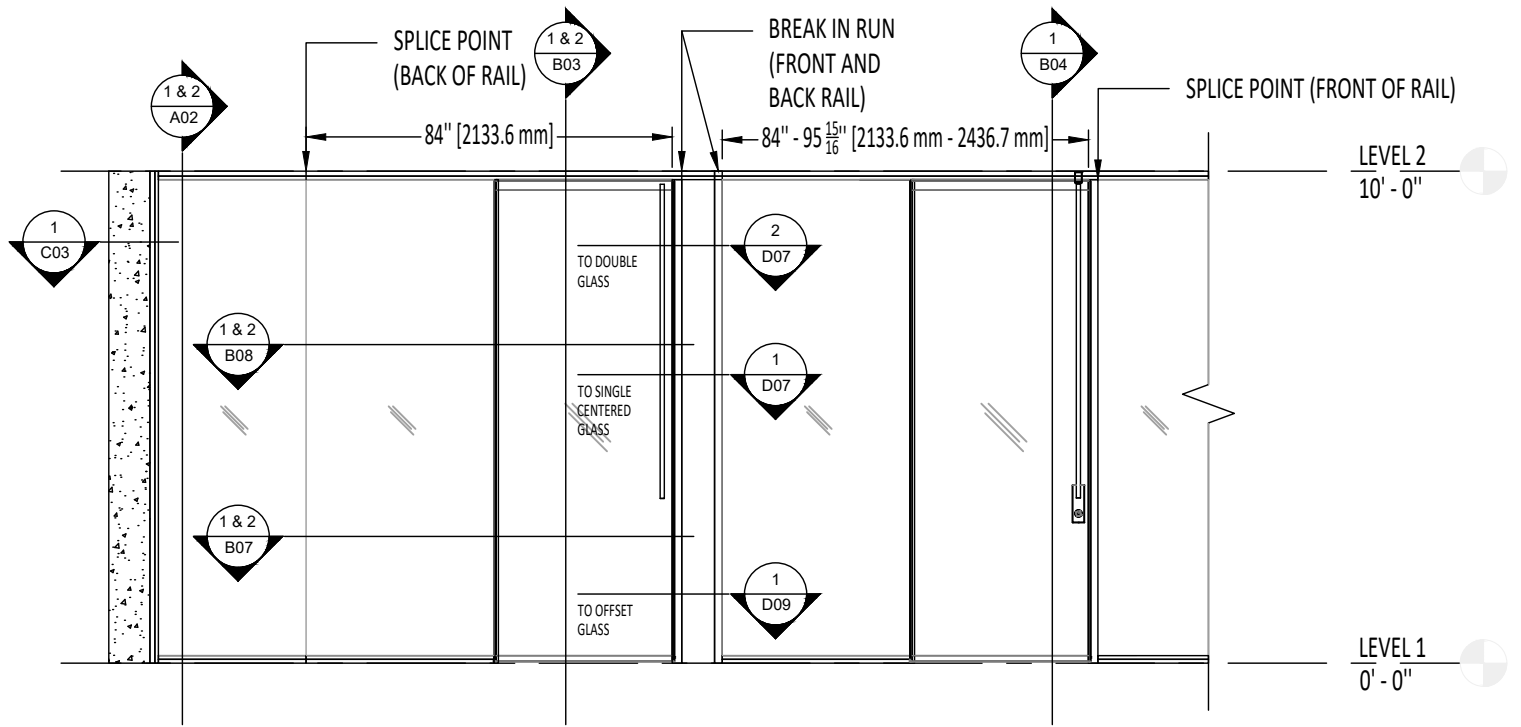
① ELEVATION



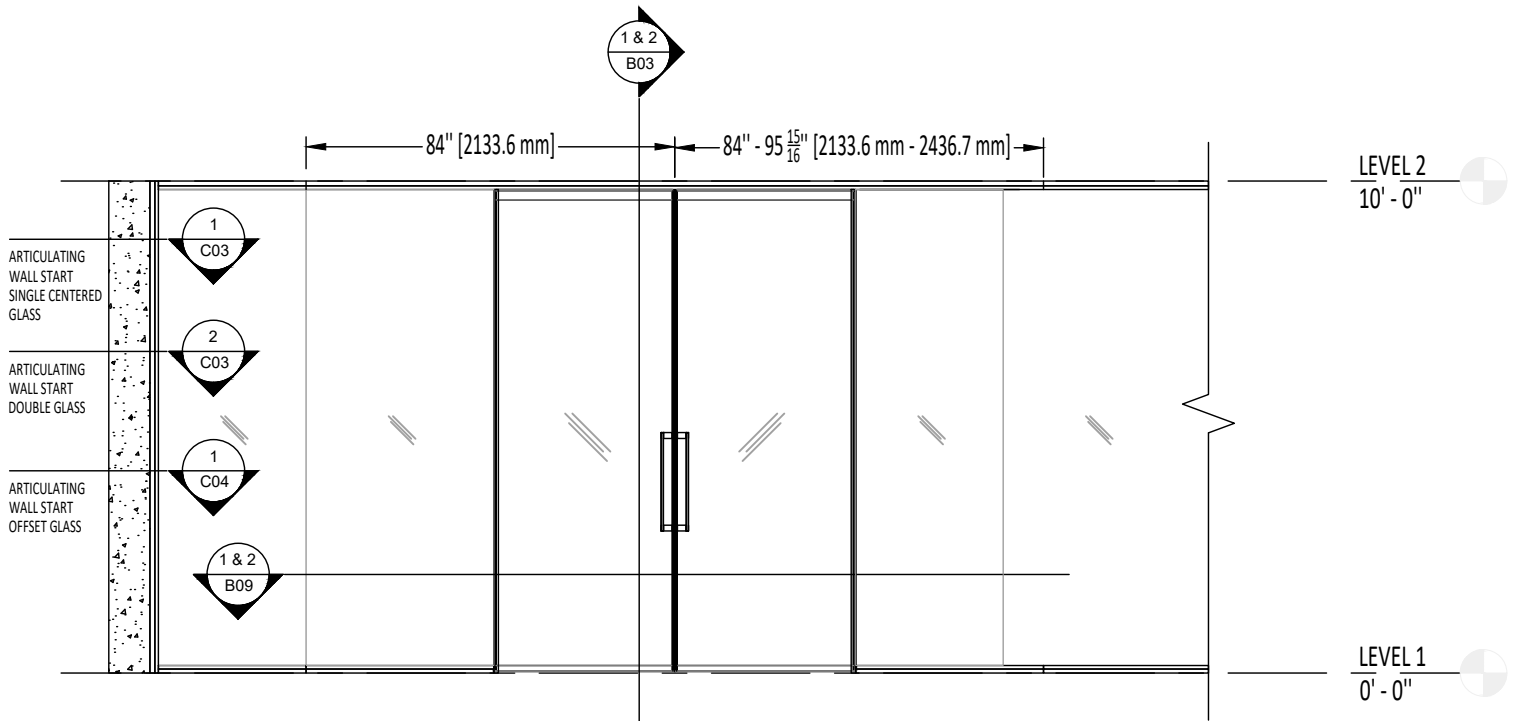
② ELEVATION

ELEVATIONS

1/4"=1'-0"



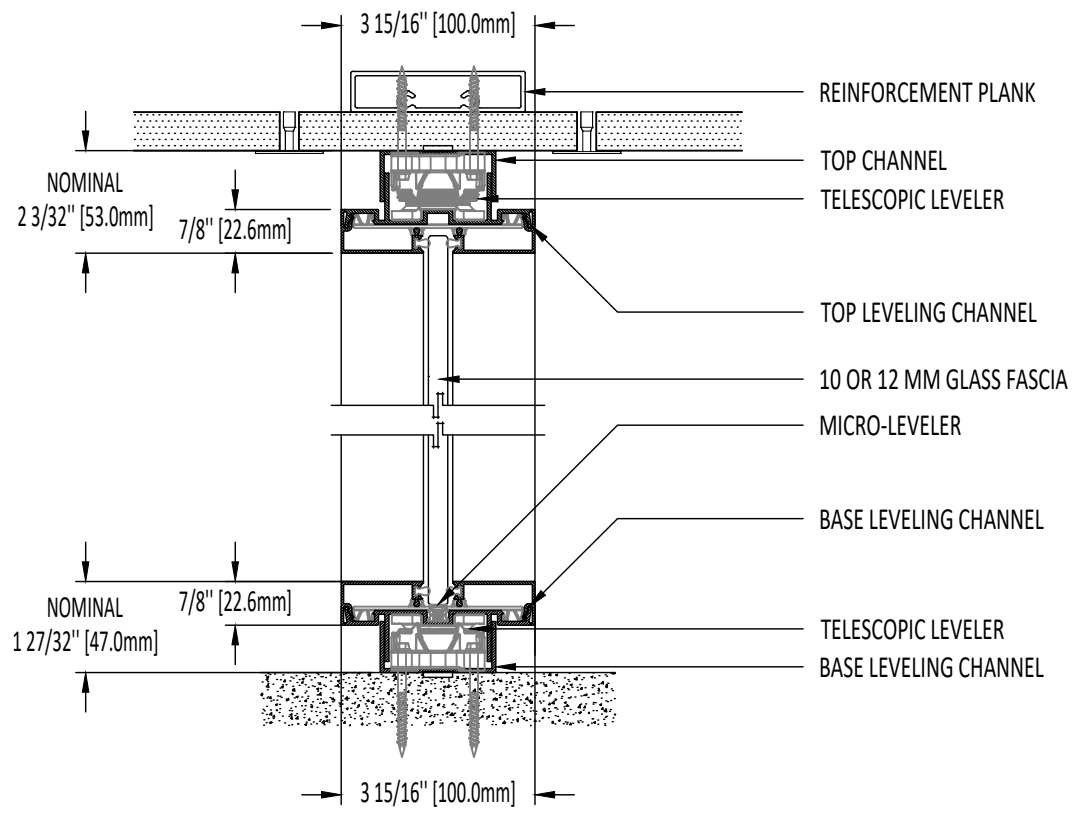
① ELEVATION



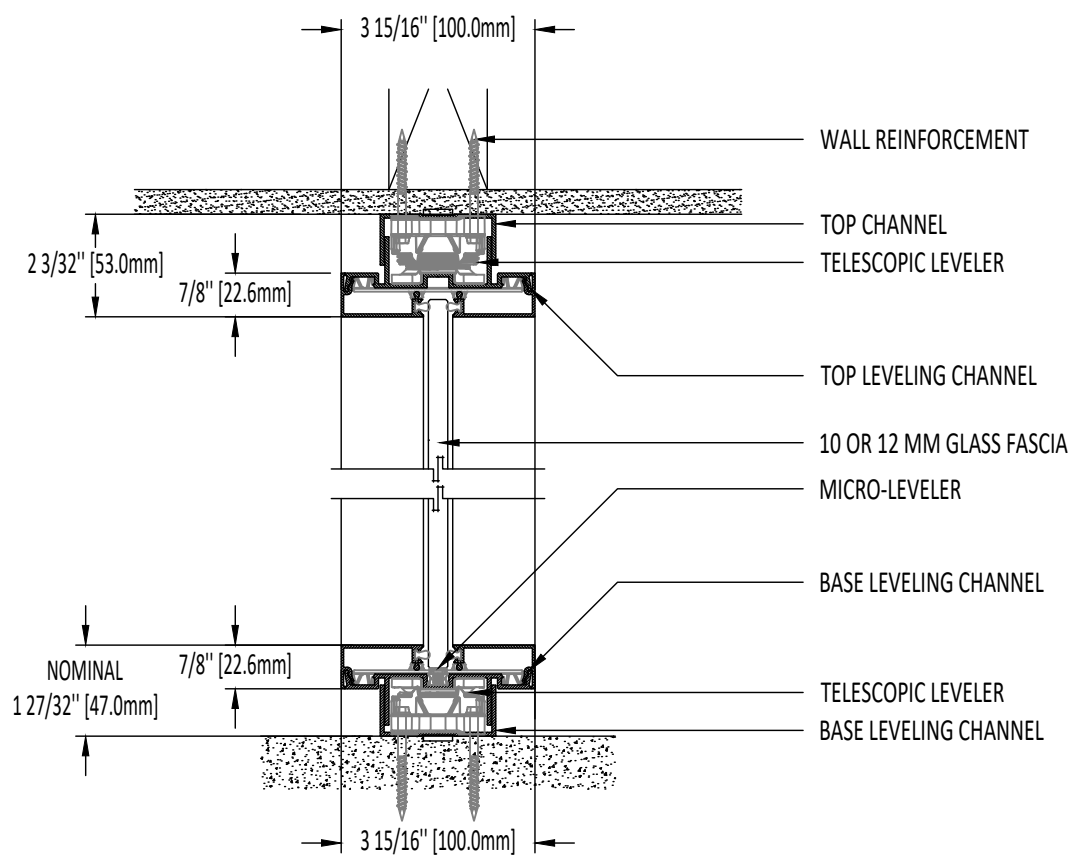
② ELEVATION

ELEVATIONS

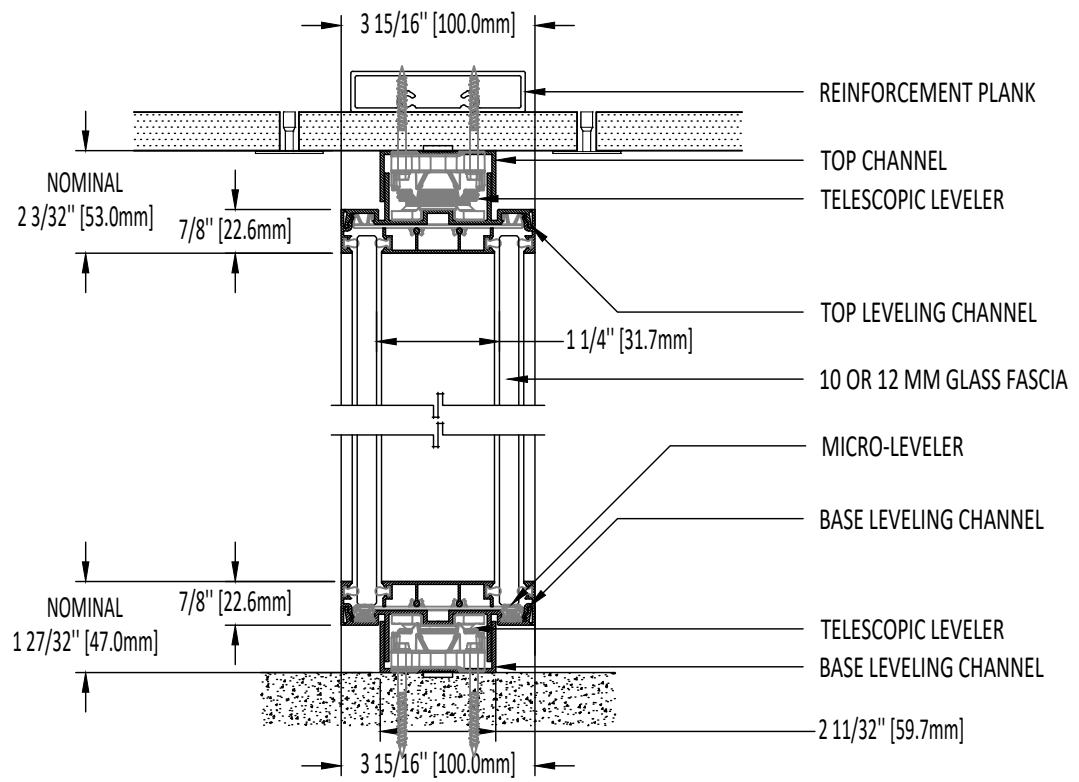
1/4"=1'-0"



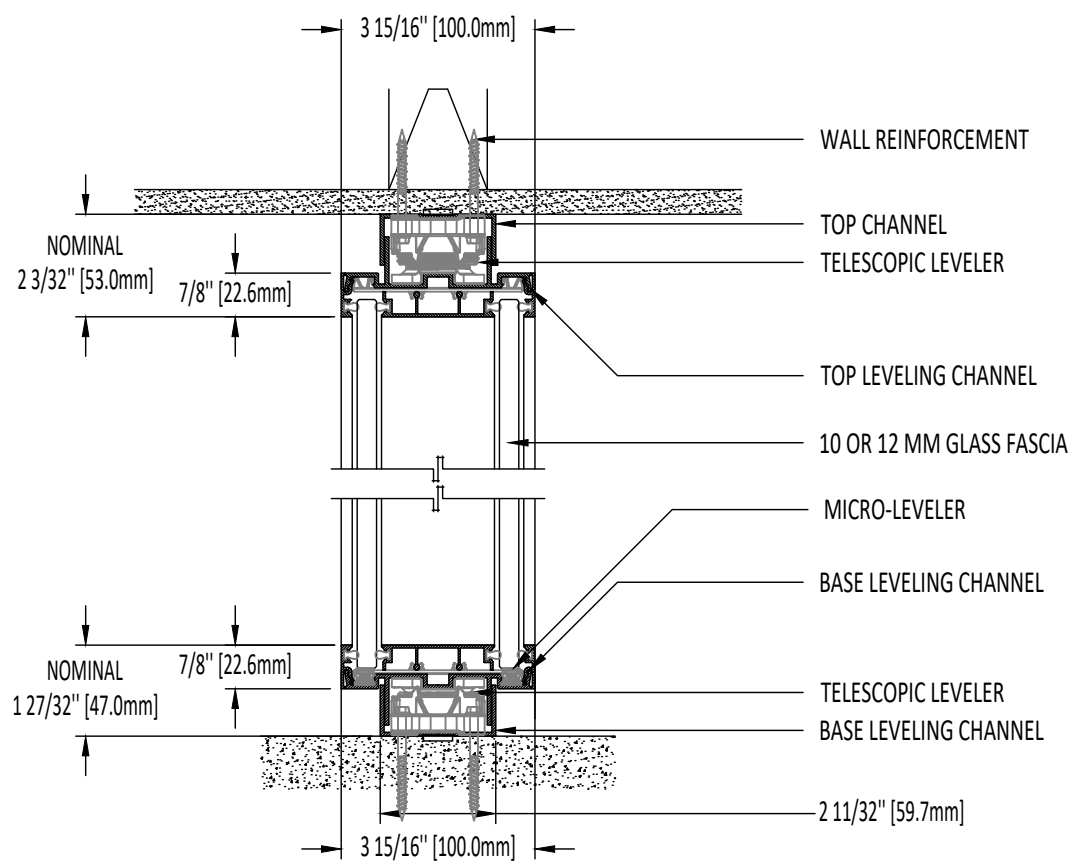
① SINGLE CENTERED GLASS FRAME ASSEMBLY - ACOUSTIC TILE



② SINGLE CENTERED GLASS FRAME ASSEMBLY - DRYWALL



① DOUBLE GLASS FRAME ASSEMBLY - ACOUSTIC TILE



② DOUBLE GLASS FRAME ASSEMBLY - DRYWALL

HORIZONTAL FRAMES

3"=1'-0"

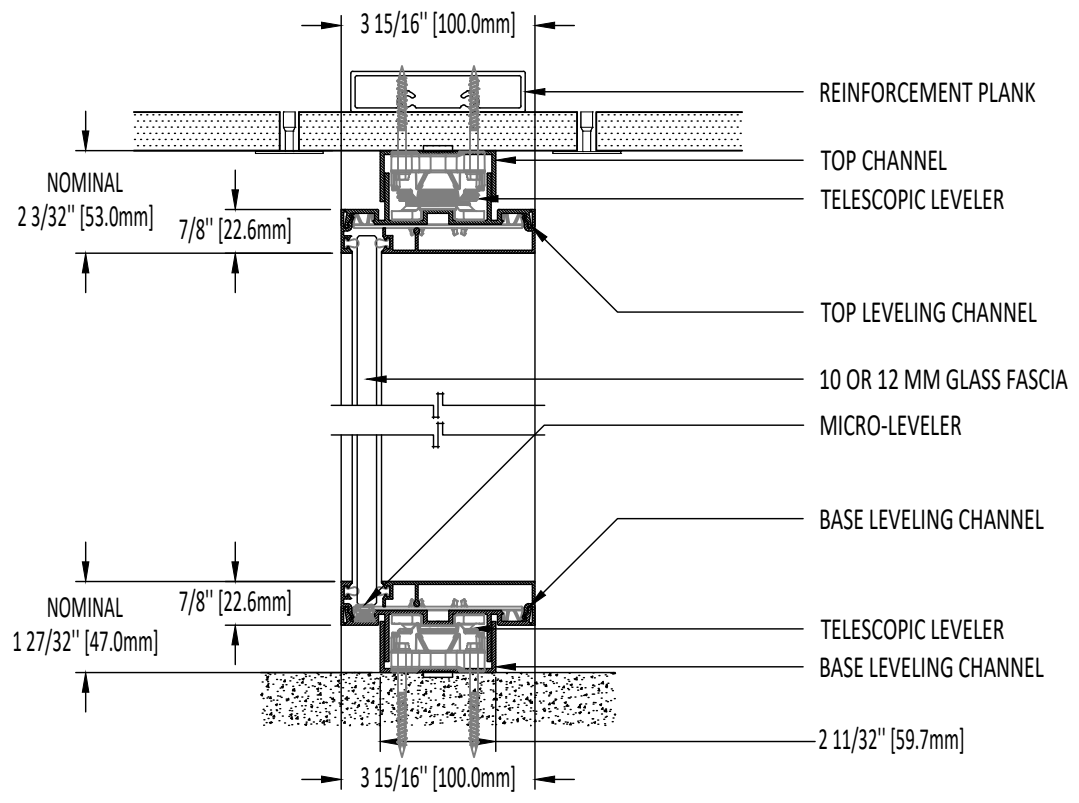
FOCUS DETAIL DRAWING PACKAGE

JUN 24, 2024

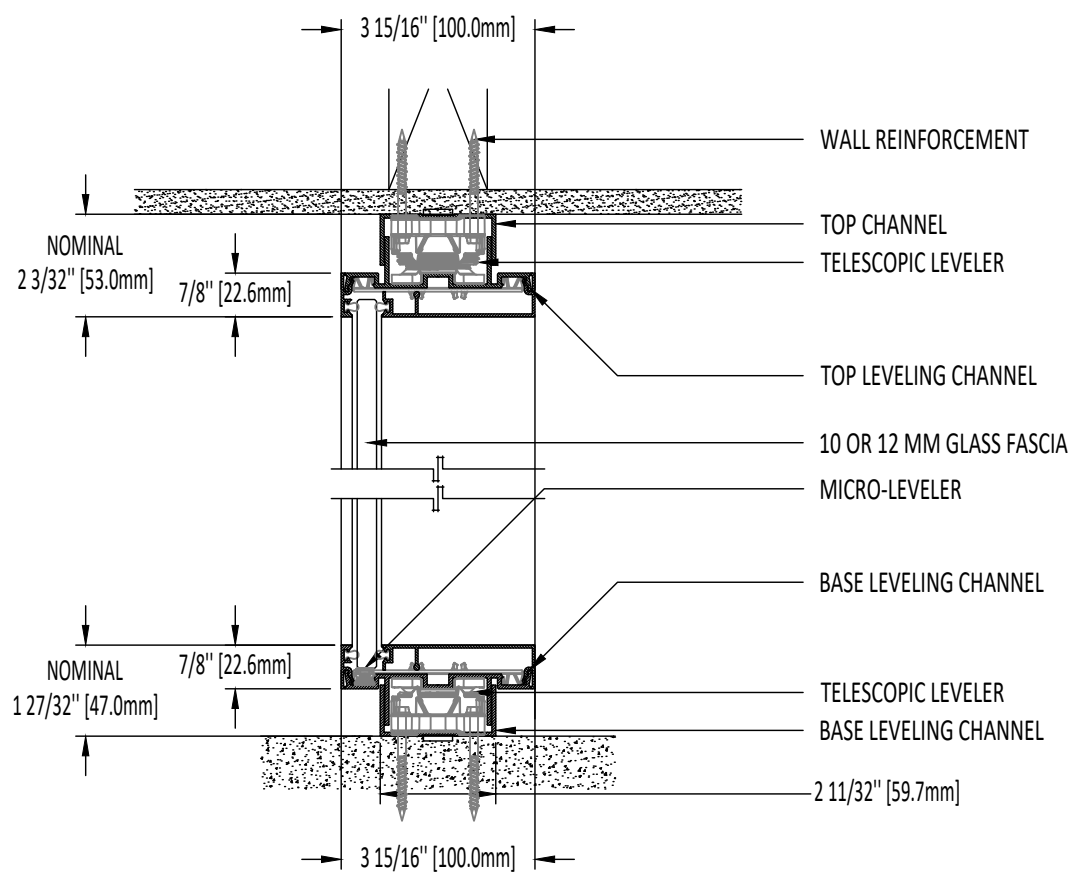
Rev 06

A-02

This drawing is the property of Teknion Limited and is subject to return upon demand. It must not be copied or reproduced in any manner, nor submitted to any outside parties for examination without Teknion consent. This drawing must not be scaled, or used for construction purposes.



① OFFSET GLASS FRAME ASSEMBLY - ACOUSTIC TILE

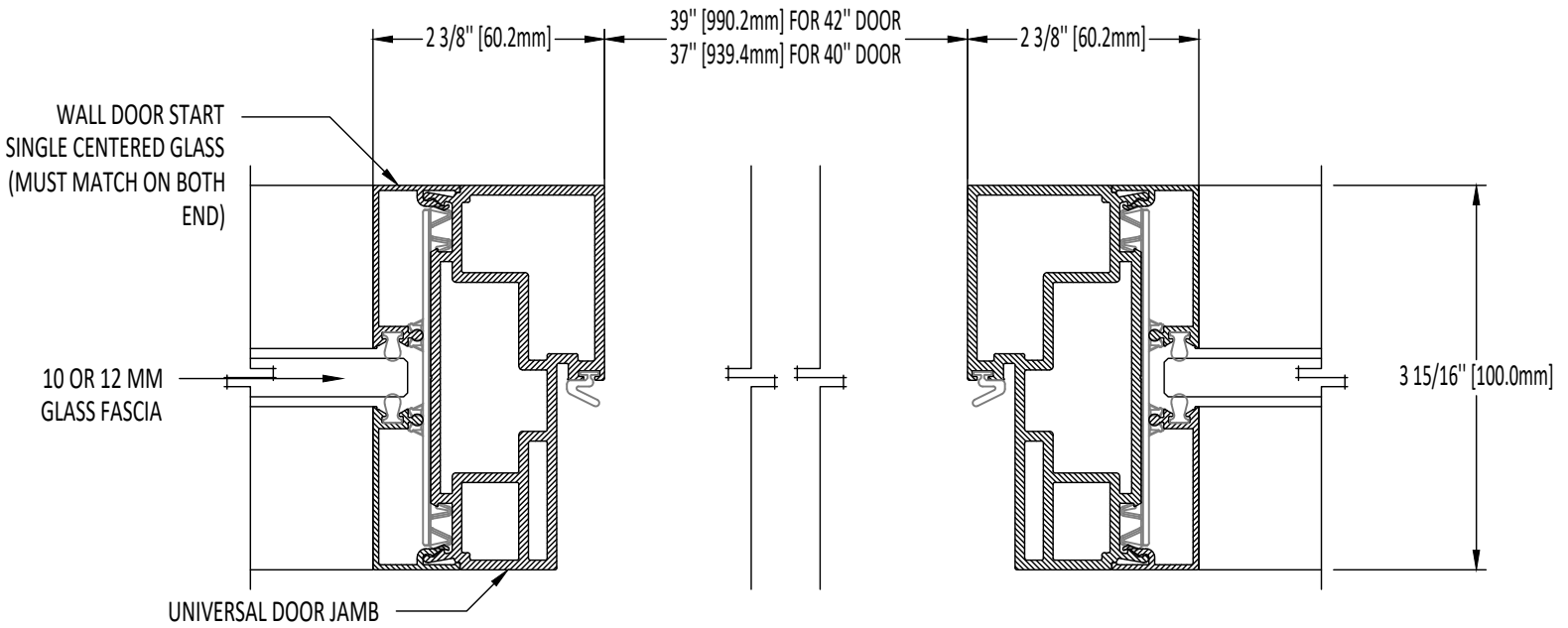


② OFFSET GLASS FRAME ASSEMBLY - DRYWALL

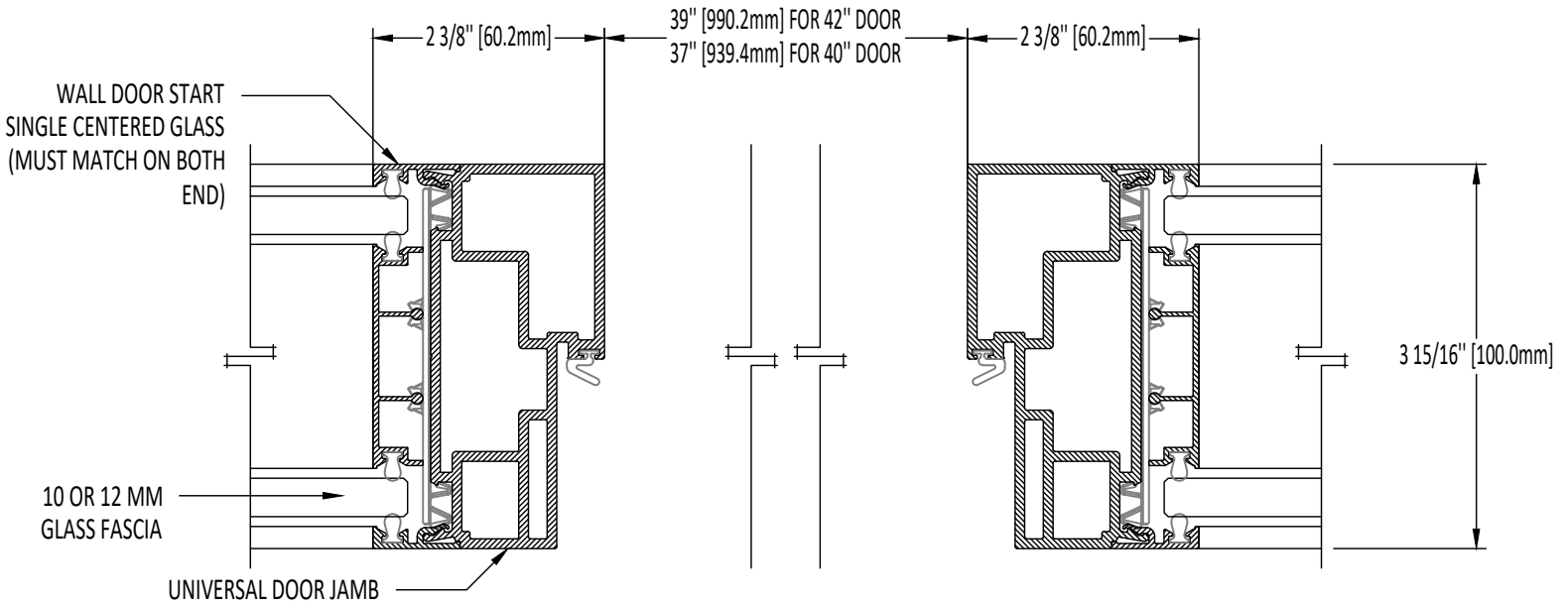
HORIZONTAL FRAMES

3"=1'-0"

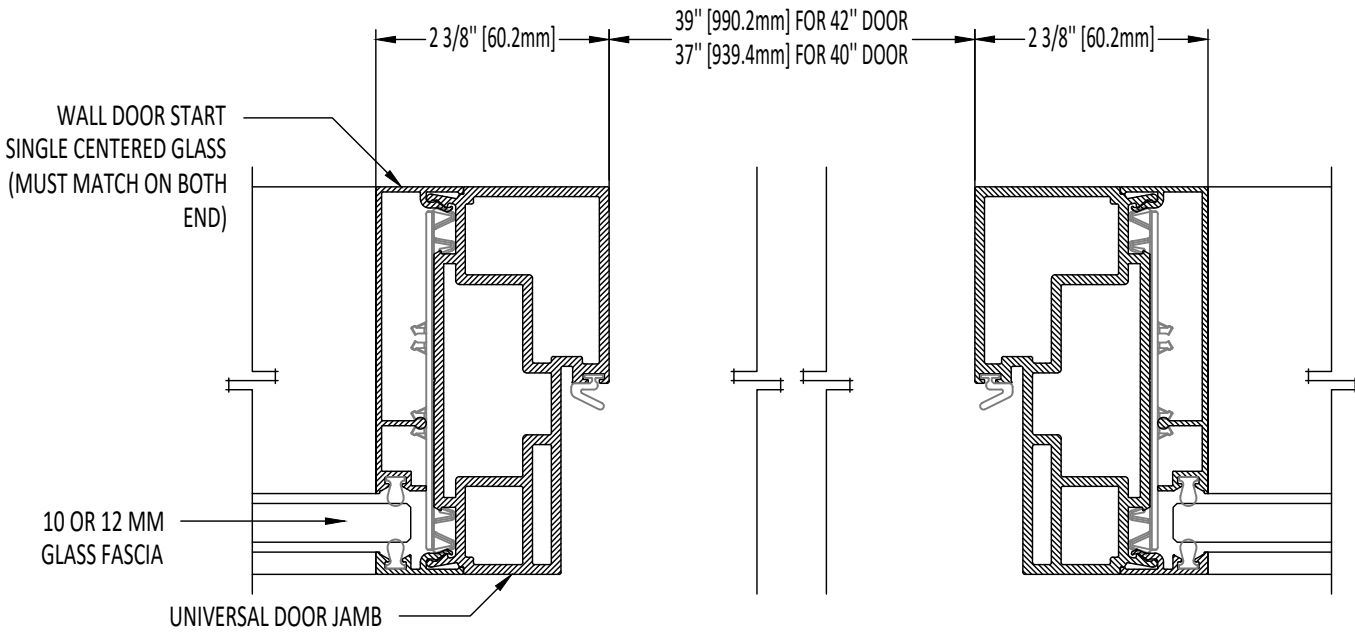
This drawing is the property of Teknion Limited and is subject to return upon demand. It must not be copied or reproduced in any manner, nor submitted to any outside parties for examination without Teknion consent. This drawing must not be scaled, or used for construction purposes.

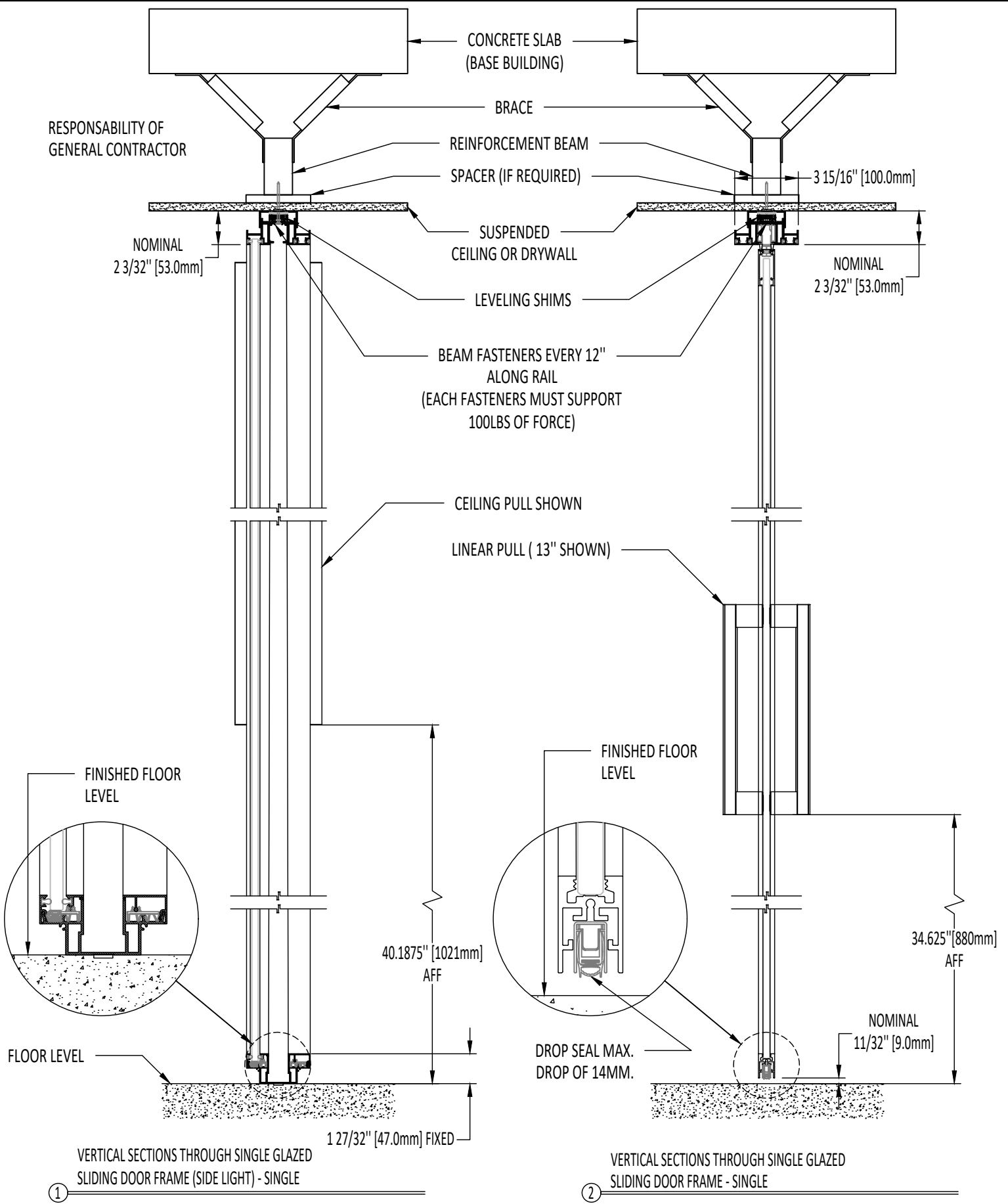


① UNIVERSAL DOOR JAMB (PIVOT/HINGE) - TO SINGLE CENTERED GLASS



② UNIVERSAL DOOR JAMB (PIVOT/HINGE) - TO DOUBLE GLASS





DOORS

1 1/2"=1'-0"

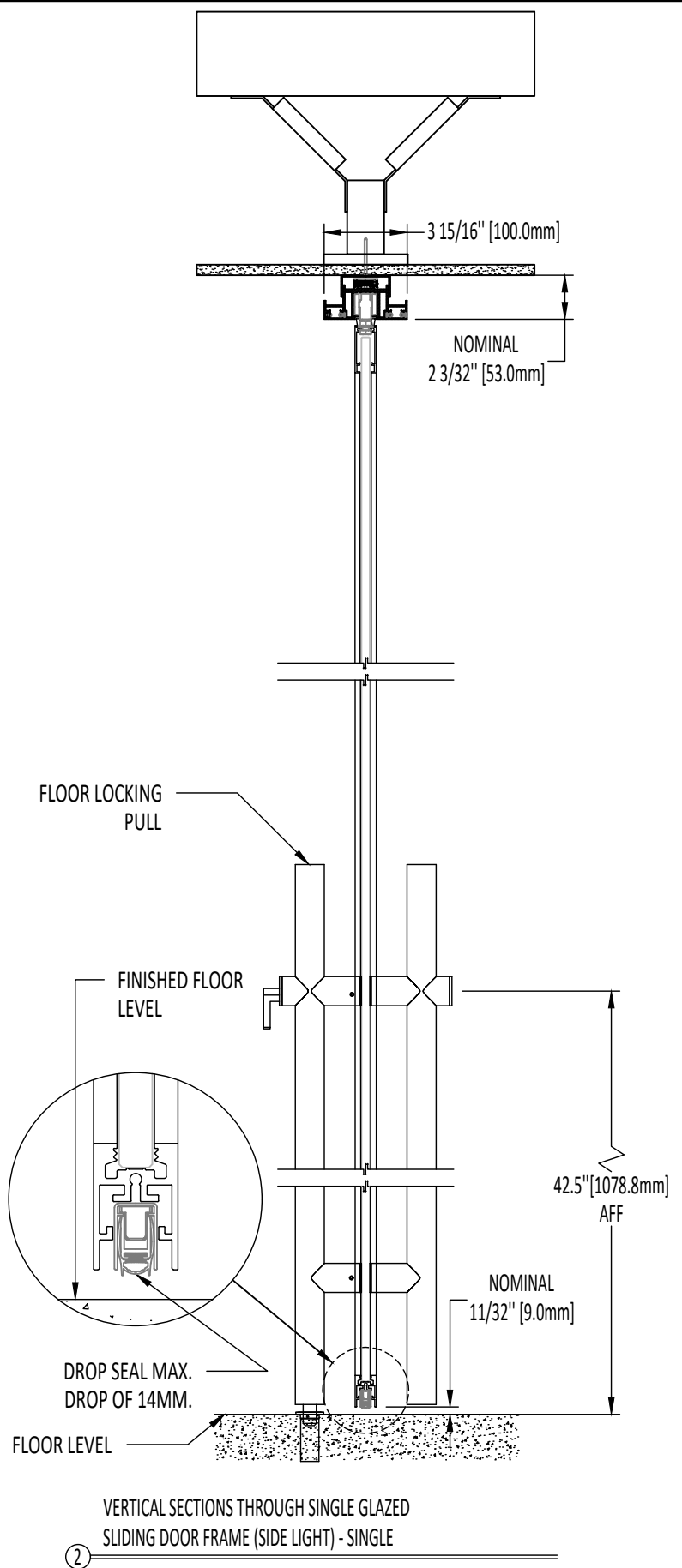
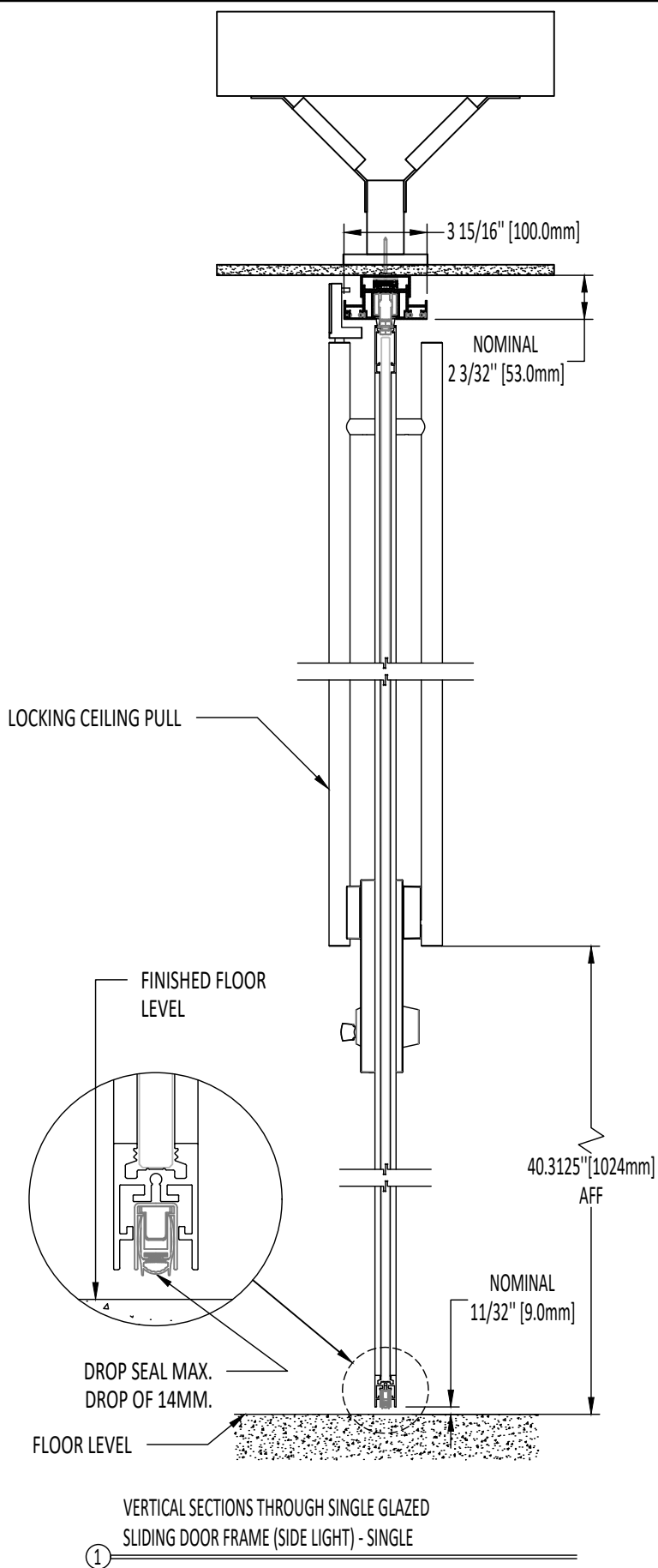
FOCUS DETAIL DRAWING PACKAGE

JUN 24, 2024

Rev 06

B-03

This drawing is the property of Teknion Limited and is subject to return upon demand. It must not be copied or reproduced in any manner, nor submitted to any outside parties for examination without Teknion consent. This drawing must not be scaled, or used for construction purposes.



DOORS

1 1/2"=1'-0"

FOCUS DETAIL DRAWING PACKAGE

JUN 24, 2024

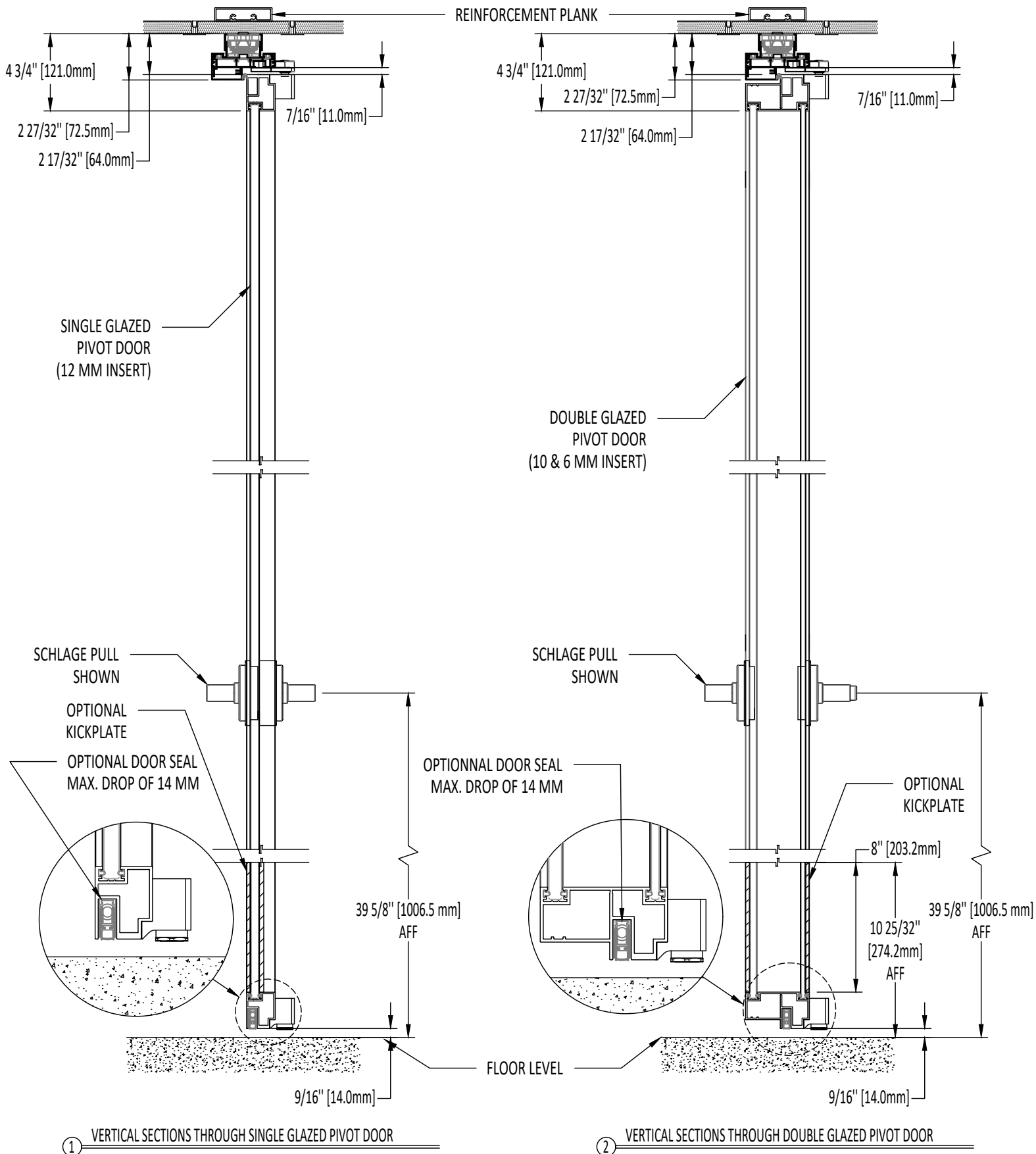
Rev 06

B-04

This drawing is the property of Teknion Limited and is subject to return upon demand. It must not be copied or reproduced in any manner, nor submitted to any outside parties for examination without Teknion consent. This drawing must not be scaled, or used for construction purposes.

www.teknion.com

teknion



DOORS

1 1/2"=1'-0"

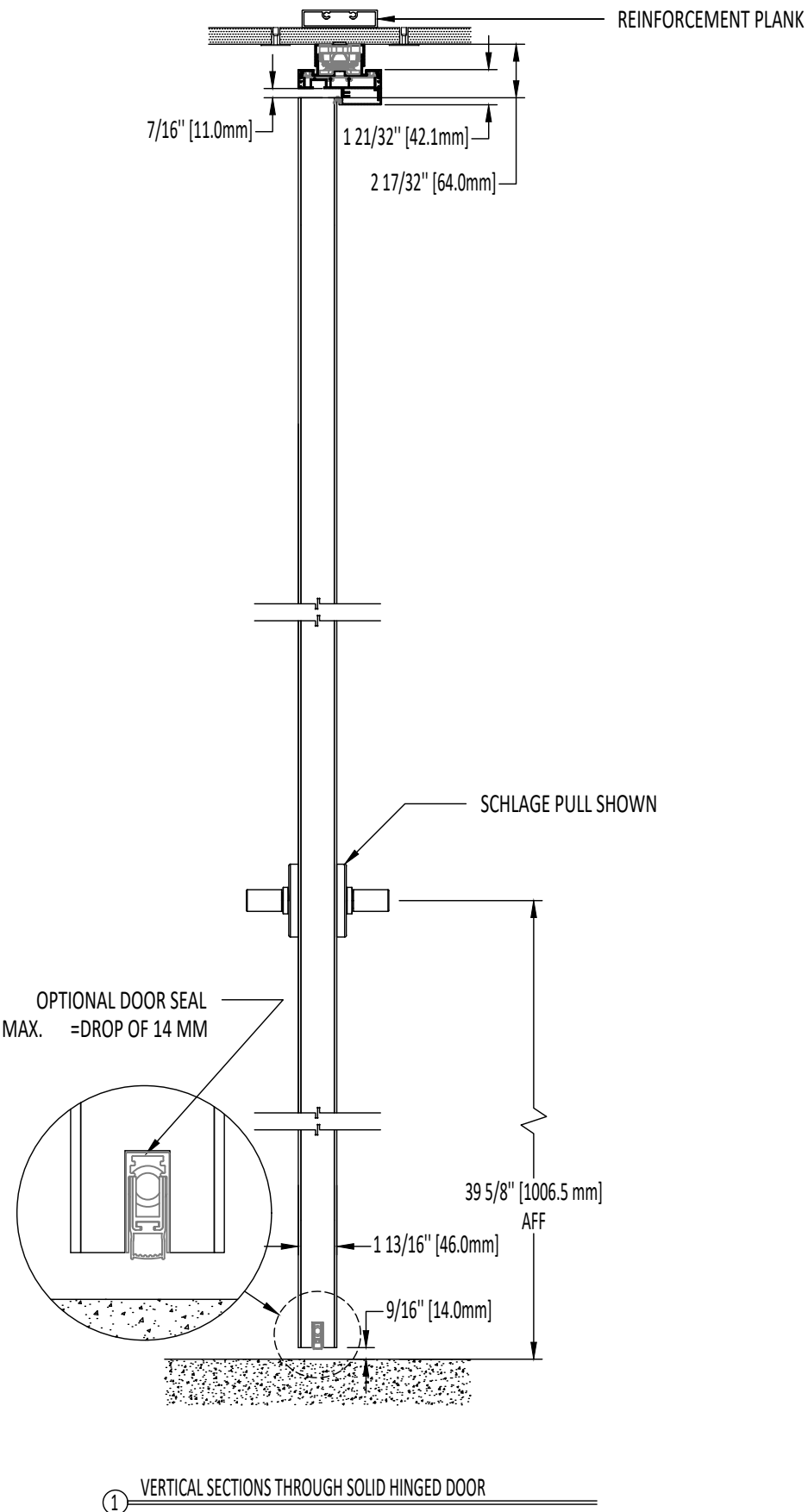
FOCUS DETAIL DRAWING PACKAGE

JUN 24, 2024

Rev 06

B-05

This drawing is the property of Teknion Limited and is subject to return upon demand. It must not be copied or reproduced in any manner, nor submitted to any outside parties for examination without Teknion consent. This drawing must not be scaled, or used for construction purposes.



DOORS

1 1/2"=1'-0"

FOCUS DETAIL DRAWING PACKAGE

JUN 24, 2024

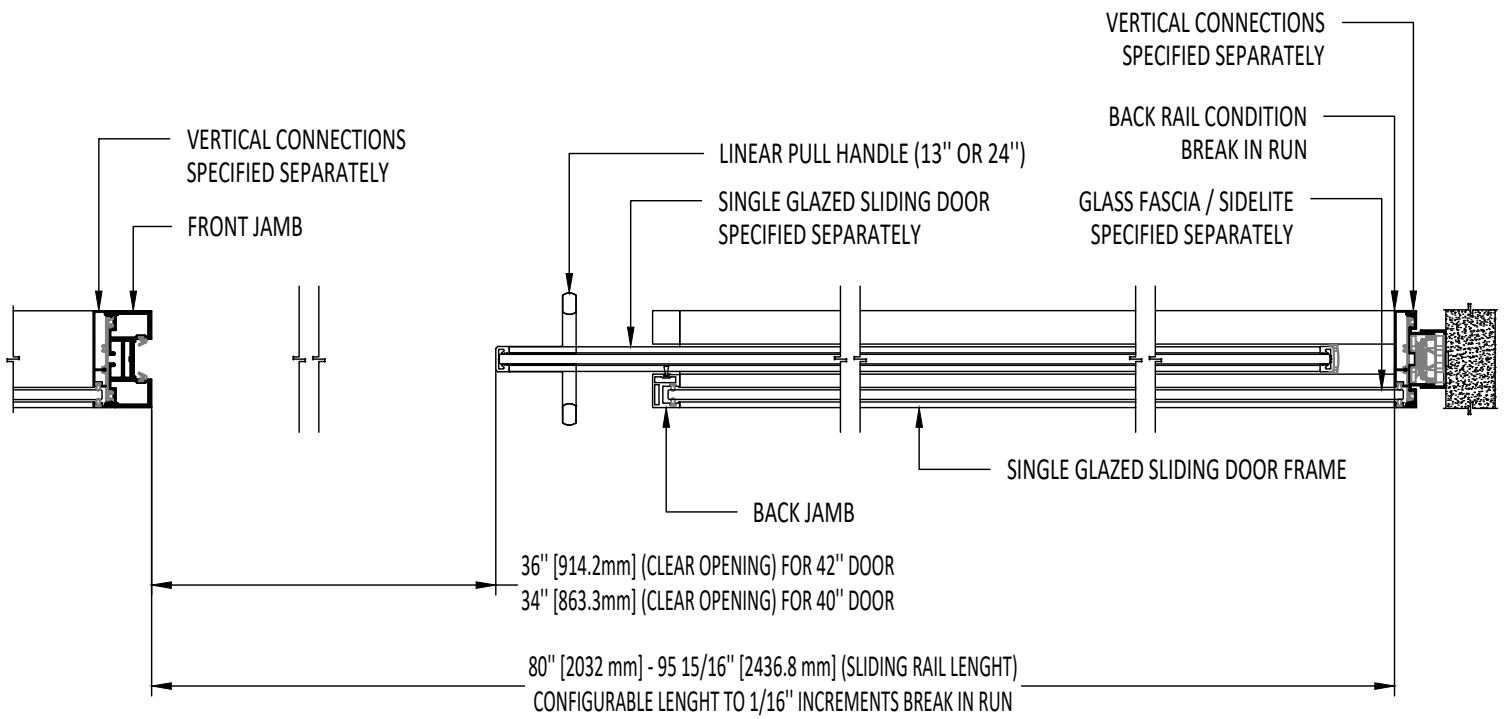
Rev 06

B-06

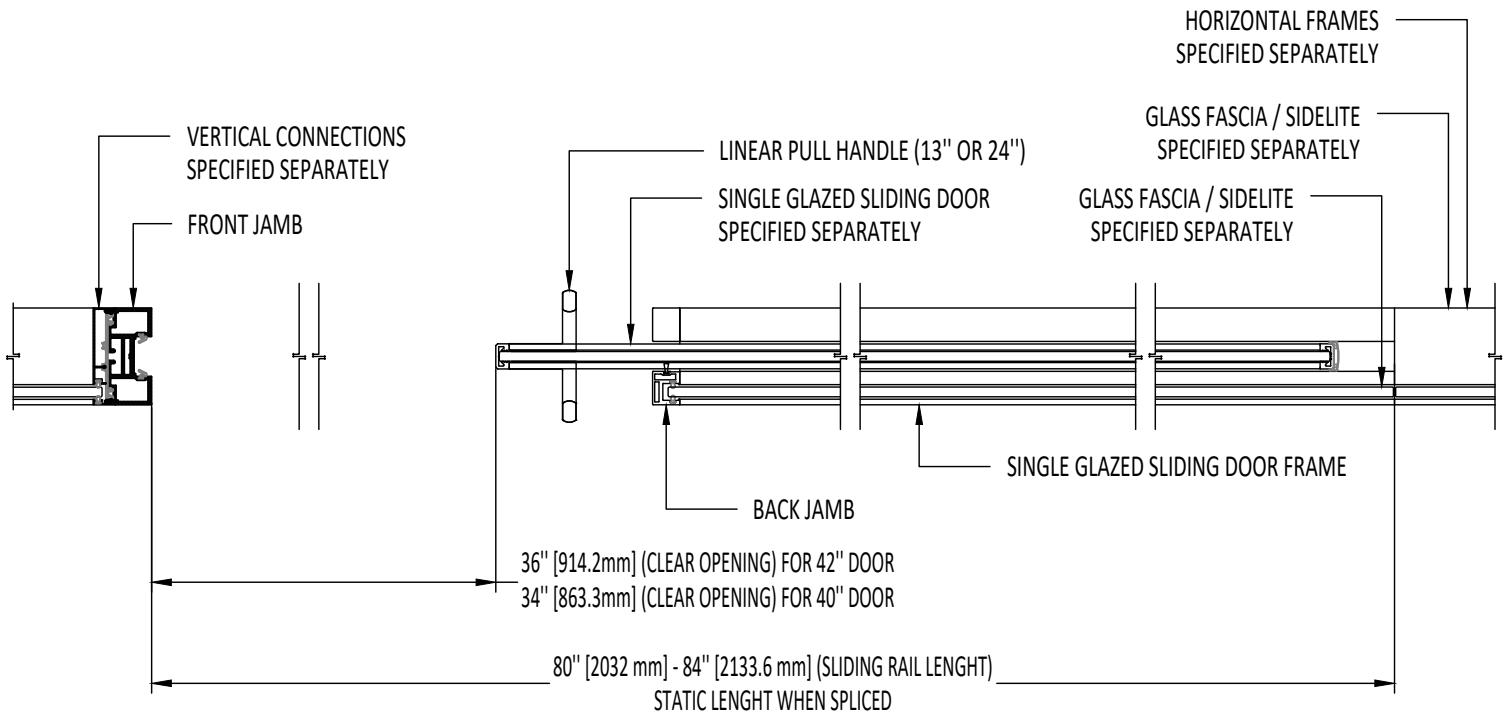
This drawing is the property of Teknion Limited and is subject to return upon demand. It must not be copied or reproduced in any manner, nor submitted to any outside parties for examination without Teknion consent. This drawing must not be scaled, or used for construction purposes.

www.teknion.com

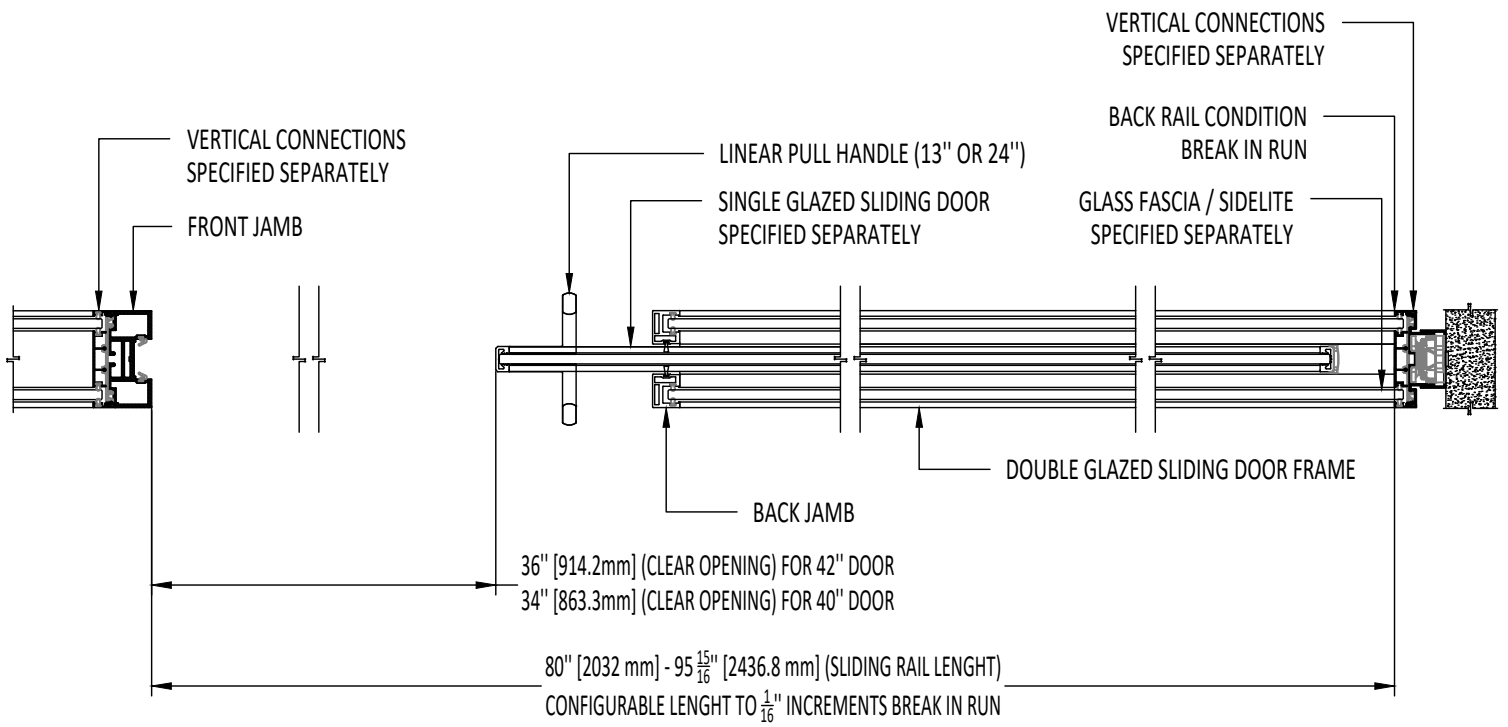
teknion



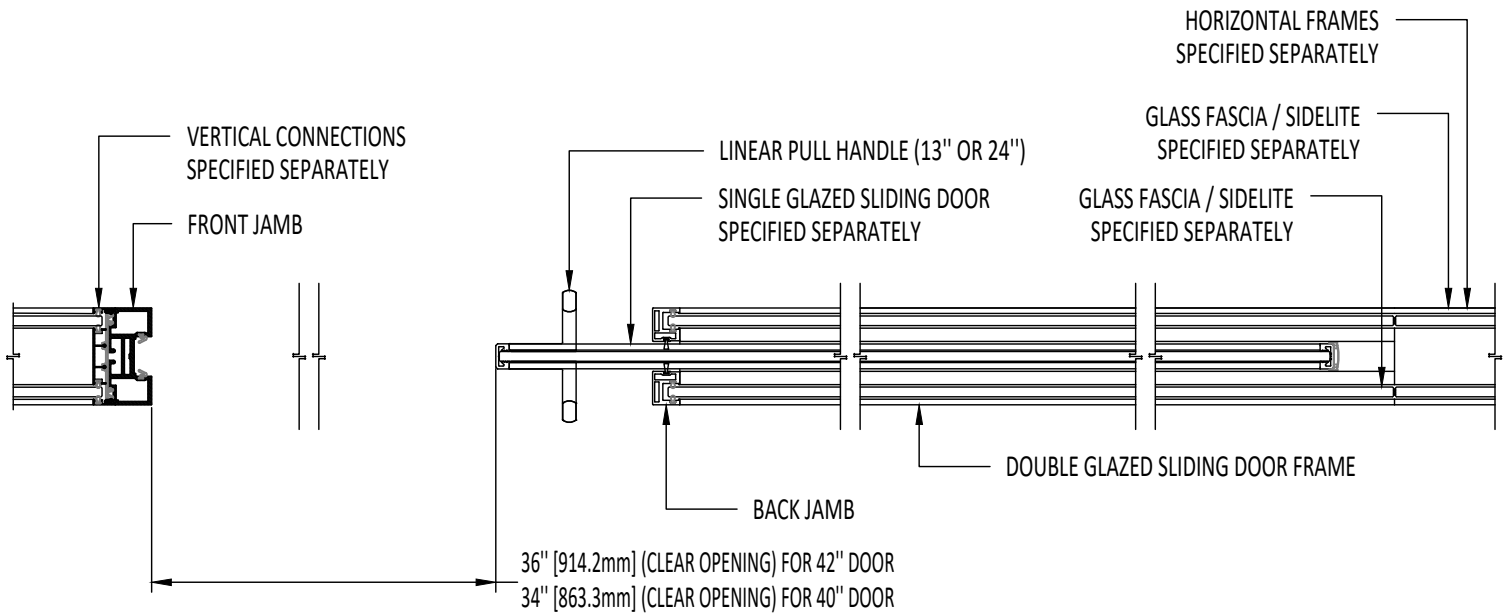
① HORIZONTAL SECTION THROUGH OPEN SLIDING DOOR - SINGLE GLAZED FRAMED - BREAK IN RUN



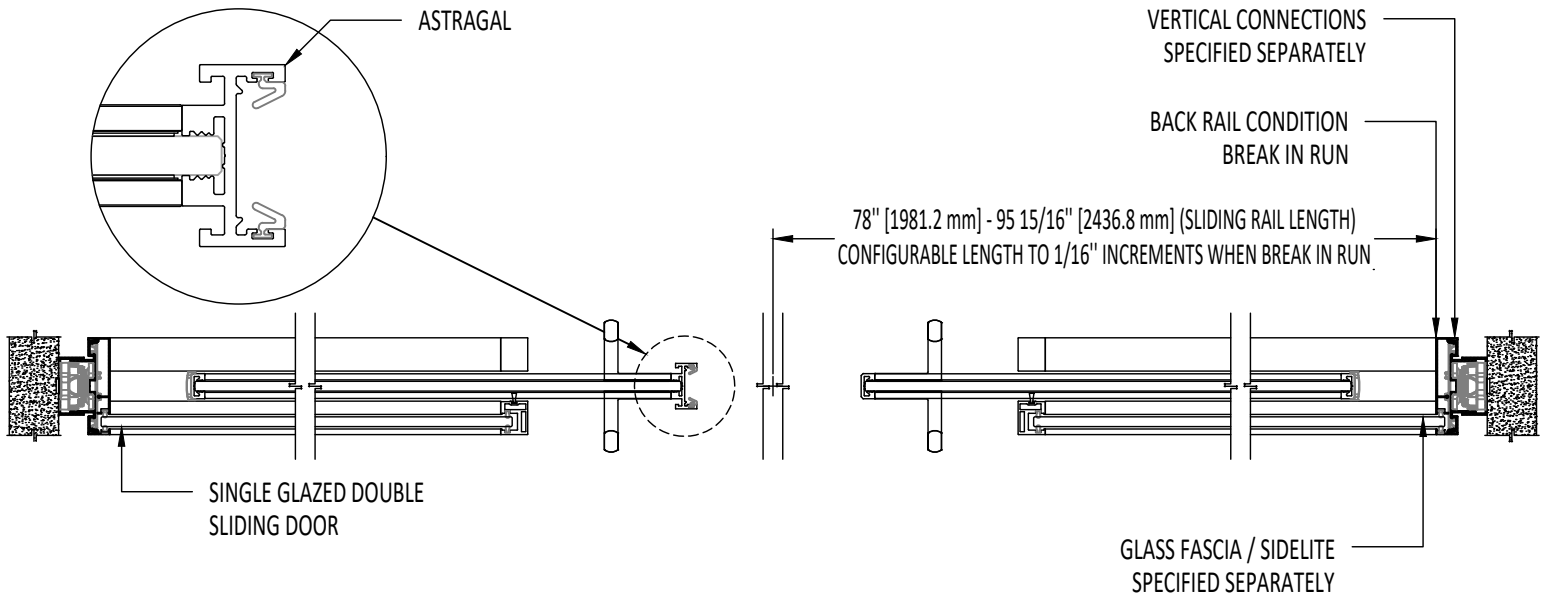
② HORIZONTAL SECTION THROUGH OPEN SLIDING DOOR - SINGLE GLAZED FRAMED - SPLICE POINT



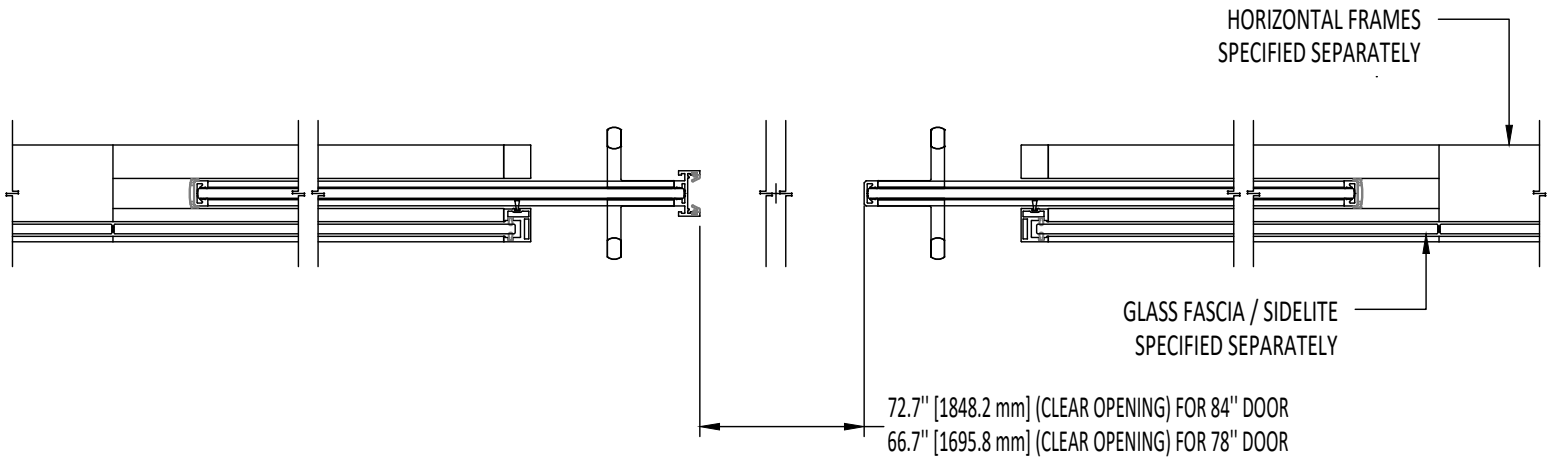
① HORIZONTAL SECTION THROUGH OPEN SLIDING DOOR - DOUBLE GLAZED FRAMED - BREAK IN RUN



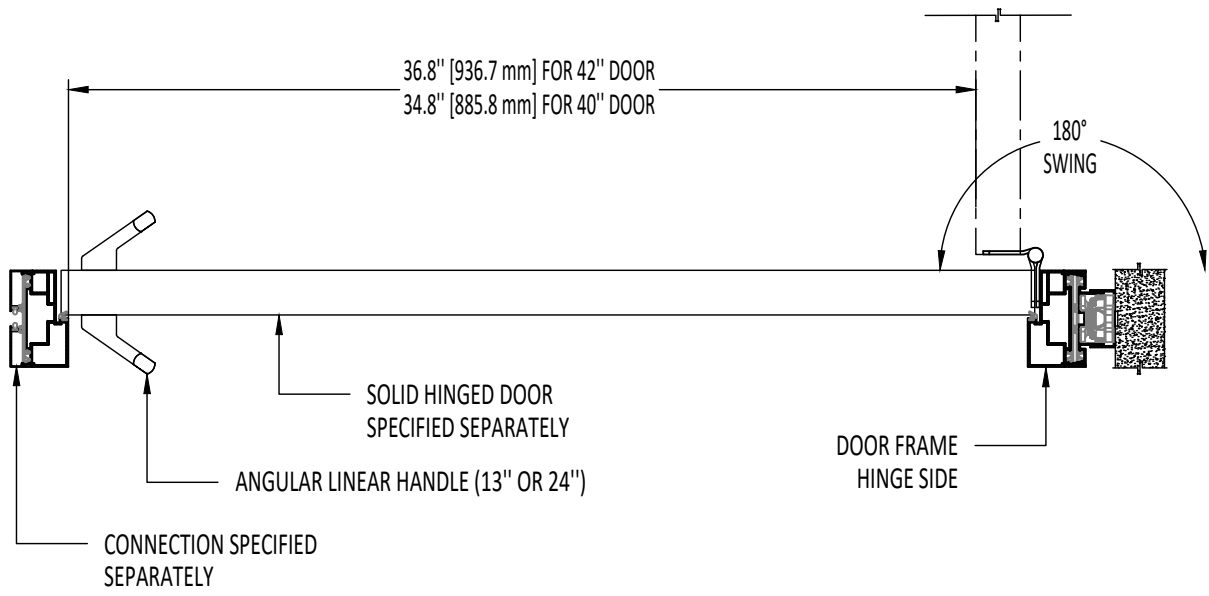
② HORIZONTAL SECTION THROUGH OPEN SLIDING DOOR - DOUBLE GLAZED FRAMED - SPLICE POINT



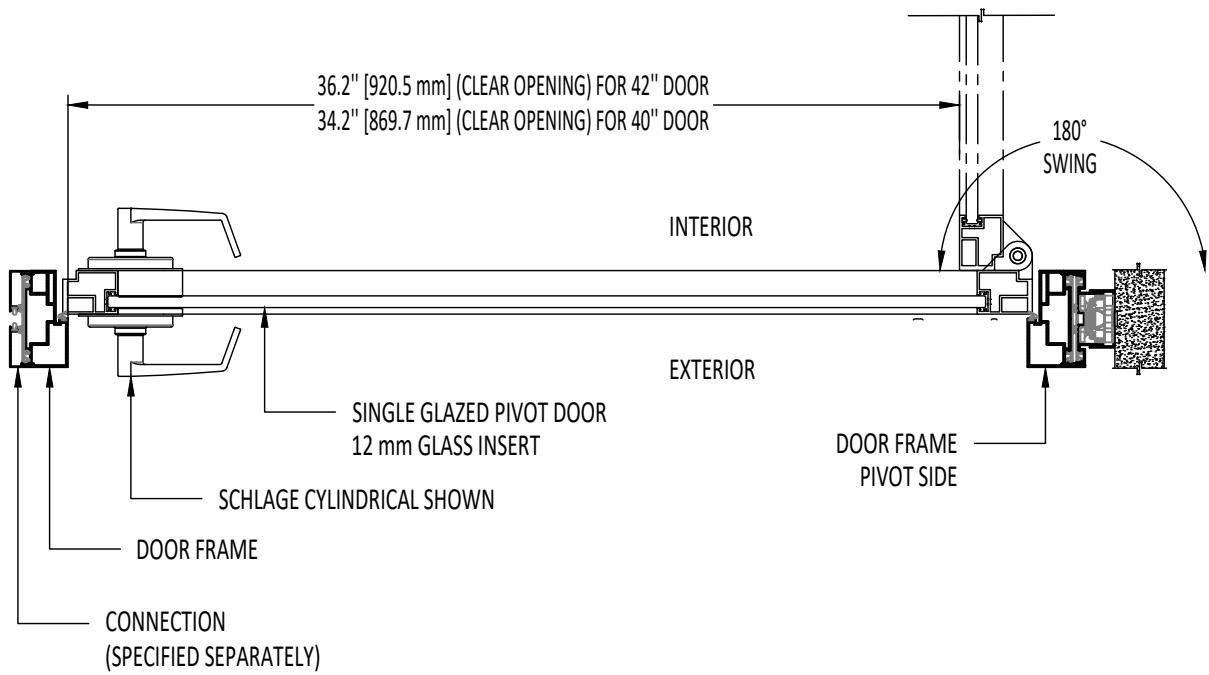
① HORIZONTAL SECTION THROUGH OPEN DOUBLE SLIDING DOOR - SINGLE GLAZED FRAMED - BREAK IN RUN



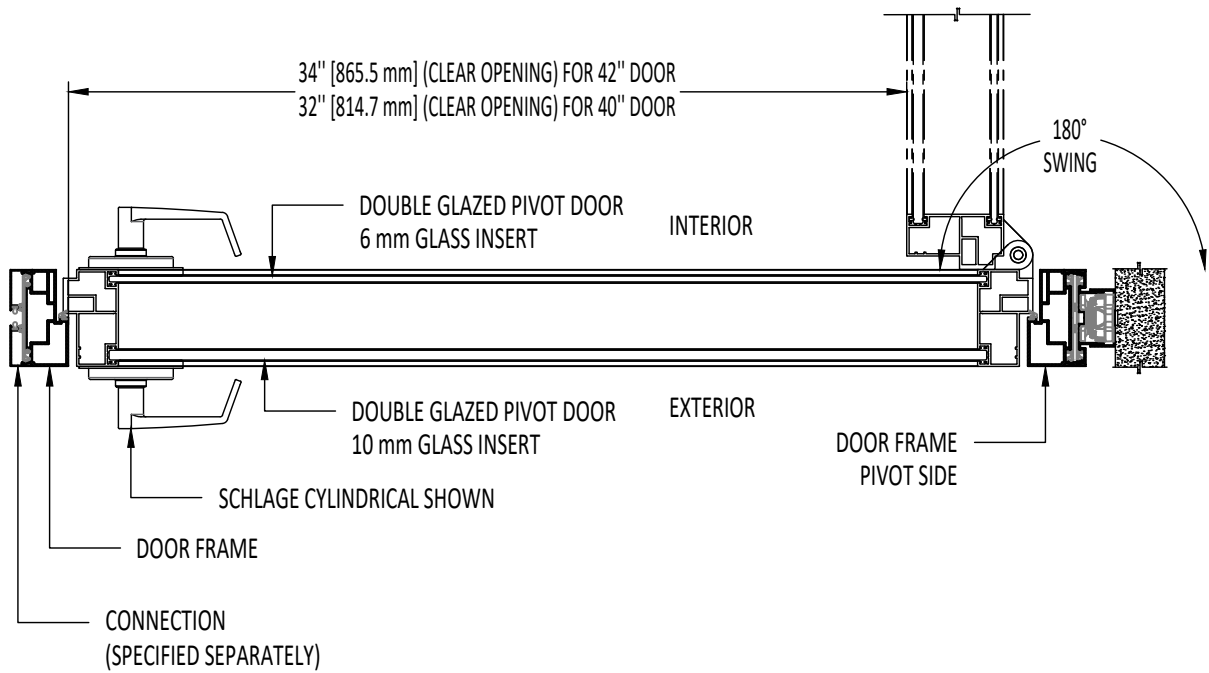
② HORIZONTAL SECTION THROUGH OPEN DOUBLE SLIDING DOOR - SINGLE GLAZED FRAMED - SPLICE POINT



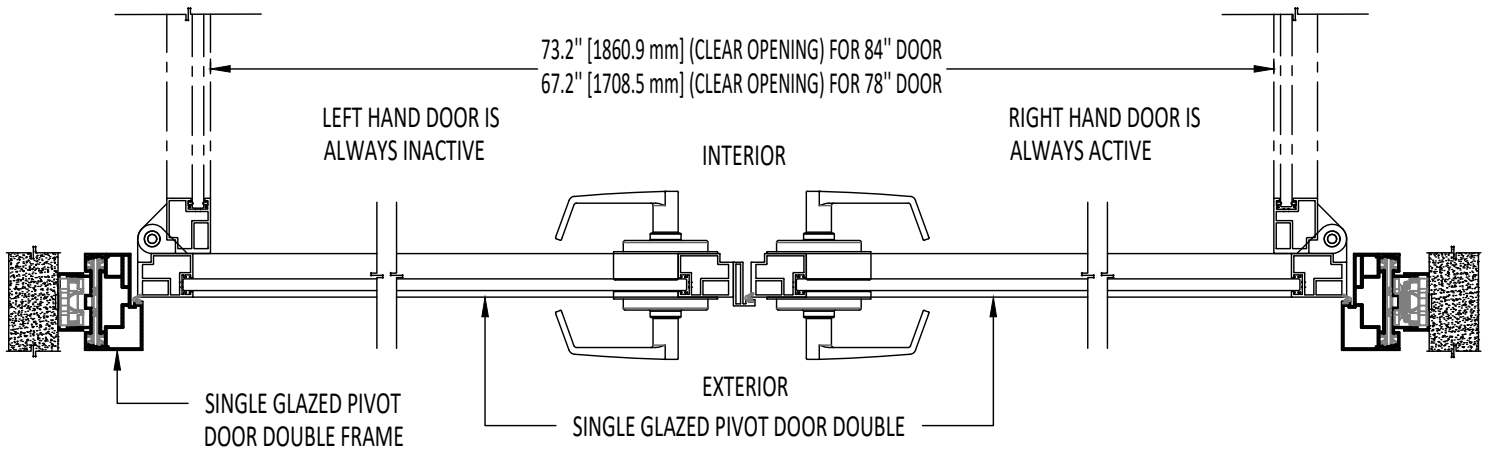
① HORIZONTAL SECTION THROUGH SOLID HINGED DOOR



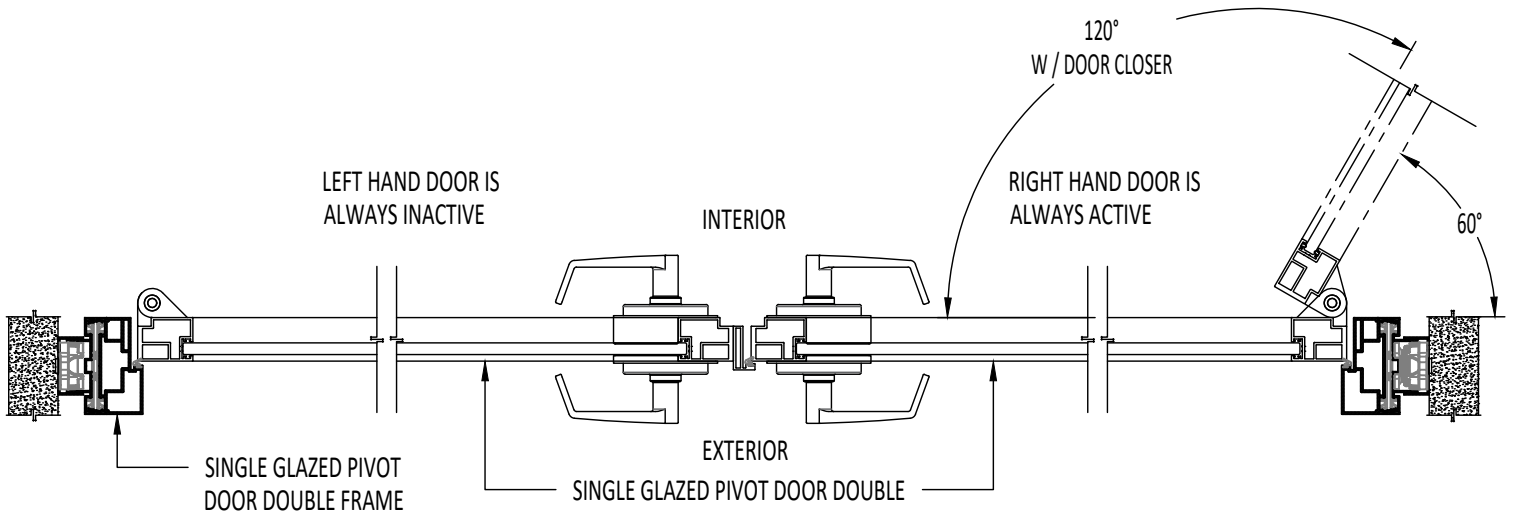
① HORIZONTAL SECTION THROUGH SINGLE GLAZED PIVOT DOOR



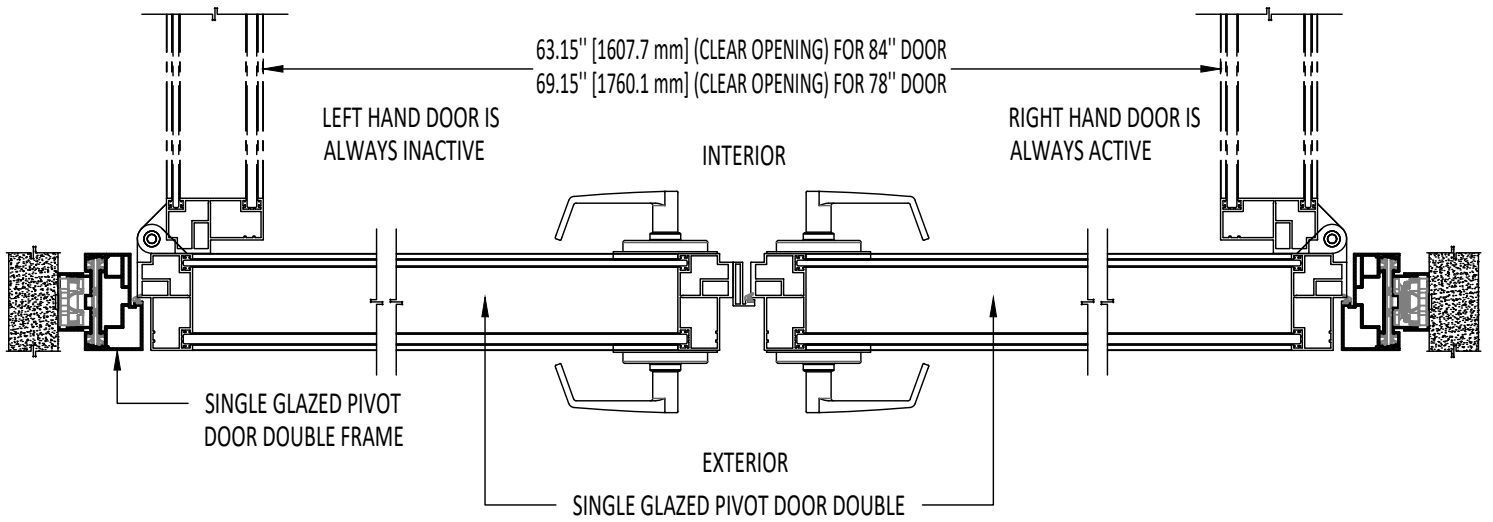
② HORIZONTAL SECTION THROUGH DOUBLE GLAZED PIVOT DOOR



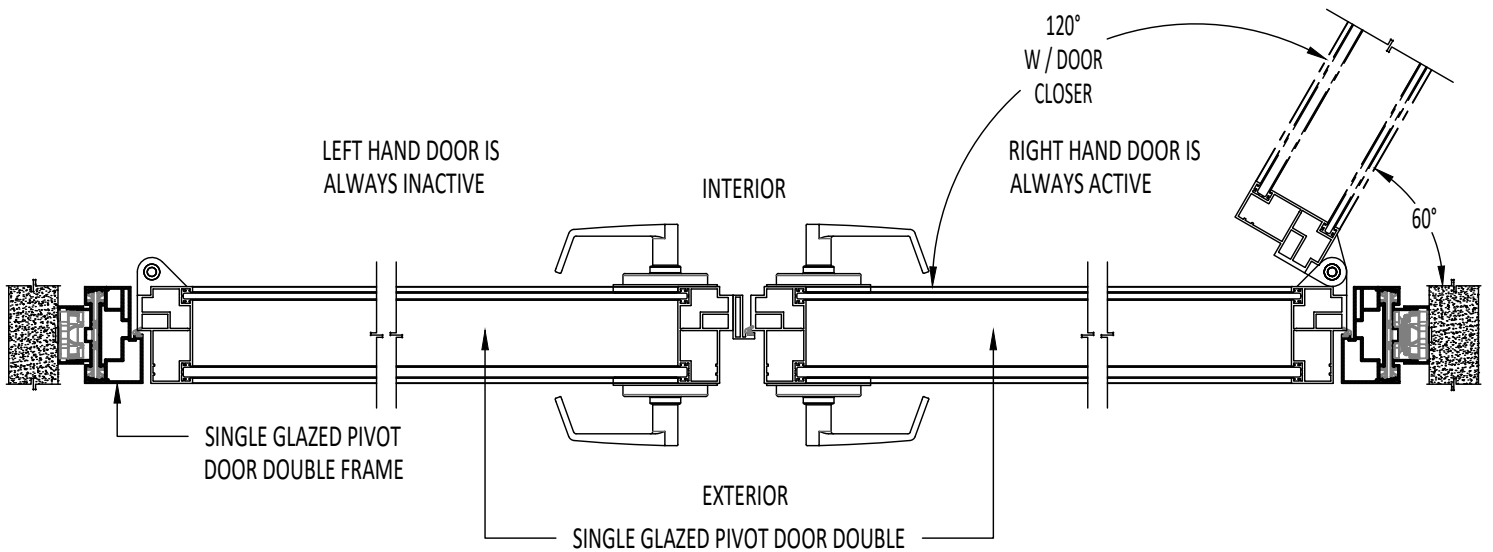
① HORIZONTAL SECTION THROUGH SINGLE GLAZED PIVOT DOOR - DOUBLE



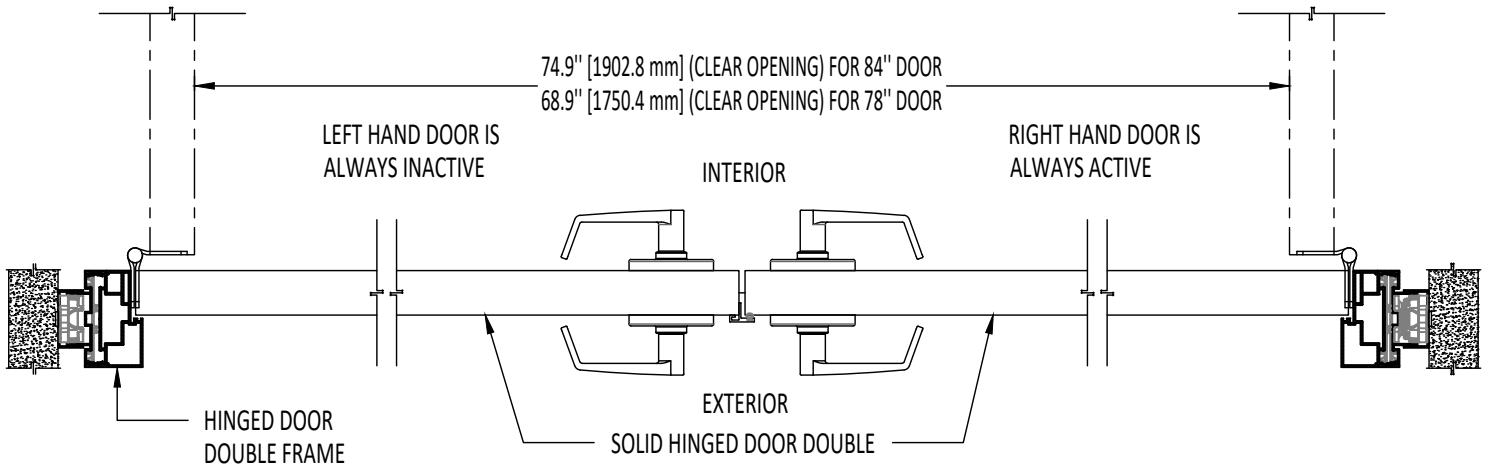
② HORIZONTAL SECTION THROUGH SINGLE GLAZED PIVOT DOOR - DOUBLE OPEN



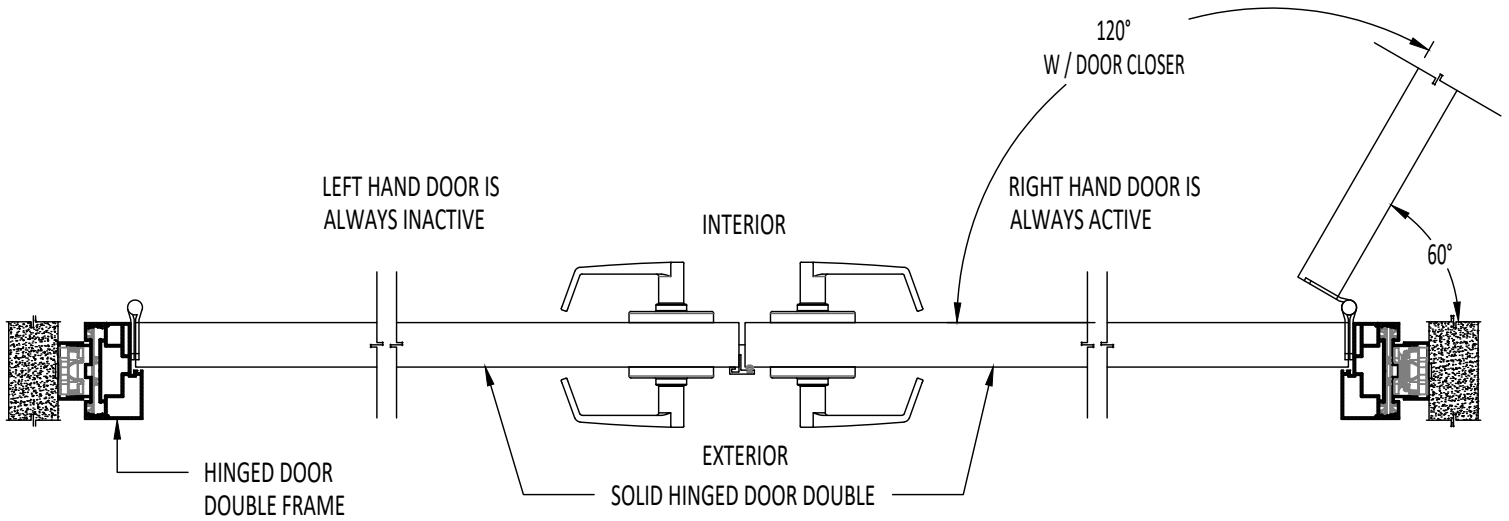
① HORIZONTAL SECTION THROUGH DOUBLE GLAZED PIVOT DOOR - DOUBLE



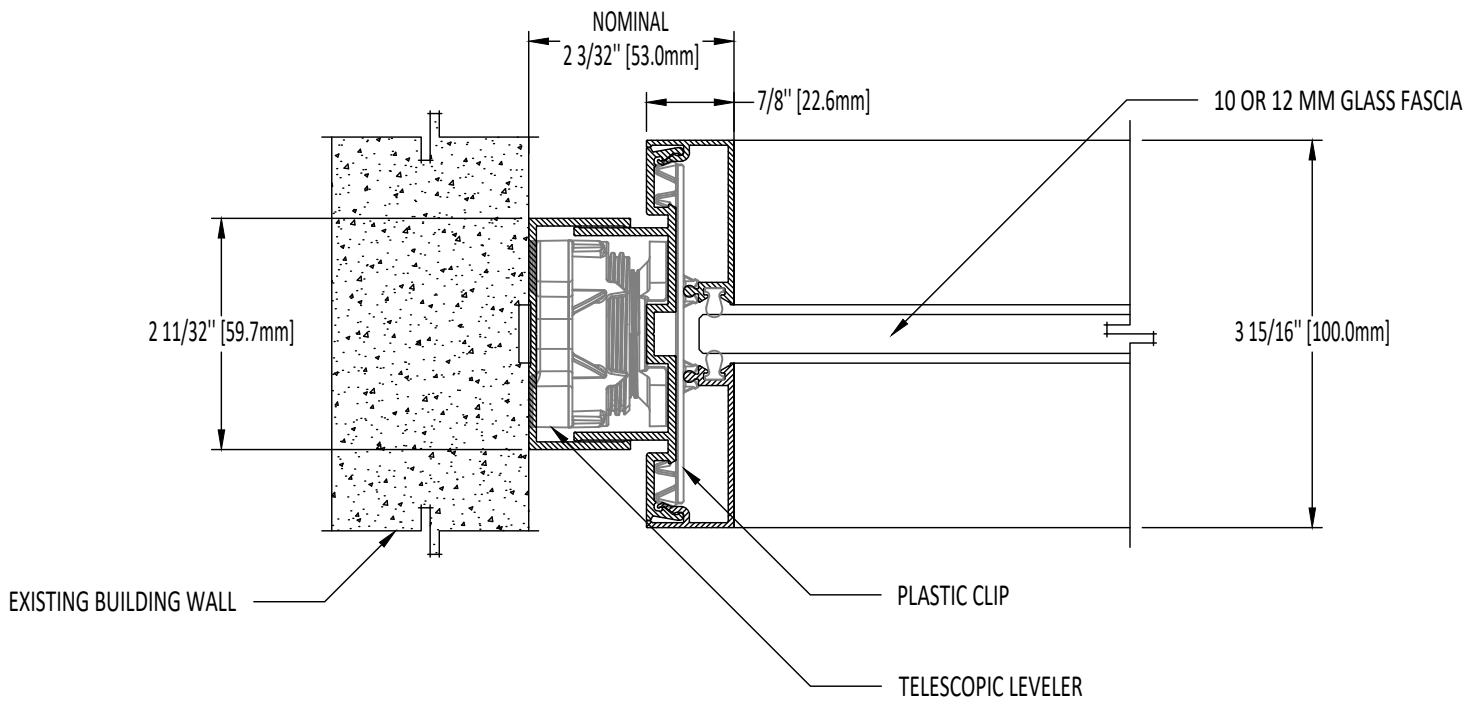
② HORIZONTAL SECTION THROUGH DOUBLE GLAZED PIVOT DOOR - DOUBLE OPEN



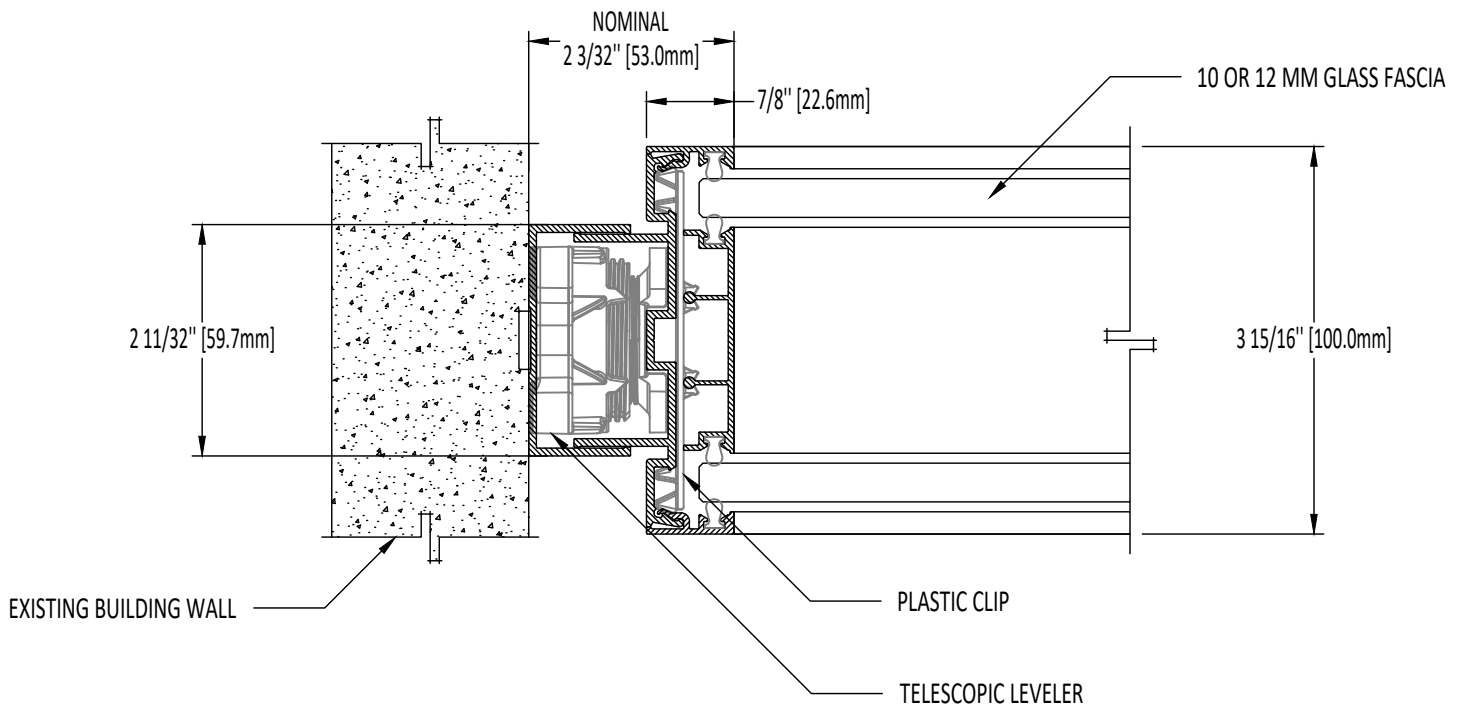
① HORIZONTAL SECTION THROUGH SOLID HINGED DOOR - DOUBLE



② HORIZONTAL SECTION THROUGH SOLID HINGED DOOR - DOUBLE



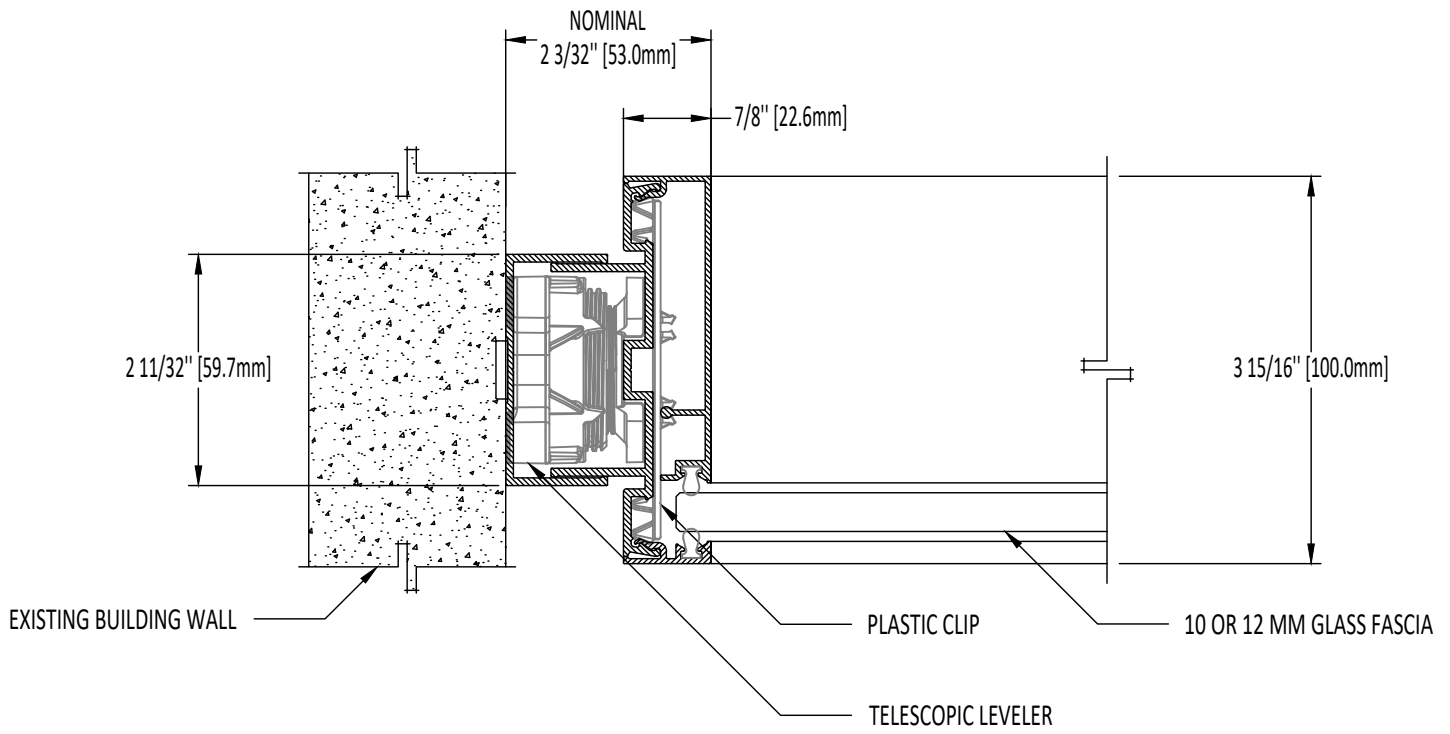
① WALL START SINGLE CENTERED GLASS



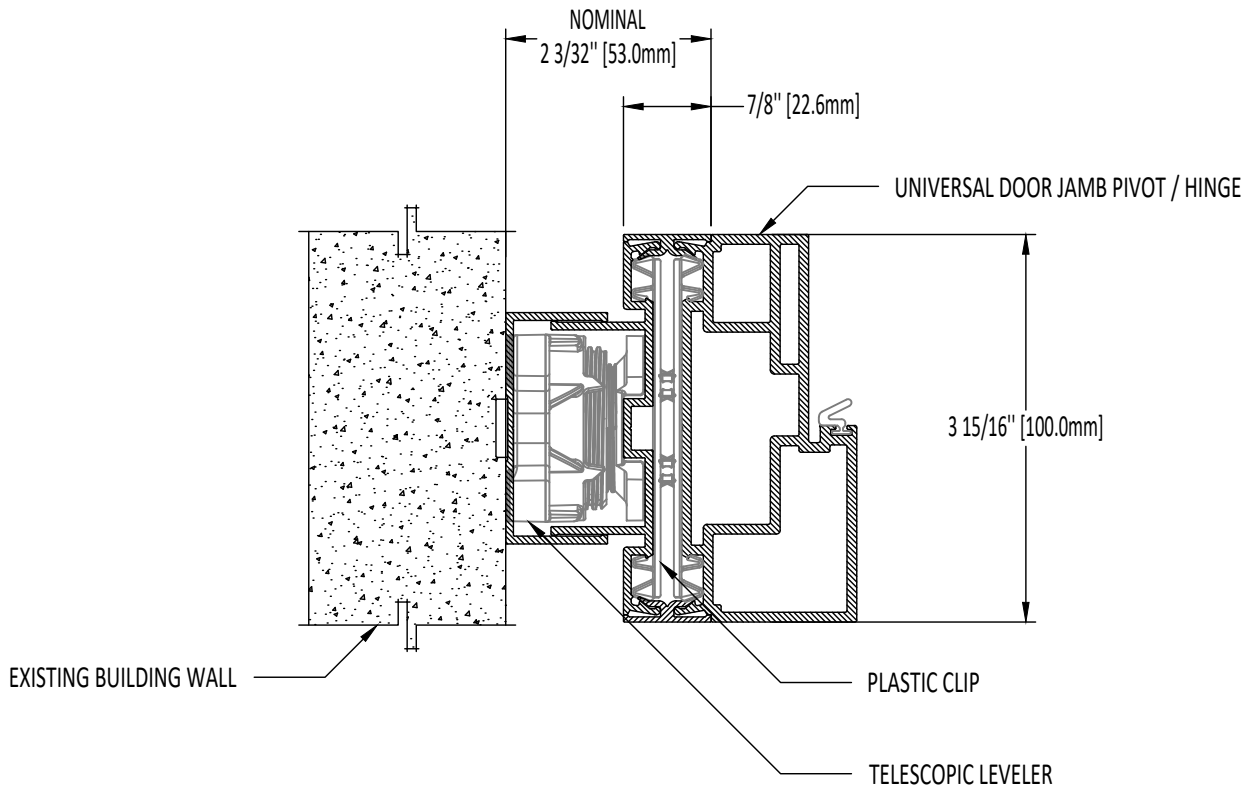
② WALL START DOUBLE GLASS

WALL STARTS

6"=1'-0"



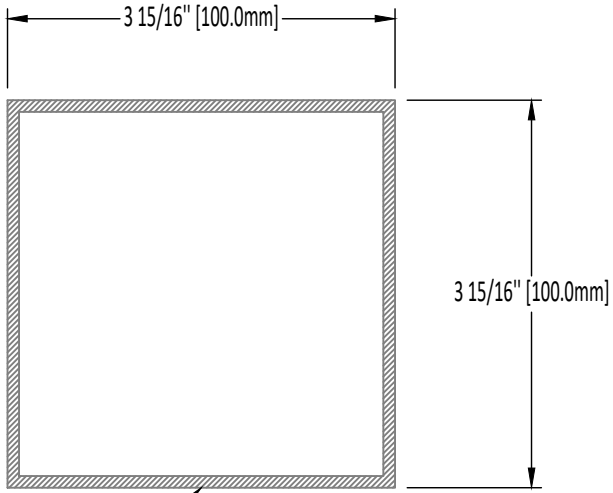
① WALL START OFFSET GLASS



② WALL START DOOR

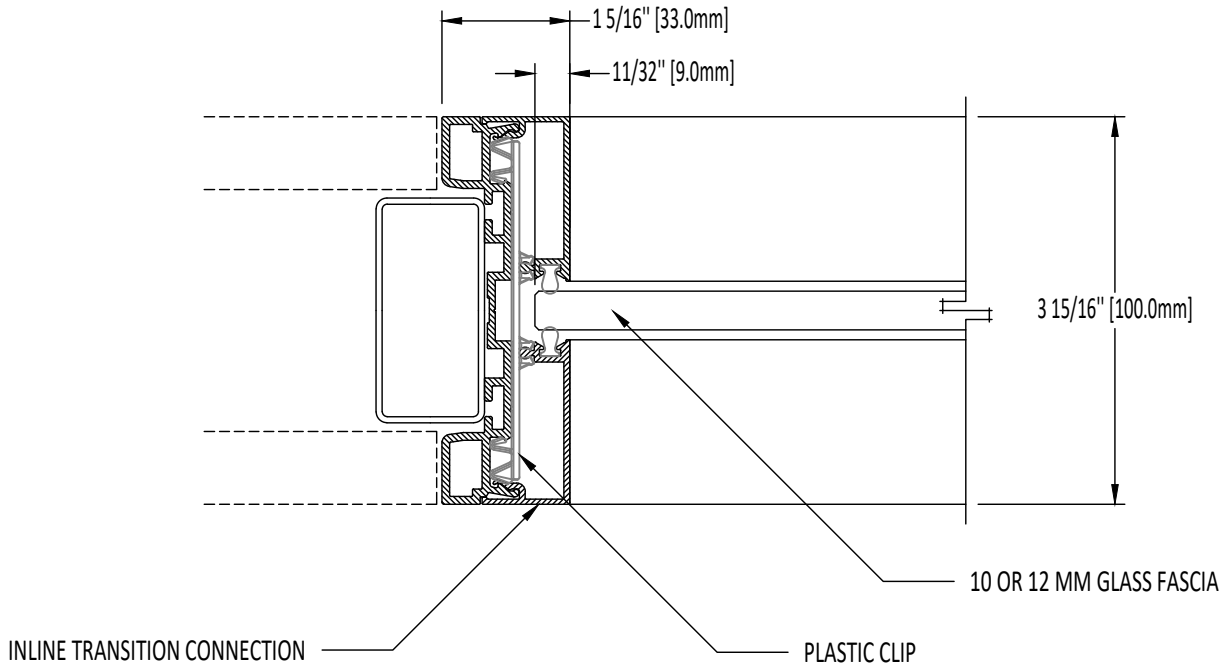
WALL STARTS

6"=1'-0"

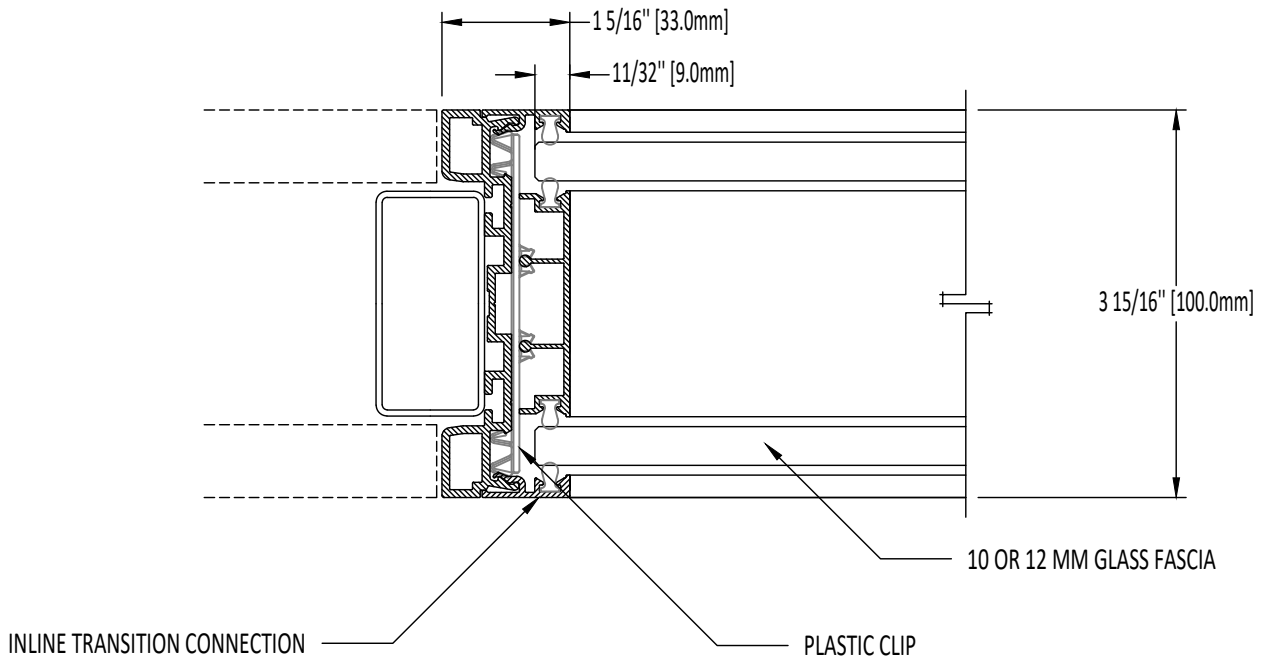


CORNER TRANSITION

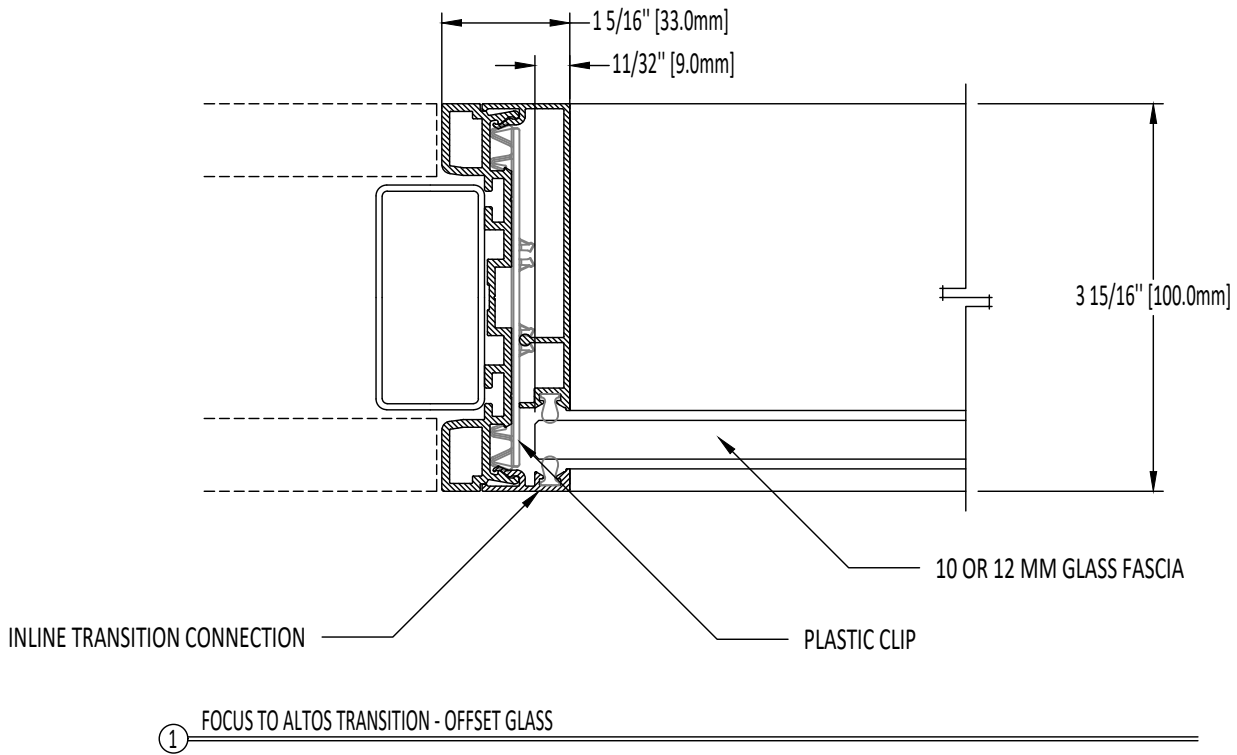
① CORNER TRANSITION

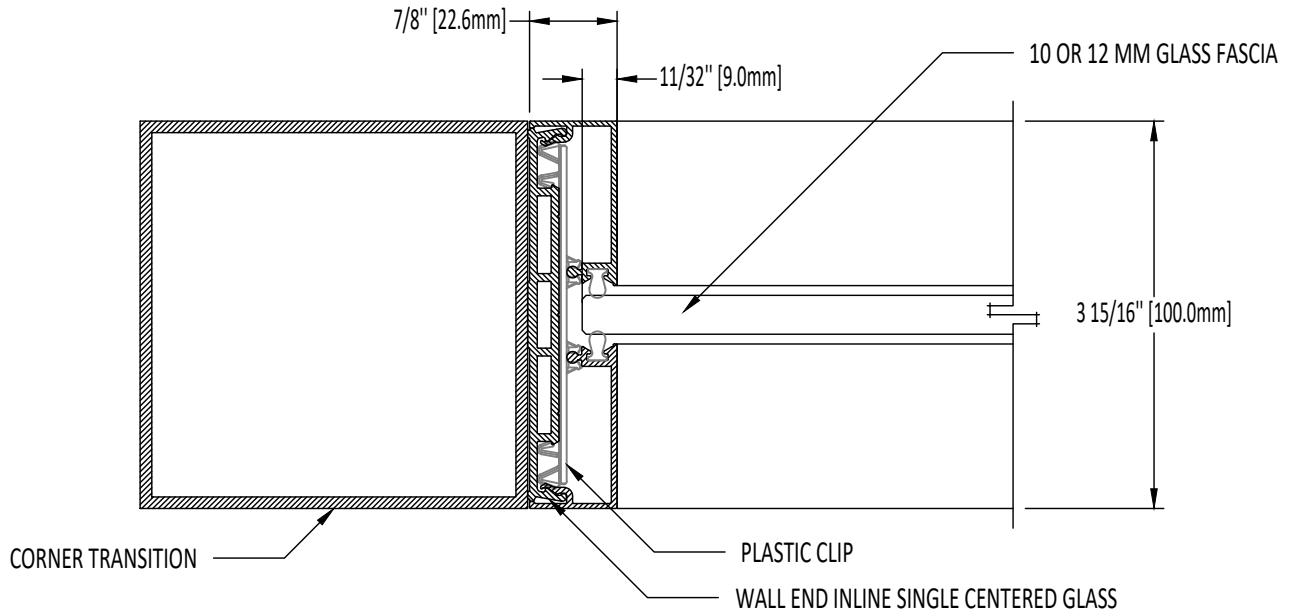


① FOCUS TO ALTOS TRANSITION - SINGLE CENTERED GLASS

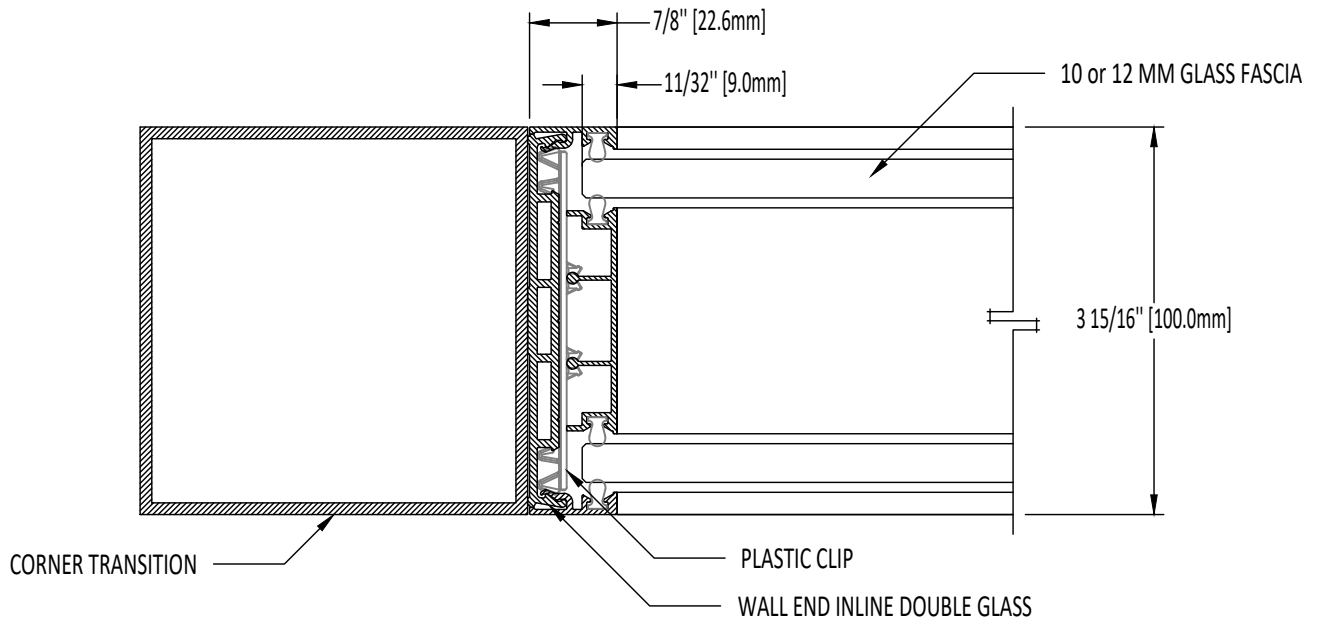


② FOCUS TO ALTOS TRANSITION - DOUBLE GLASS

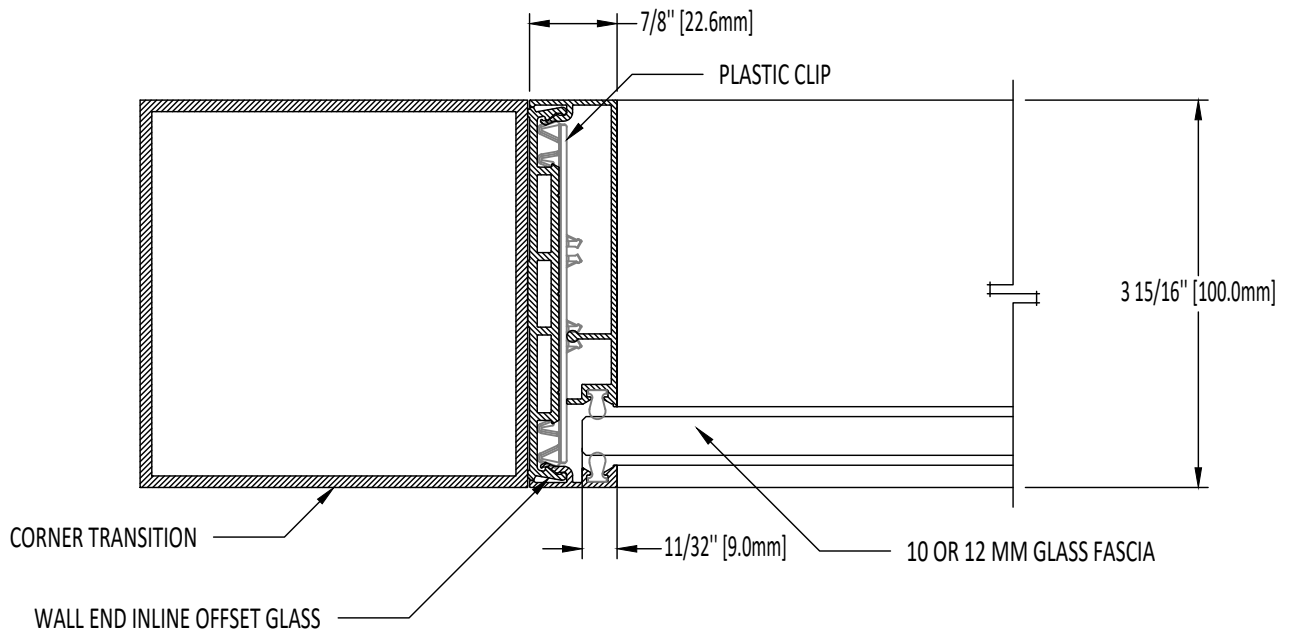




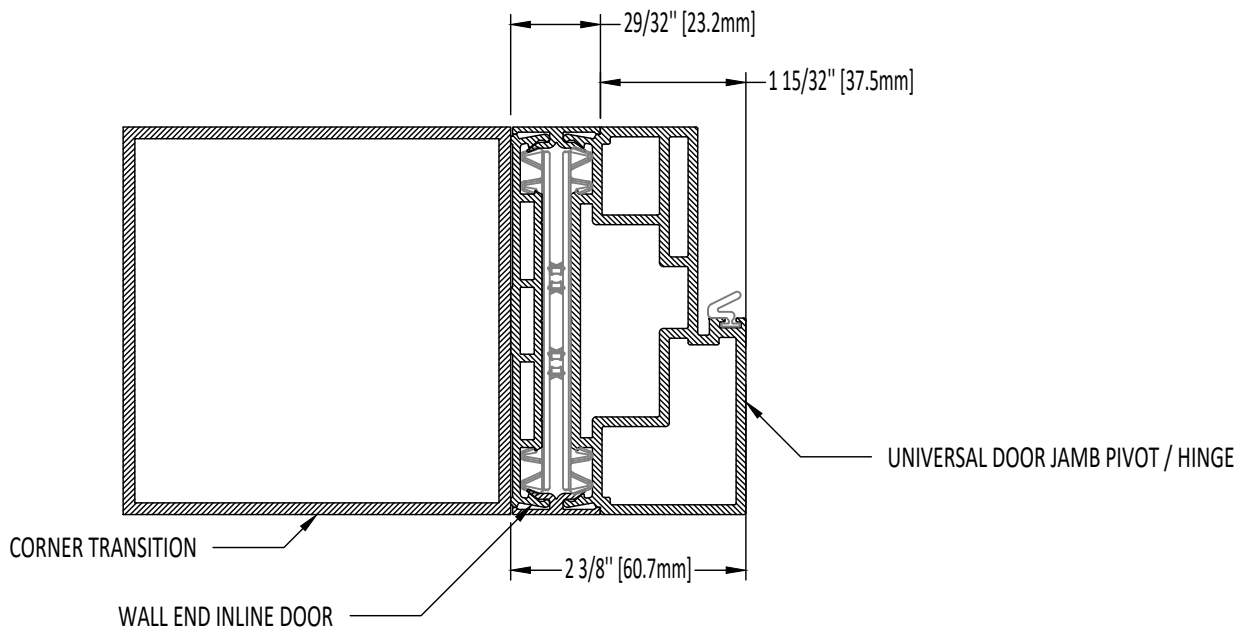
① WALL END INLINE SINGLE CENTERED GLASS



② WALL END INLINE DOUBLE GLASS



① WALL END INLINE OFFSET GLASS



WALL TRANSITIONS & WALL ENDS

6"=1'-0"

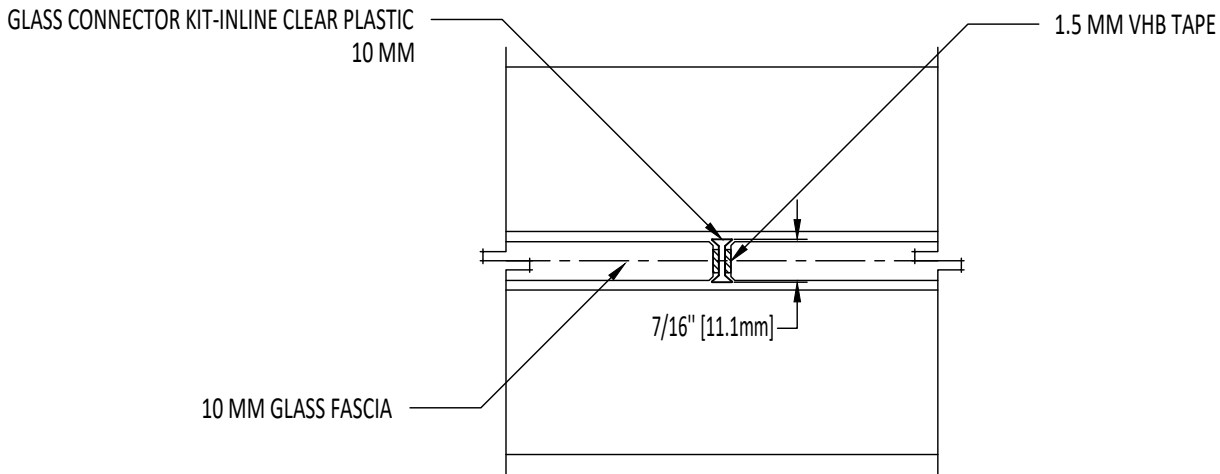
FOCUS DETAIL DRAWING PACKAGE

JUN 24, 2024

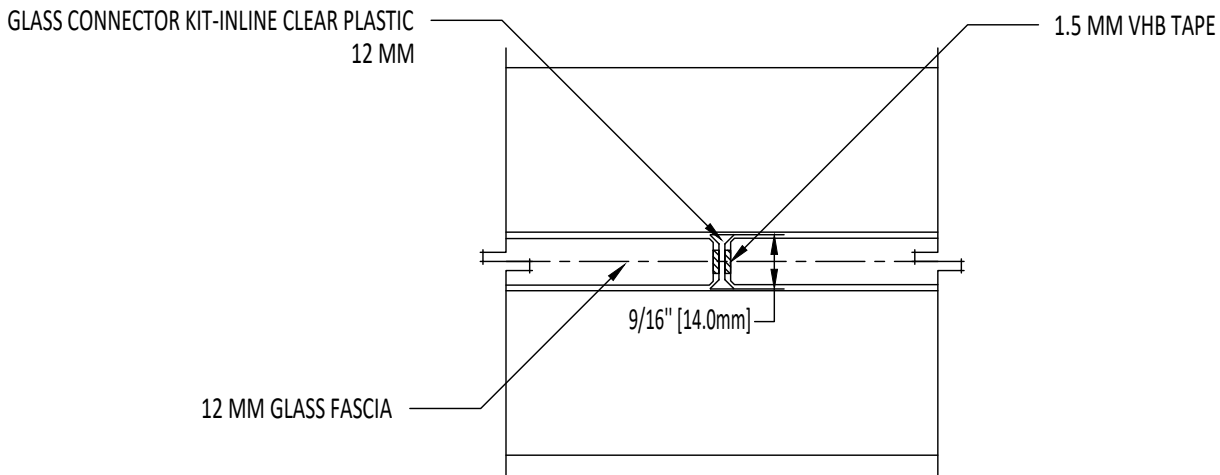
Rev 06

D-05

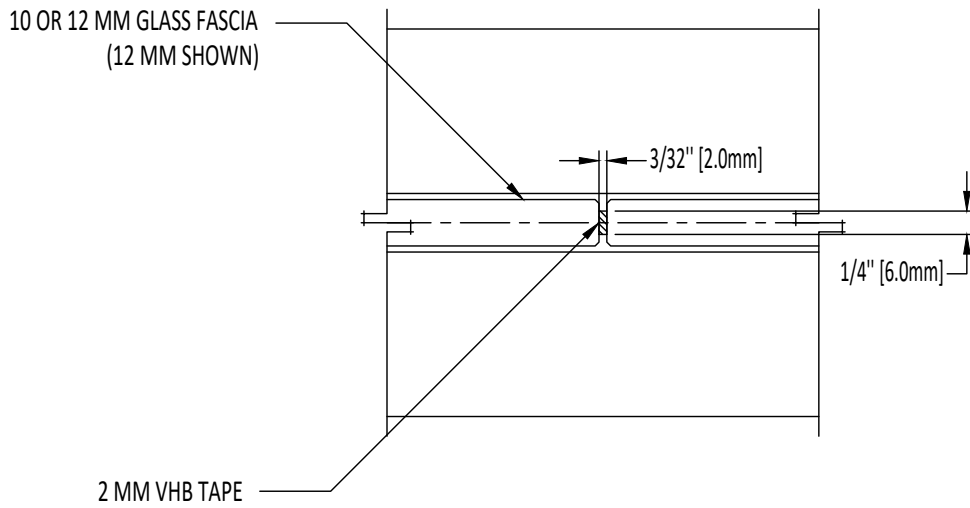
This drawing is the property of Teknion Limited and is subject to return upon demand. It must not be copied or reproduced in any manner, nor submitted to any outside parties for examination without Teknion consent. This drawing must not be scaled, or used for construction purposes.



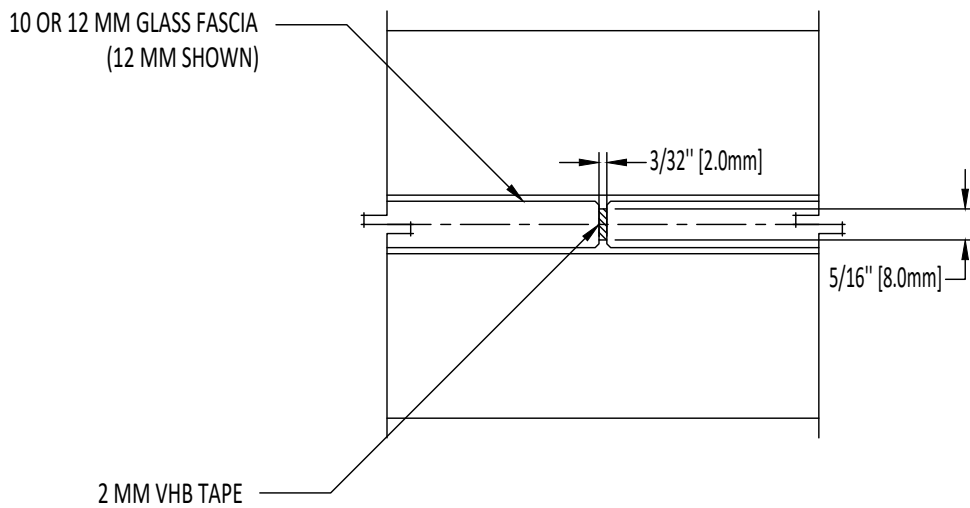
① GLASS CONNECTOR KIT-INLINE TAPE - 10 MM



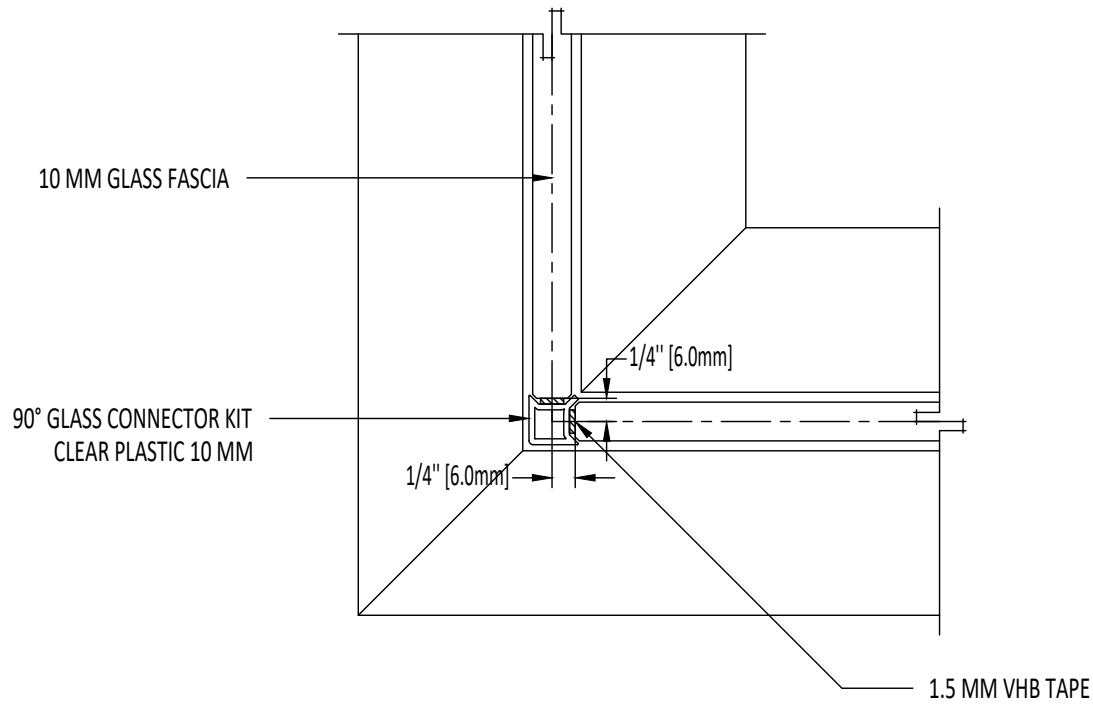
② GLASS CONNECTOR KIT-INLINE TAPE - 12 MM



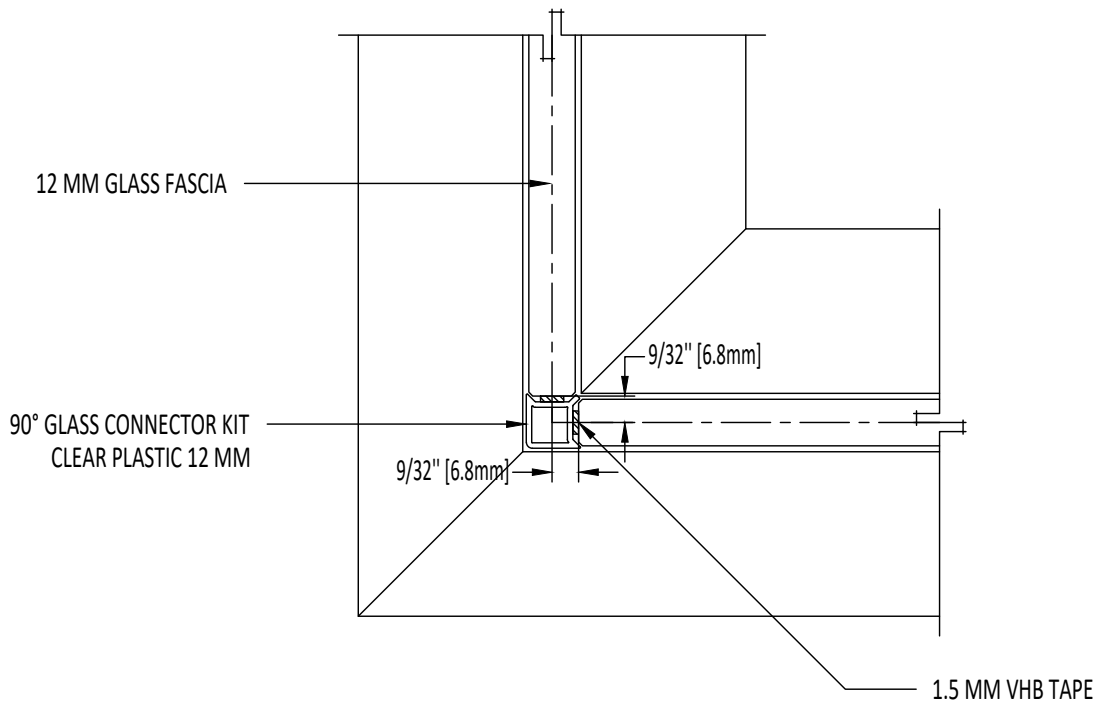
① GLASS CONNECTOR KIT-INLINE TAPE - 10 MM



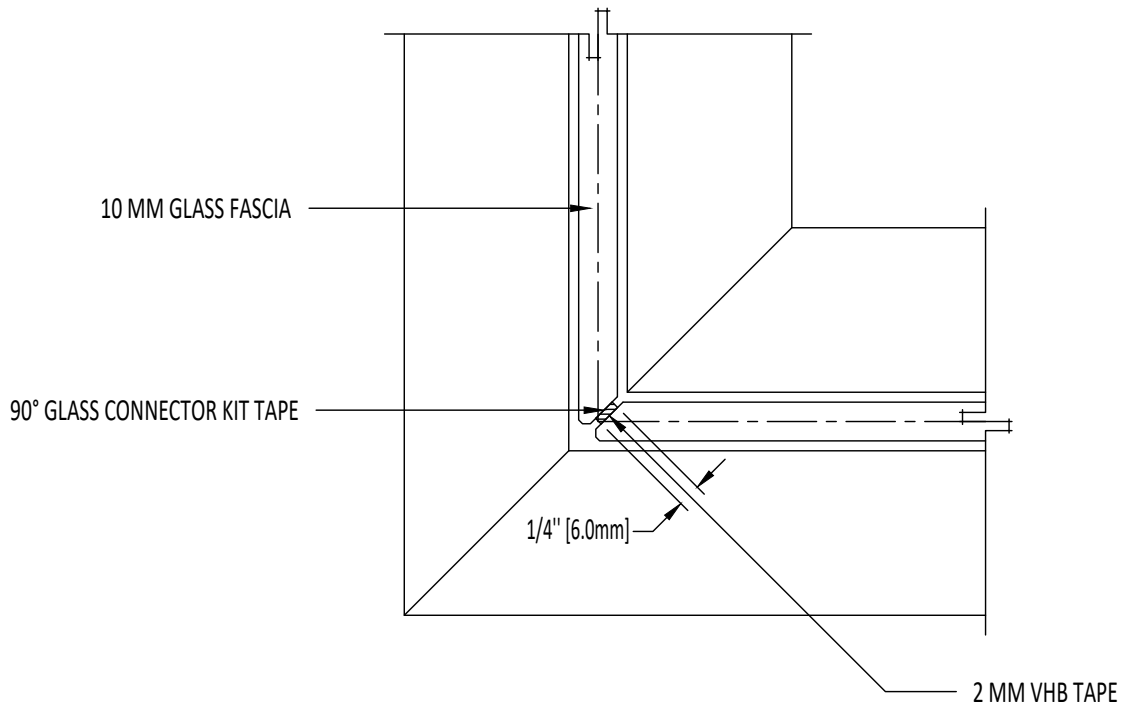
② GLASS CONNECTOR KIT-INLINE TAPE - 12 MM



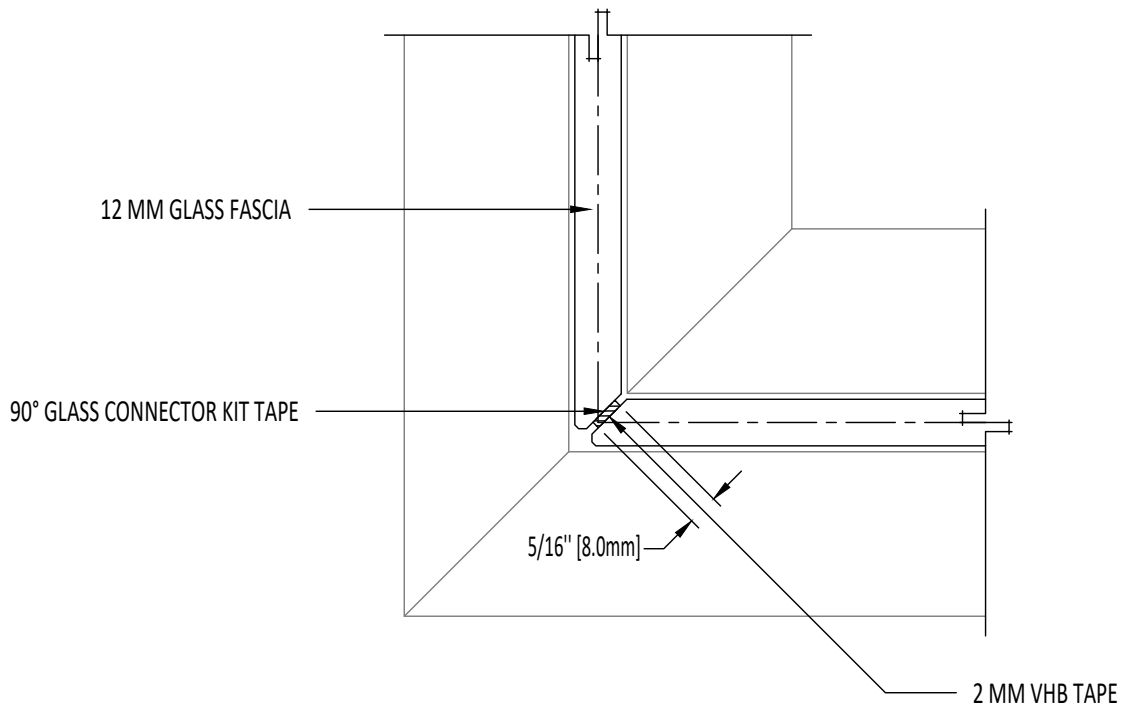
① 90° GLASS CONNECTOR KIT - 10 MM



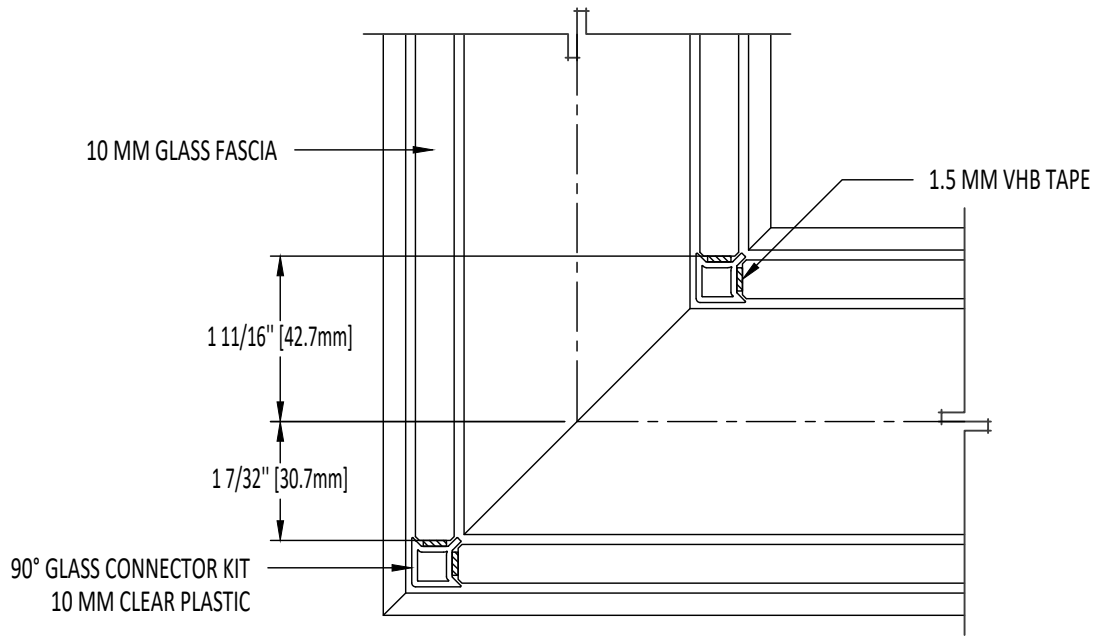
② 90° GLASS CONNECTOR KIT - 12 MM



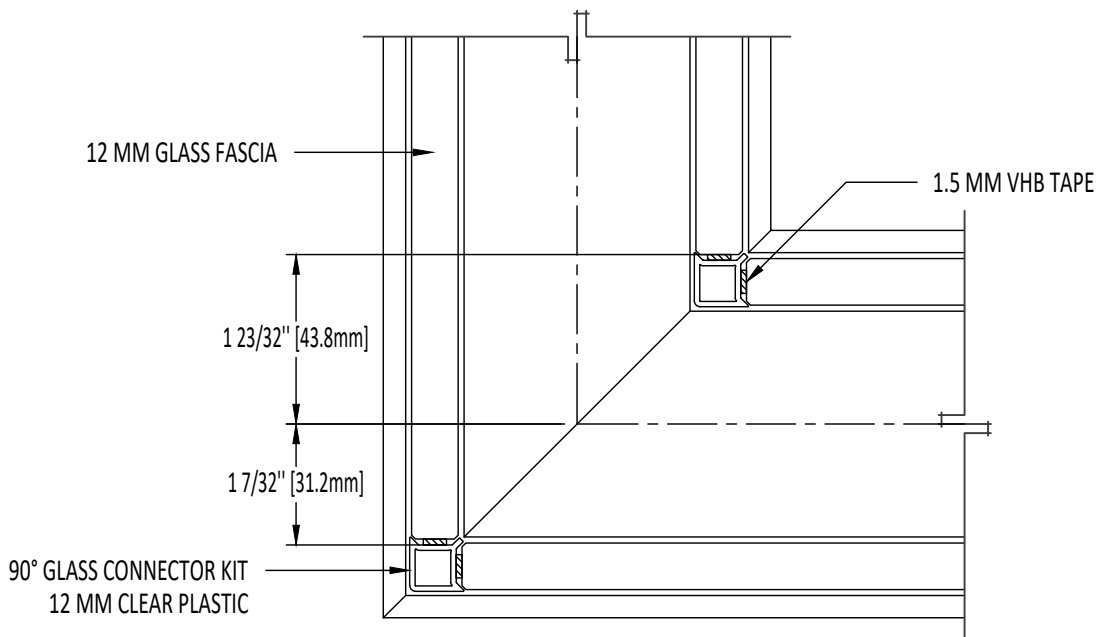
① 90° GLASS CONNECTOR KIT - 10 MM



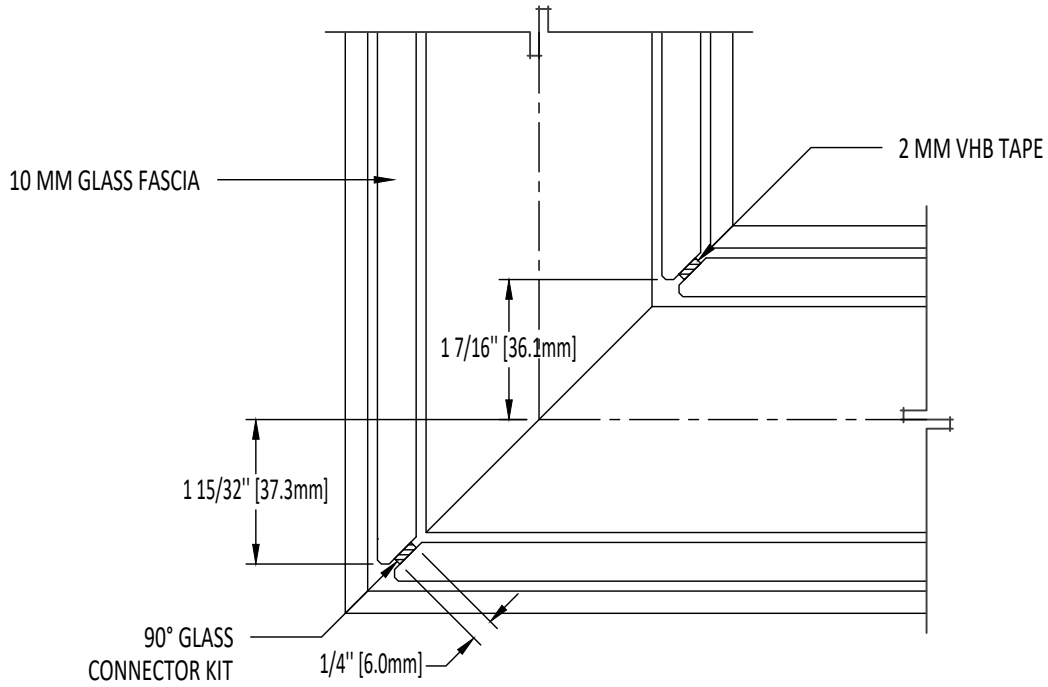
② 90° GLASS CONNECTOR KIT - 12 MM



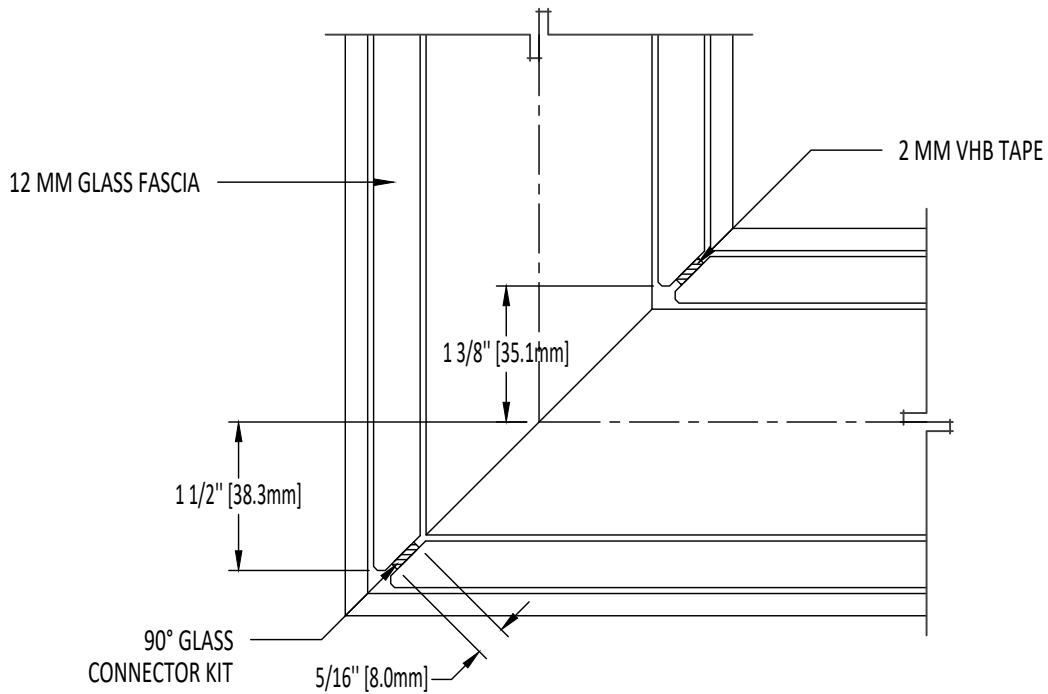
① 90° GLASS CONNECTOR KIT - 10 MM



② 90° GLASS CONNECTOR KIT - 12 MM



① 90° GLASS CONNECTOR KIT - 10 MM



② 90° GLASS CONNECTOR KIT - 12 MM

GLASS FASCIA & CONNECTORS

6"=1'-0"

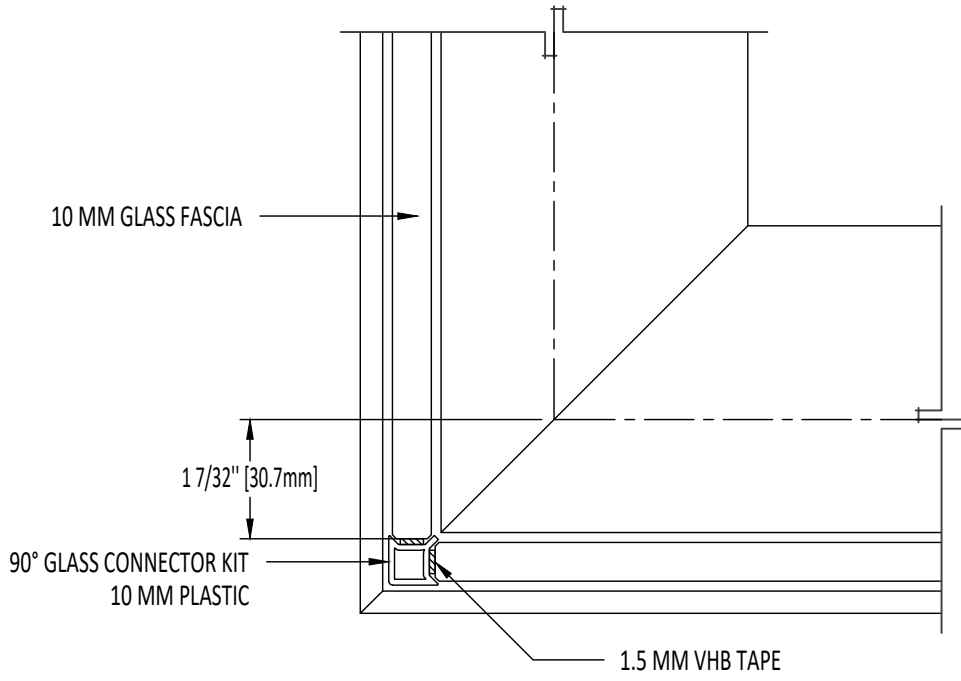
FOCUS DETAIL DRAWING PACKAGE

JUN 24, 2024

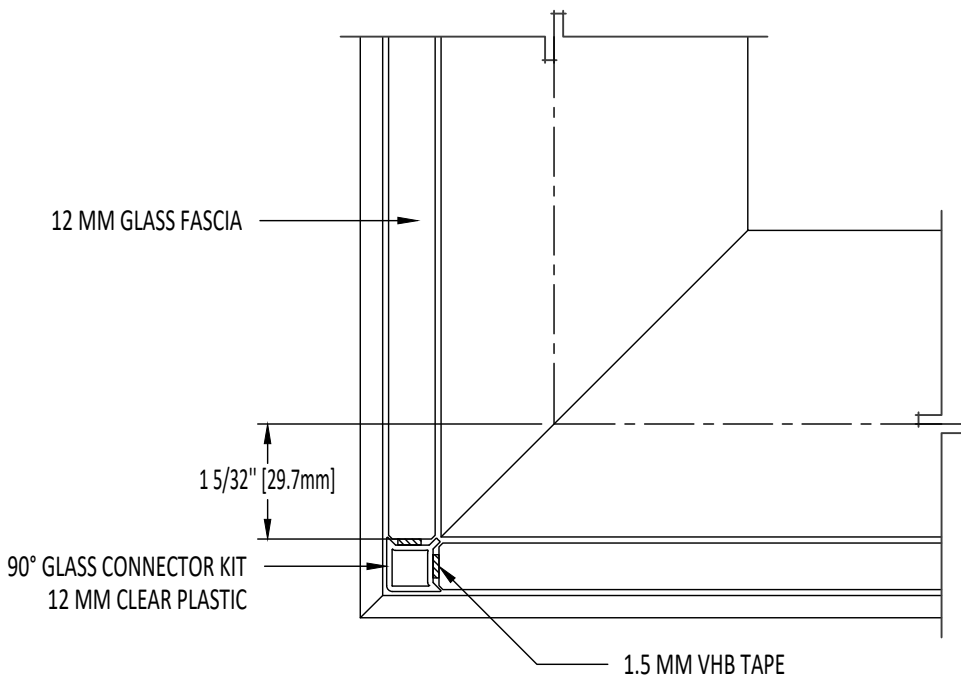
Rev 06

E-06

This drawing is the property of Teknion Limited and is subject to return upon demand. It must not be copied or reproduced in any manner, nor submitted to any outside parties for examination without Teknion consent. This drawing must not be scaled, or used for construction purposes.



① 90° GLASS CONNECTOR KIT - 10 MM



② 90° GLASS CONNECTOR KIT - 12 MM

GLASS FASCIAS & CONNECTORS

6"=1'-0"

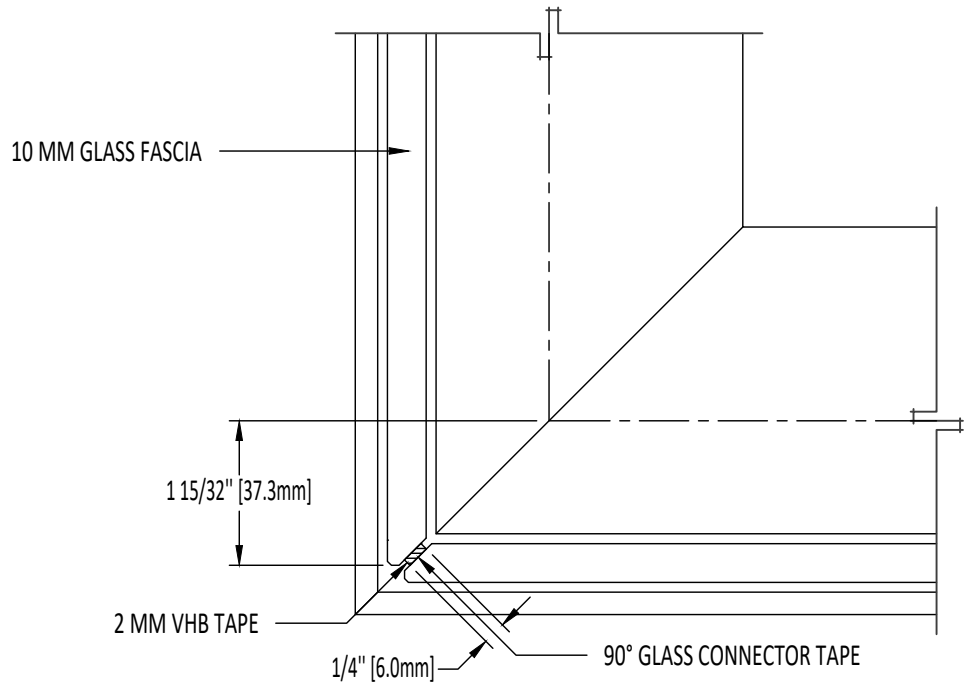
FOCUS DETAIL DRAWING PACKAGE

JUN 24, 2024

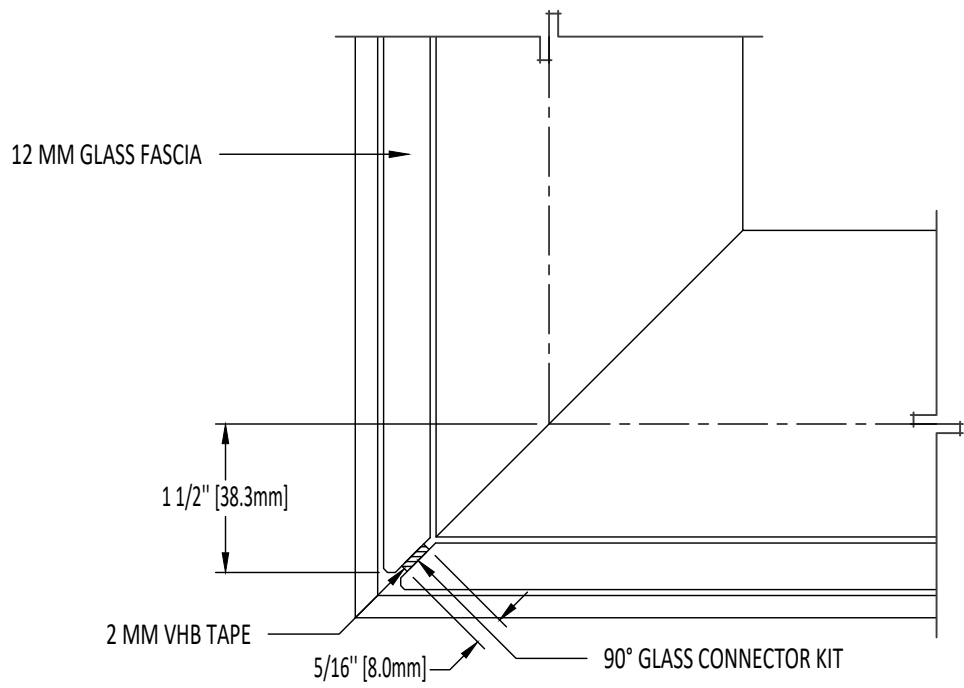
Rev 06

E-07

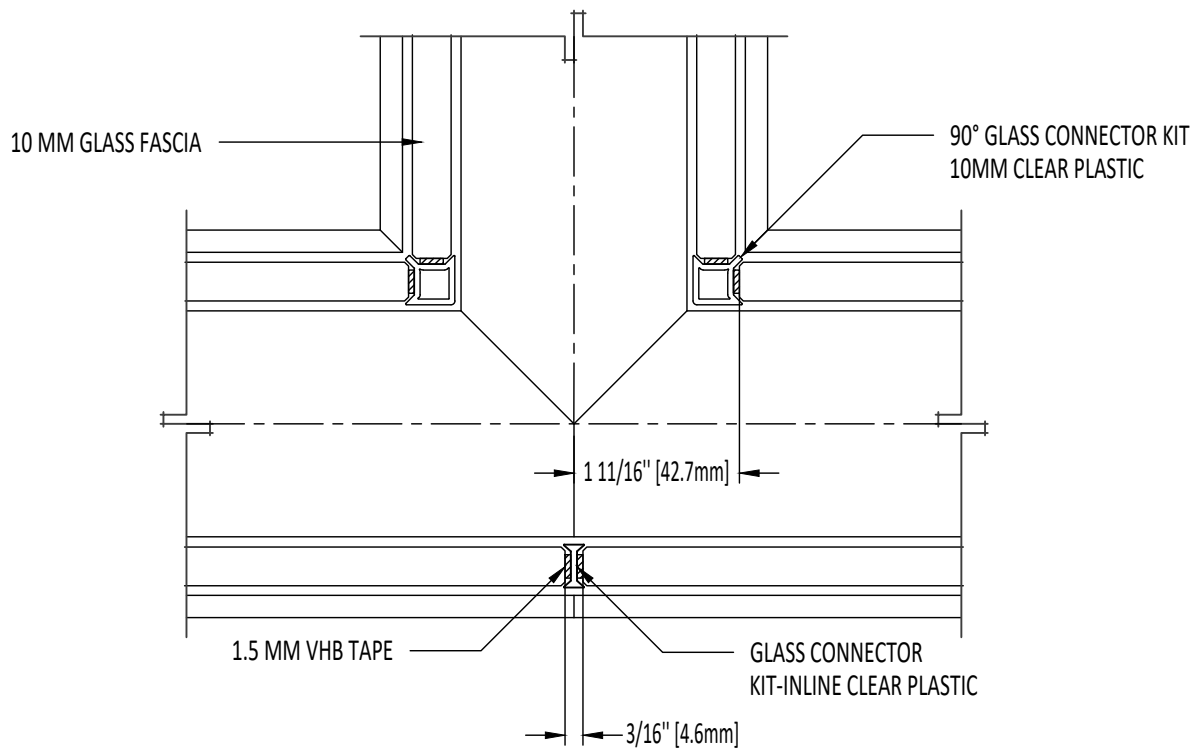
This drawing is the property of Teknion Limited and is subject to return upon demand. It must not be copied or reproduced in any manner, nor submitted to any outside parties for examination without Teknion consent. This drawing must not be scaled, or used for construction purposes.



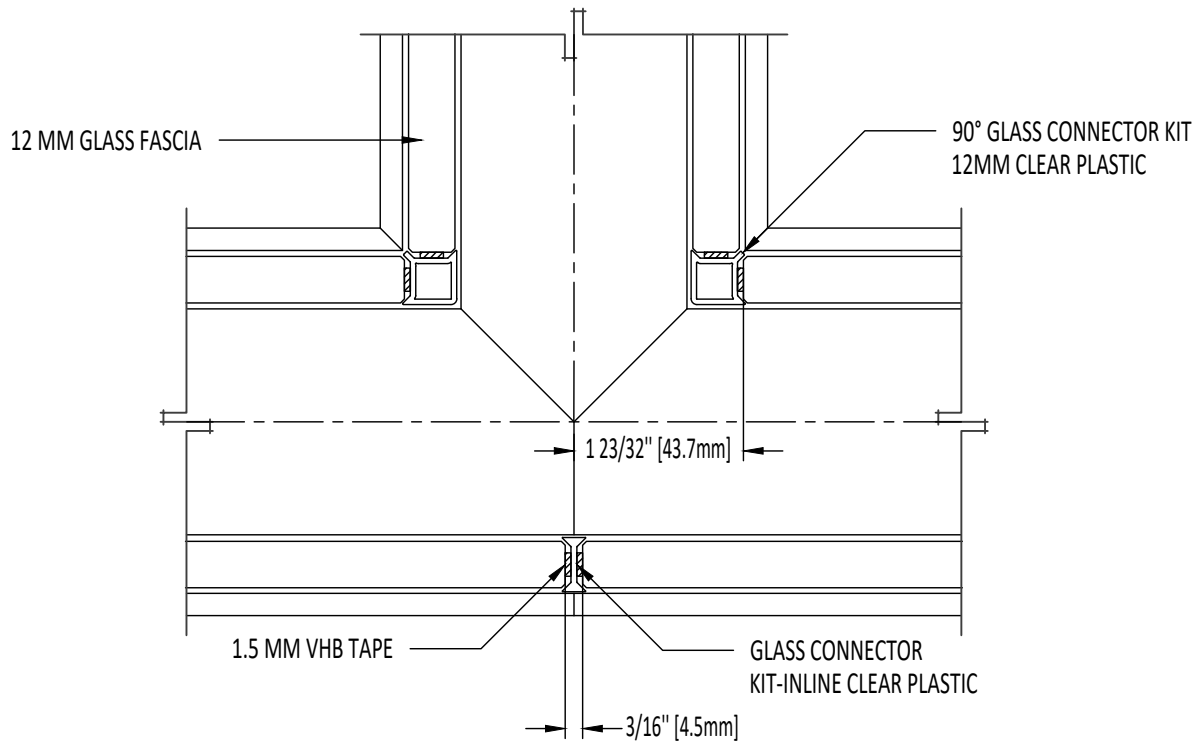
① 90° GLASS CONNECTOR KIT - 10 MM



② 90° GLASS CONNECTOR KIT - 12 MM



① 90° GLASS CONNECTOR KIT & GLASS CONNECTOR KIT-INLINE CLEAR PLASTIC - 10 MM



② 90° GLASS CONNECTOR KIT & GLASS CONNECTOR KIT-INLINE CLEAR PLASTIC - 12 MM

GLASS FASCIAS & CONNECTORS

6"=1'-0"

FOCUS DETAIL DRAWING PACKAGE

JUN 24, 2024

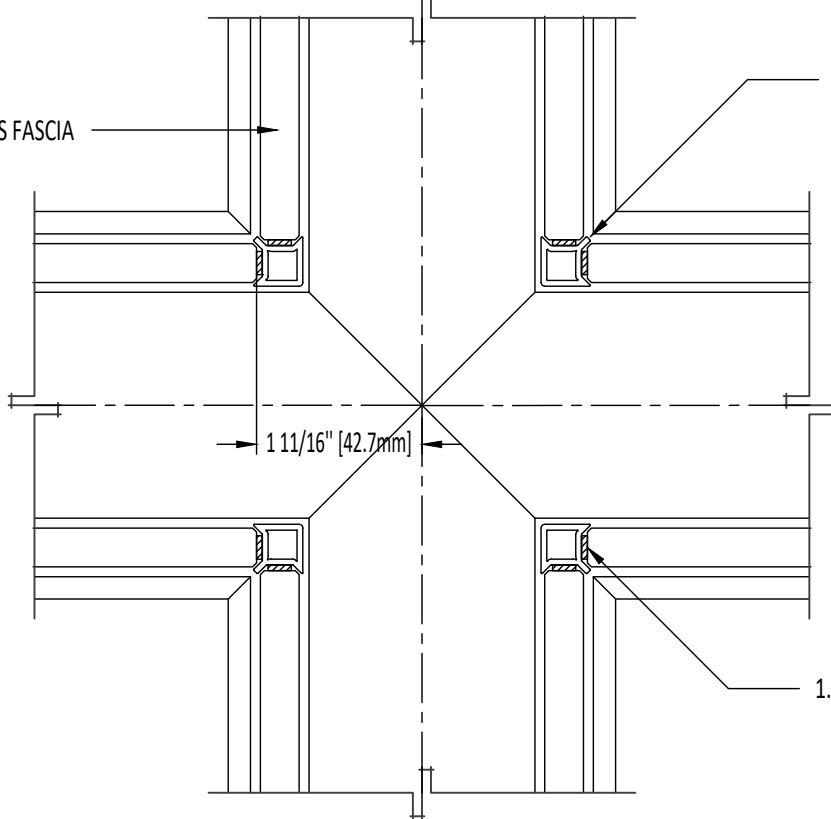
Rev 06

E-09

This drawing is the property of Teknion Limited and is subject to return upon demand. It must not be copied or reproduced in any manner, nor submitted to any outside parties for examination without Teknion consent. This drawing must not be scaled, or used for construction purposes.

10 MM GLASS FASCIA

90° GLASS
CONNECTOR KIT
10 MM CLEAR PLASTIC



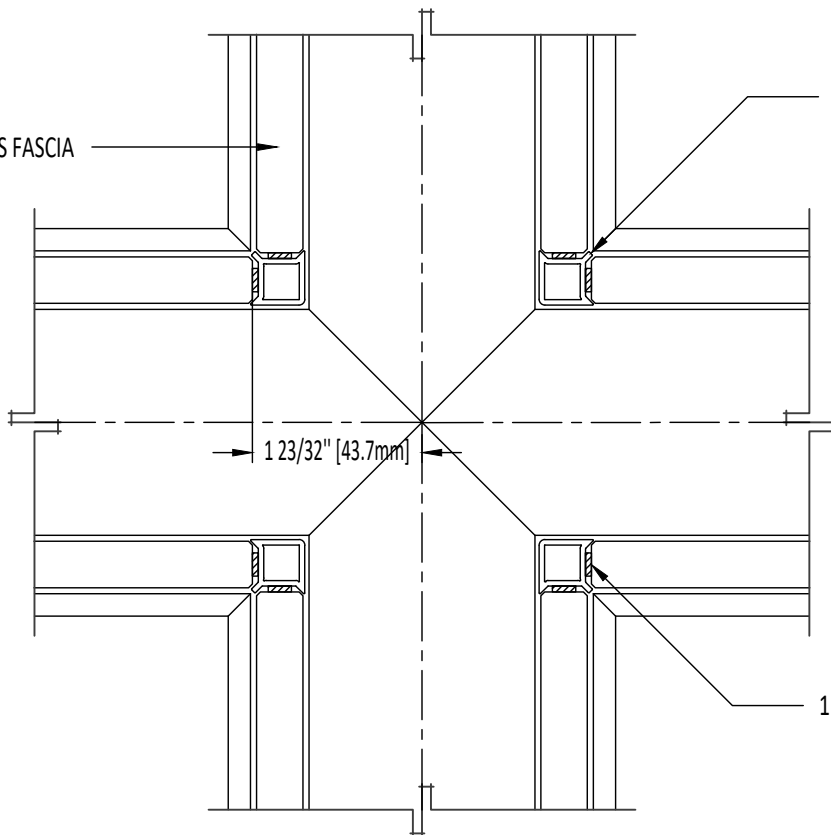
1 11/16" [42.7mm]

1.5 MM VHB TAPE

① 90° GLASS CONNECTOR KIT - 10 MM

12 MM GLASS FASCIA

90° GLASS
CONNECTOR KIT
12 MM CLEAR PLASTIC

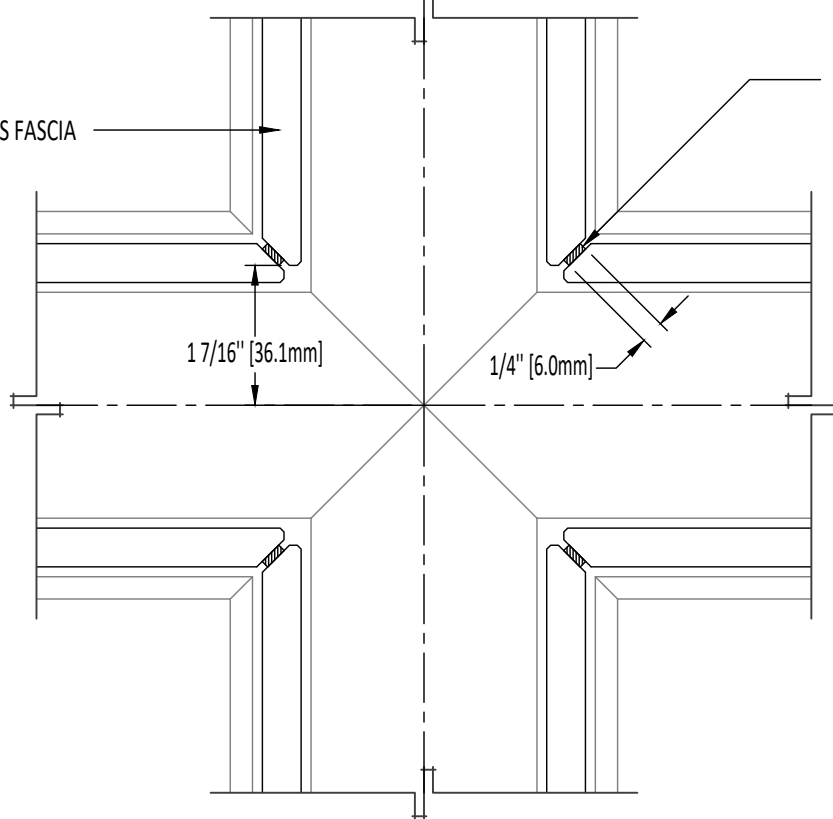


1 23/32" [43.7mm]

1.5 MM VHB TAPE

② 90° GLASS CONNECTOR KIT - 12 MM

10 MM GLASS FASCIA



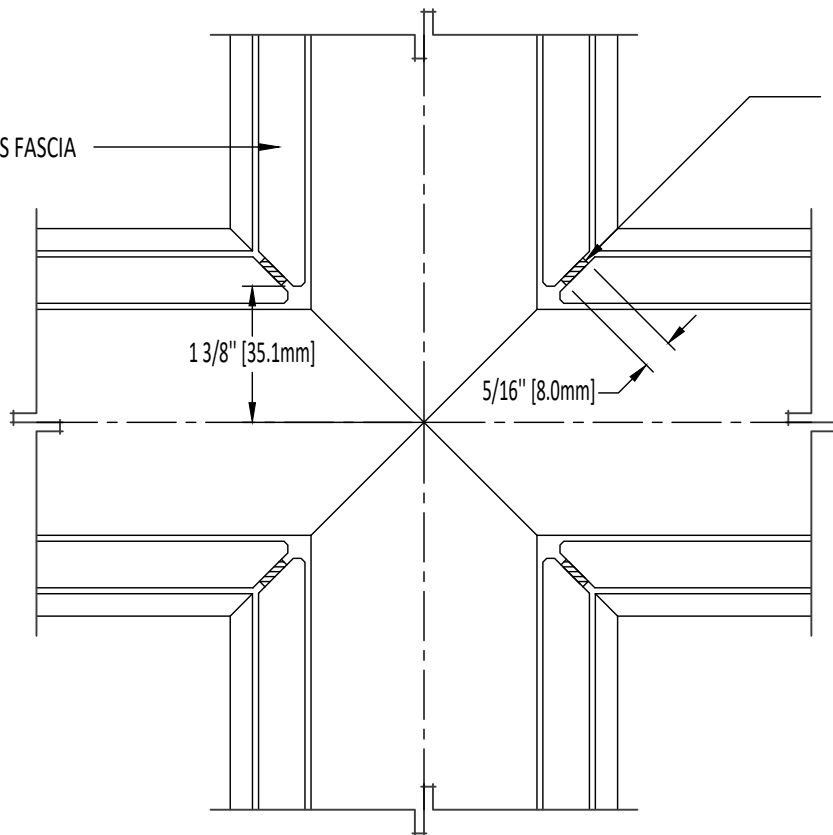
90° GLASS
CONNECTOR KIT
2MM VHB TAPE

17/16" [36.1mm]

1/4" [6.0mm]

① 90° GLASS CONNECTOR KIT - 10 MM

12 MM GLASS FASCIA

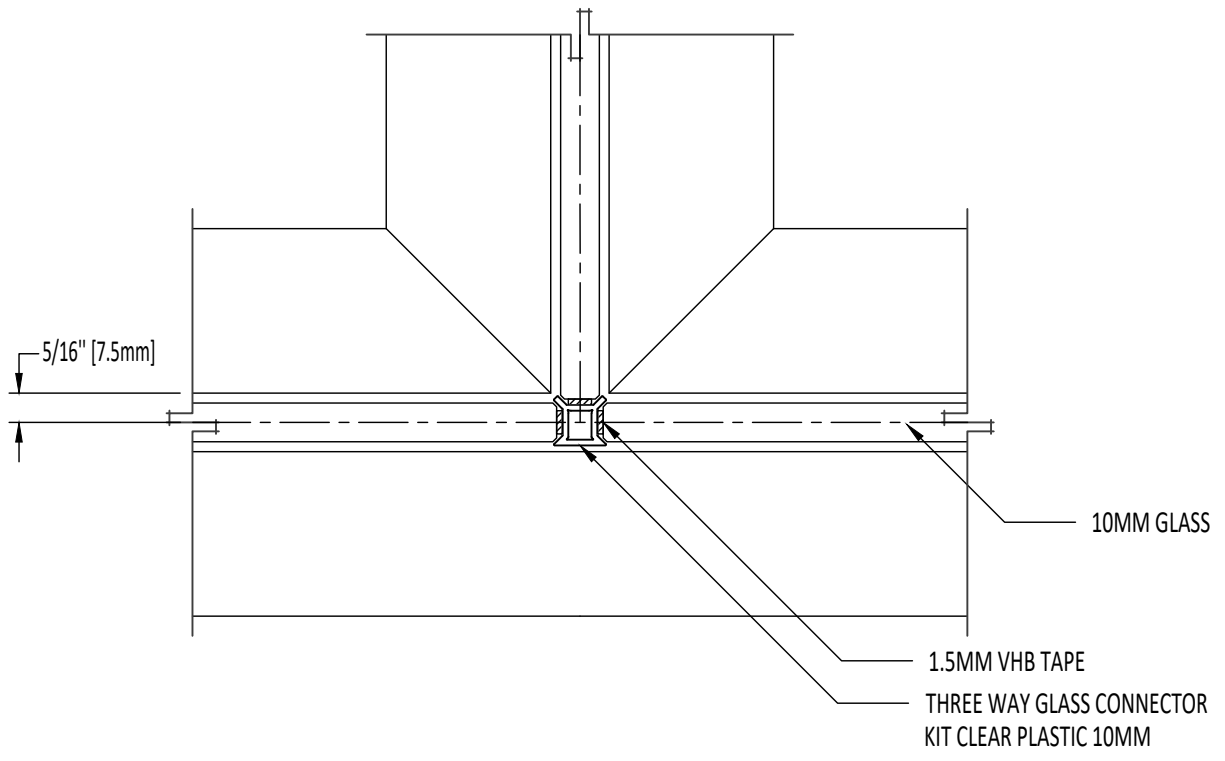


90° GLASS
CONNECTOR KIT
2MM VHB TAPE

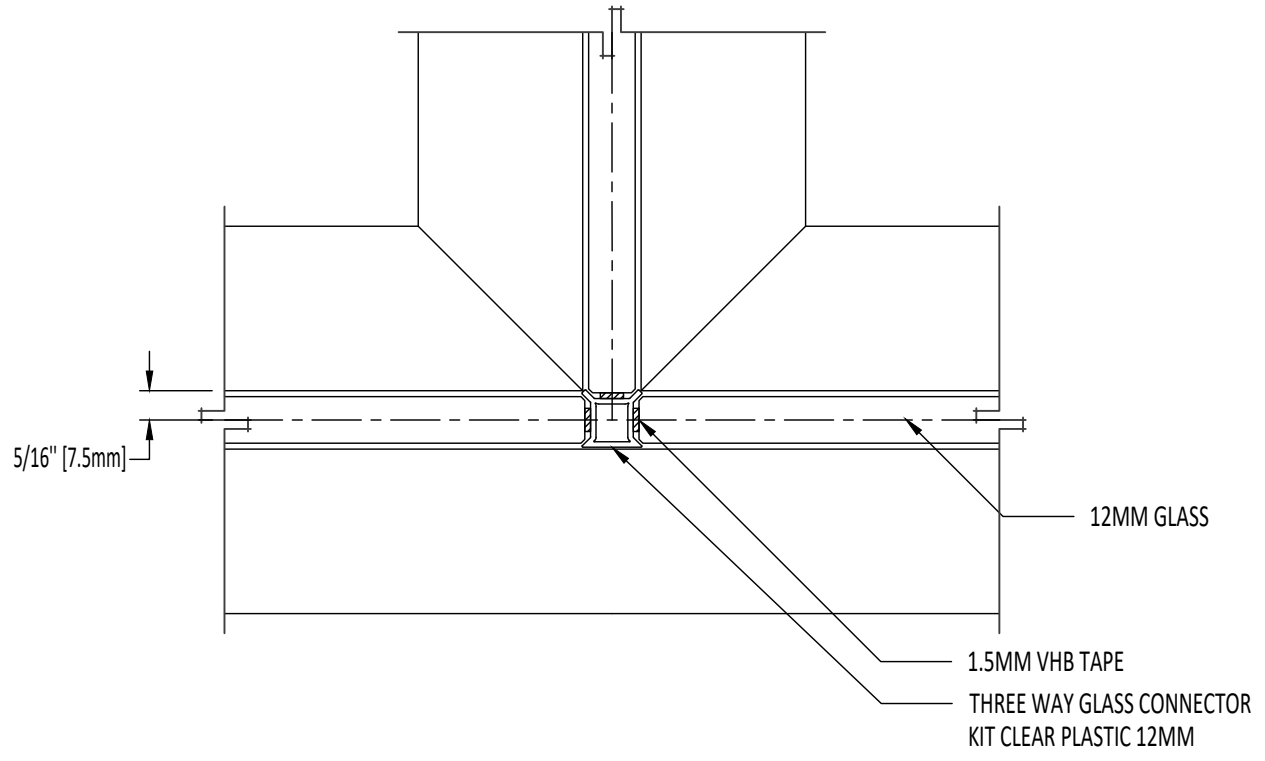
13/8" [35.1mm]

5/16" [8.0mm]

② 90° GLASS CONNECTOR KIT - 12 MM



① THREE WAY CONNECTOR KIT - 10MM PLASTIC



② THREE WAY CONNECTOR KIT - 12MM PLASTIC

GLASS FASCIAS & CONNECTORS

6"=1'-0"

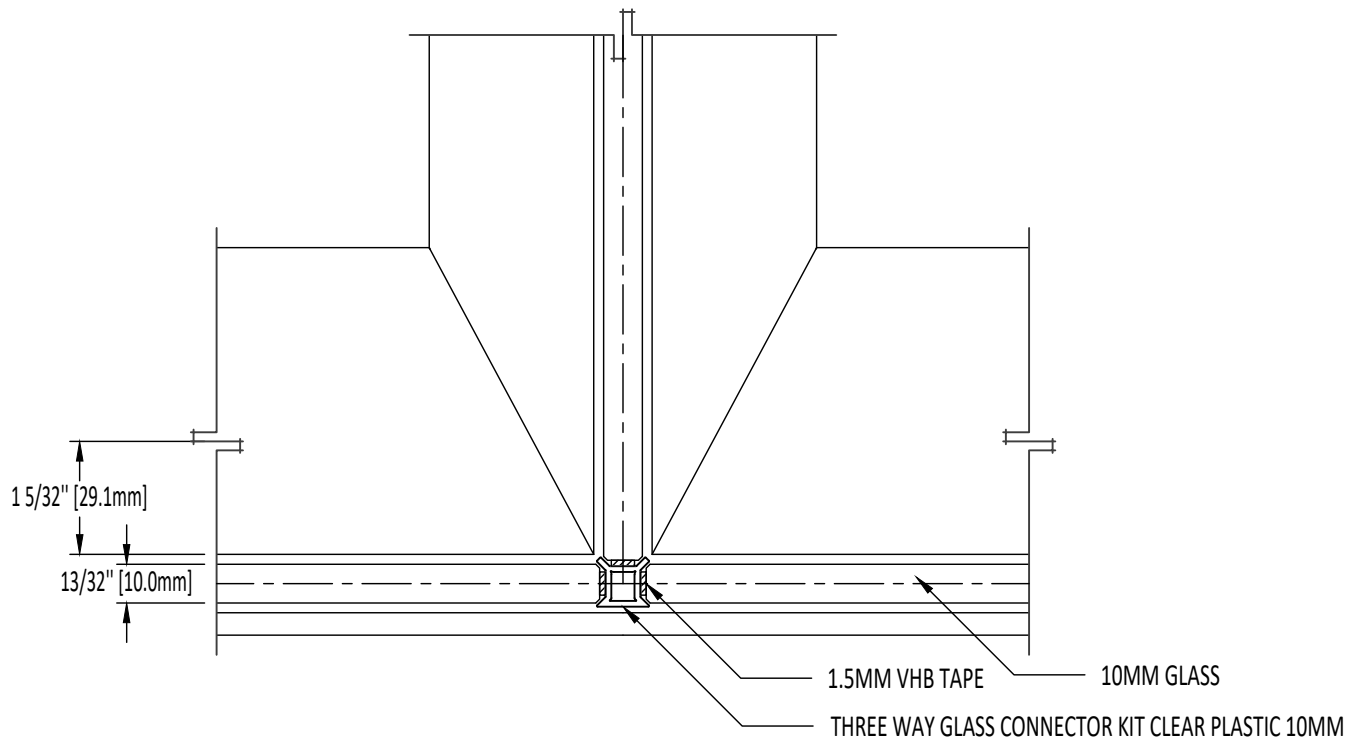
FOCUS DETAIL DRAWING PACKAGE

JUN 24, 2024

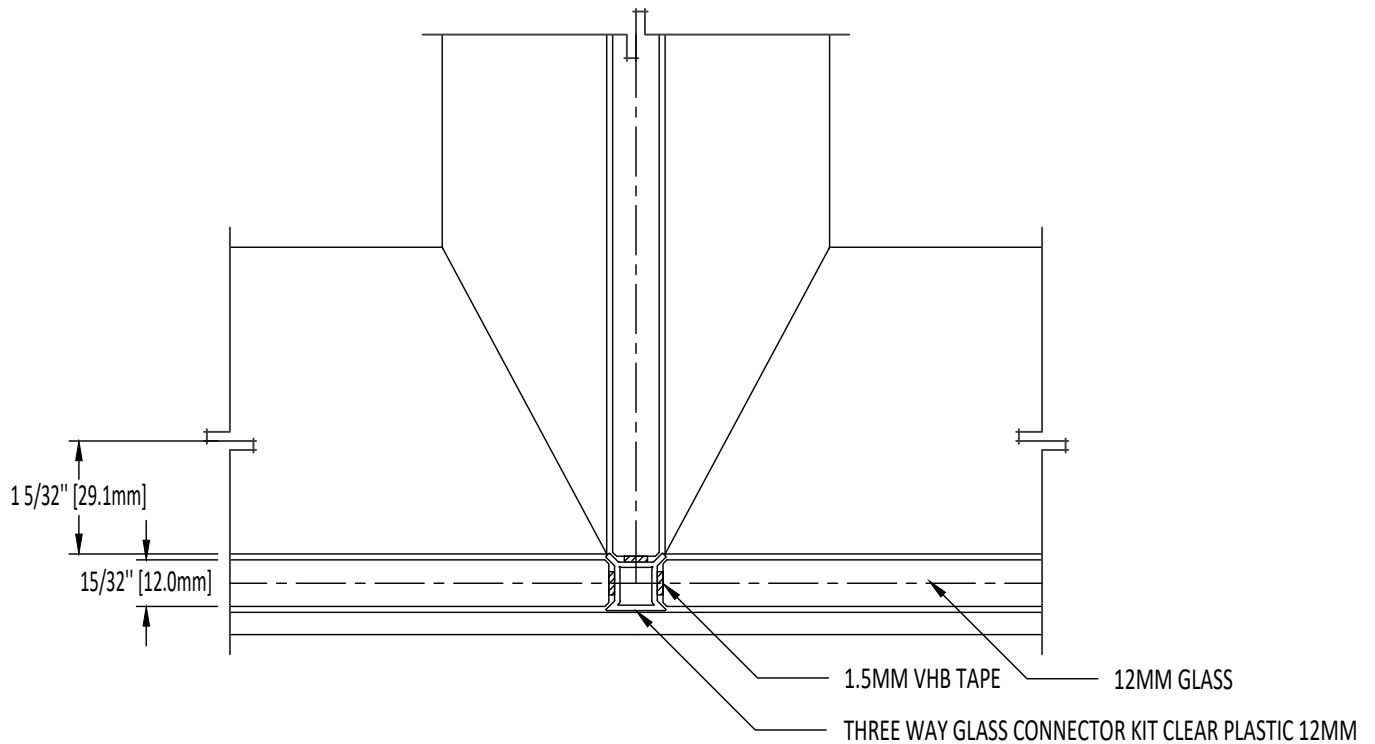
Rev 06

E-12

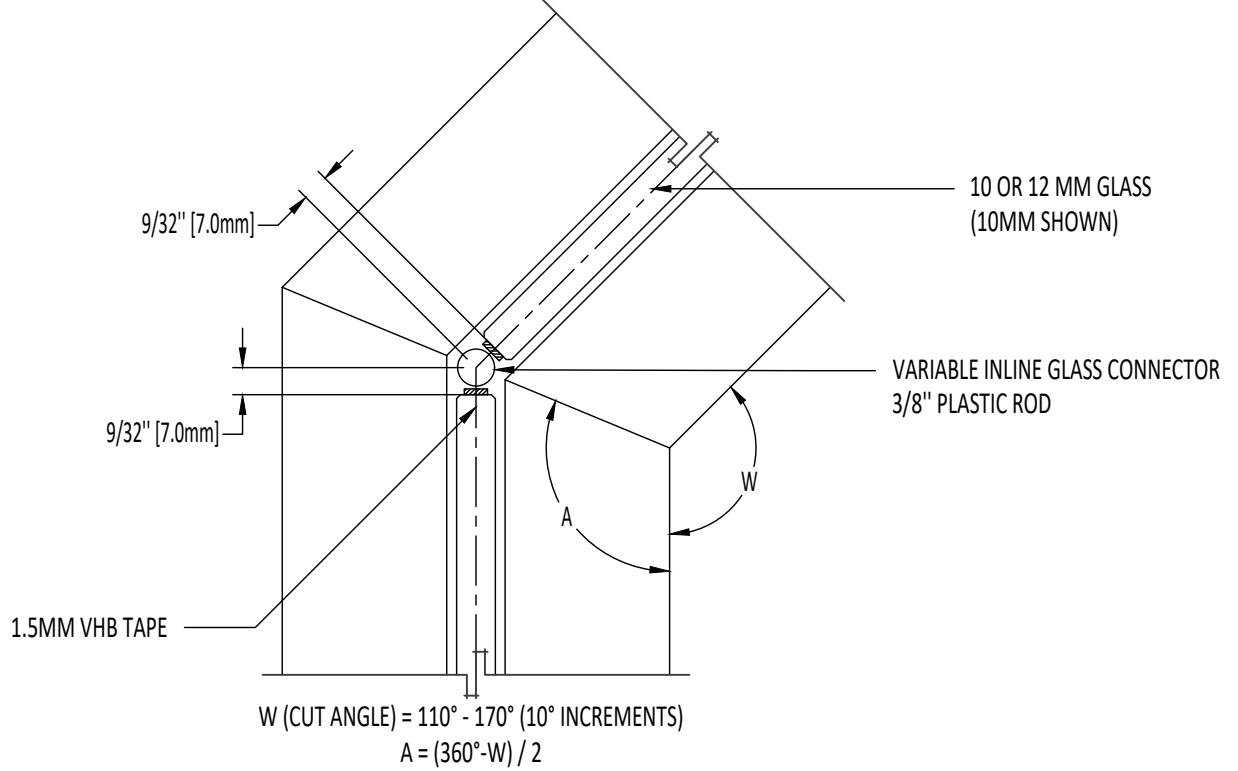
This drawing is the property of Teknion Limited and is subject to return upon demand. It must not be copied or reproduced in any manner, nor submitted to any outside parties for examination without Teknion consent. This drawing must not be scaled, or used for construction purposes.



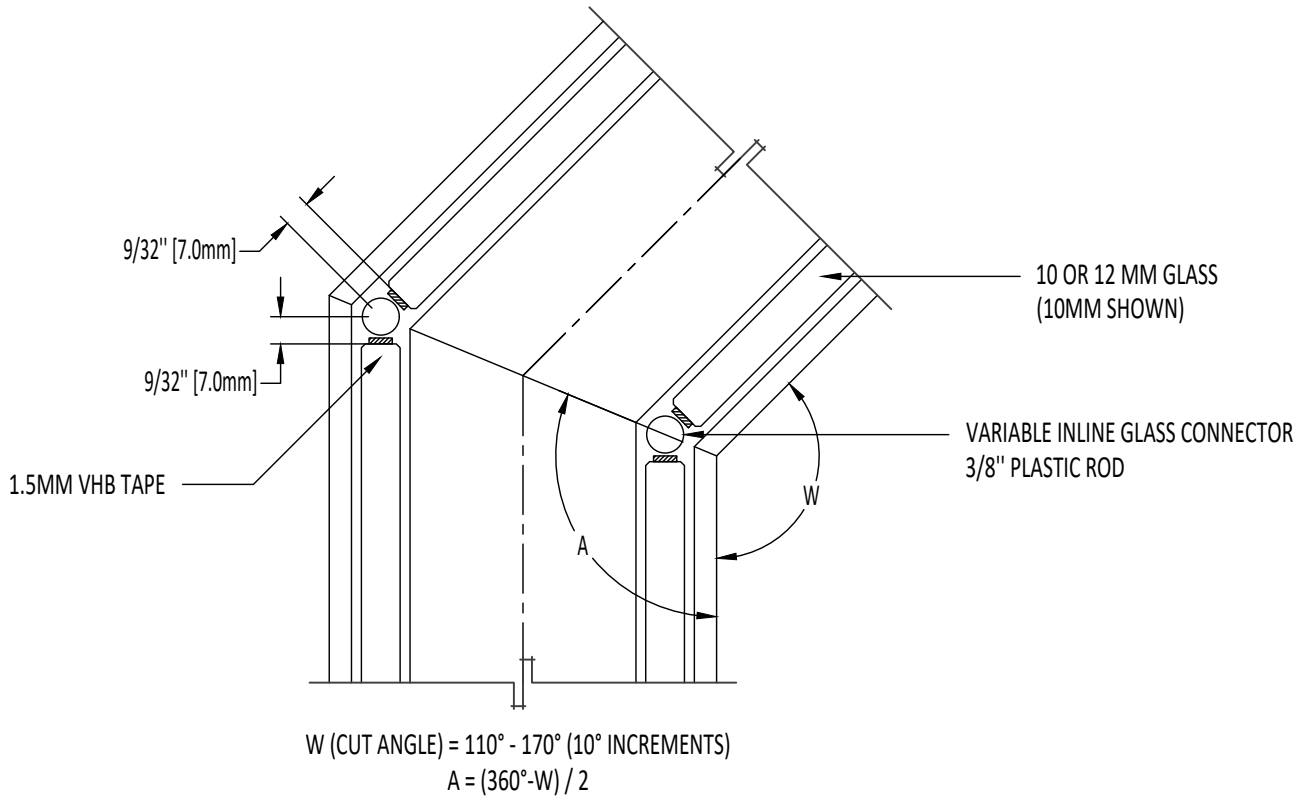
① OFFSET GLASS THREE WAY CORNER CONNECTION WITH CENTERED GLASS - 10MM PLASTIC



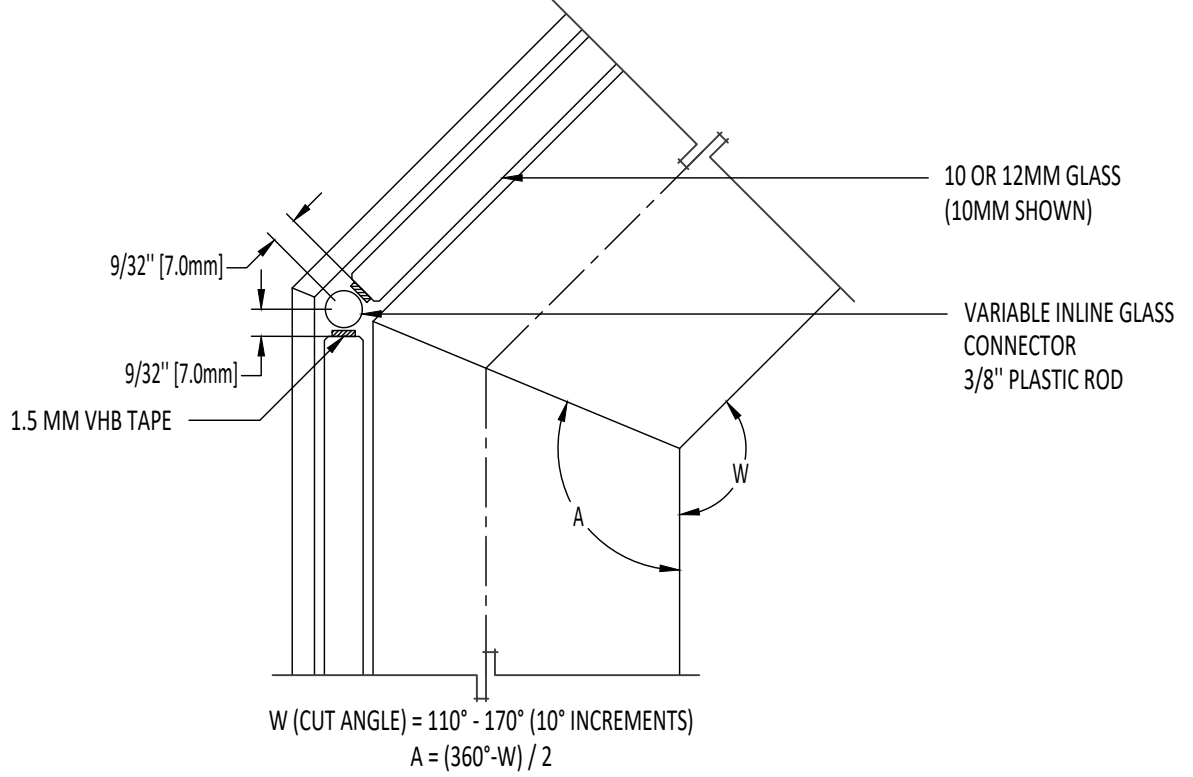
② OFFSET GLASS THREE WAY CORNER CONNECTION WITH CENTERED GLASS - 12MM PLASTIC



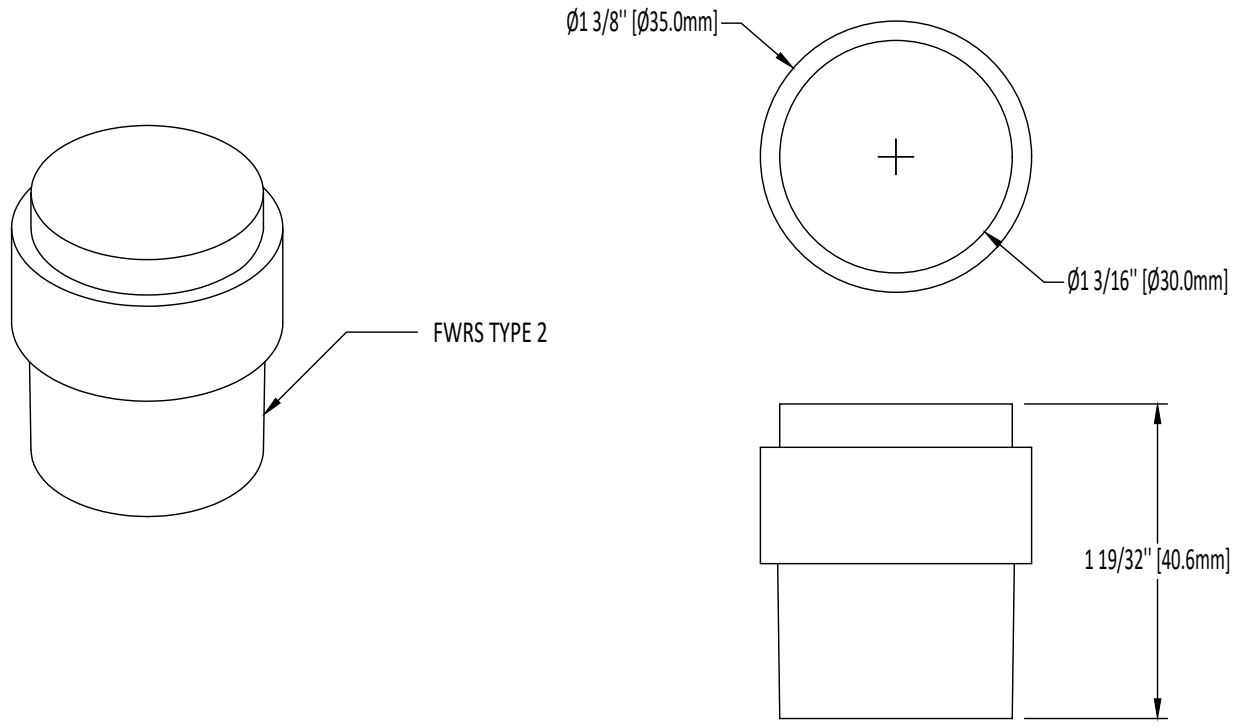
① VARIABLE ANGLE CLEAR PLASTIC GLASS CONNECTOR (CENTERED GLASS)



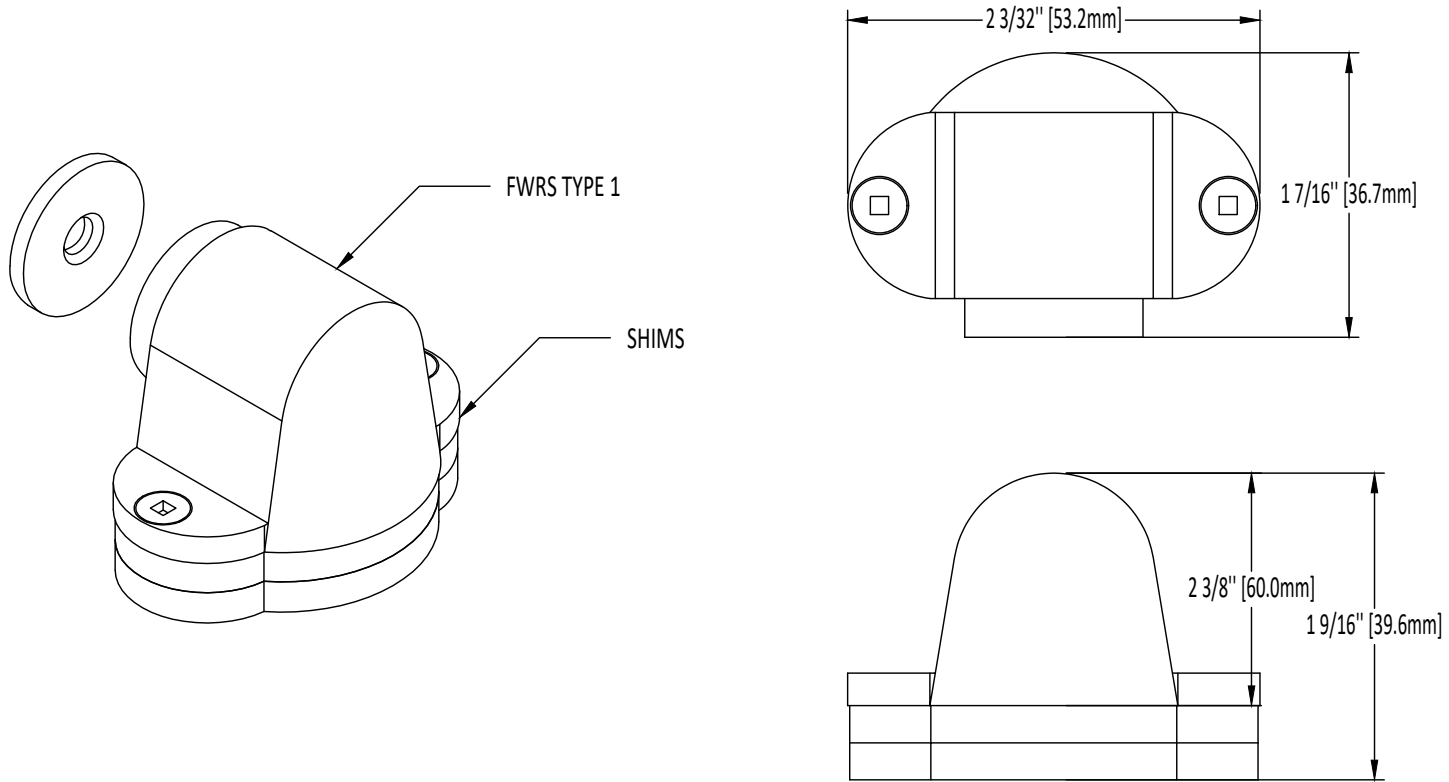
② VARIABLE ANGLE CLEAR PLASTIC GLASS CONNECTOR (DOUBLE GLASS)



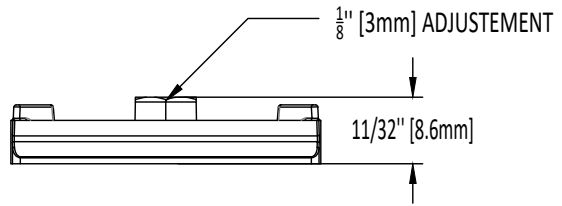
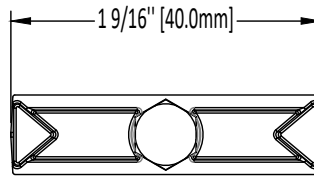
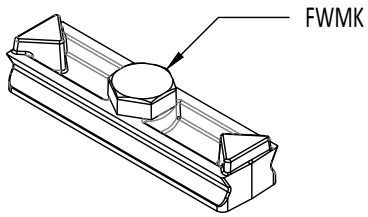
① VARIABLE ANGLE CLEAR PLASTIC GLASS CONNECTOR (OFFSET GLASS)



① FWRS - CIRCULAR DOOR STOP ISOMETRIC VIEW



② FWRS - MAGNETIC DOOR STOP ISOMETRIC VIEW



① MICRO-LEVELER KIT

REVISION	DESCRIPTION	MADE BY	DATE
R00	INITIAL RELEASE	GL	SEPT. 2016
R01	EL01 UPDATED CLERESTORY SECTION, EL02 UPDATED TO INTO UPDATED A05 SECTION NEW 3 WAY CONNECTOR E18-->E21 NEW SLIDING DOOR INFINITE FRAME UPDATED B03, B07, B08 UPDATED TRANSITIONS D08, D12 ADDED FOCUS TO ALTOS TRANSITION D15	EW	JUN. 2019
R02	1. FWWE, FWEP, FWTE, FWTIE, FWTDGO, FWTDS, FWTDGS, FWIA, RLCNA, FWCA, FWCT ARE DELISTED FROM THE PACKAGE. 2. DRAWING PAGE NO. CHANGED AS FOLLOW: C10-->C07, C11-->C08, D08-->D01, D09-->D02, D10-->D03 D11-->D04, D12-->D05, D13-->D06, D14-->D07, D15-->D08 E03-->E02, E04-->E03, E05-->E04, E06-->E05, E07-->E06 E08-->E07, E09-->E08, E10-->E09, E11-->E10, E12-->E11 E13-->E12, E14-->E13, E15-->E14, E16-->E15, E17-->E16 E18-->E17, E19-->E18, E20-->E19, E21-->E20	RL	MAY. 2020
R03	ADDED ELEVATION AND CROSS SECTION FOR DOUBLE SLIDING & ARTICULATING WALL START & DOOR START EL-02, B01, B02, B05, B07-->B12, C09-->C11	FL	MAY. 2022
R04	RE-ENGINEERING NEW RELEASE	FL	FEB. 2023
R05	DRAWING PAGE NO. CHANGED AS FOLLOW: B01-->B12, E14,E15	FL	JAN. 2024
R06	DRAWING PAGE NO. CHANGED AS FOLLOW: B03, B04, B06 ADDED PAGES B13, B14	FL	May. 2024

REVISION HISTORY

N.T.S.

FOCUS DETAIL DRAWING PACKAGE

JUN 24, 2024

Rev 06

RH