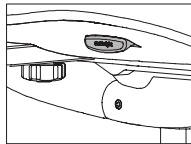
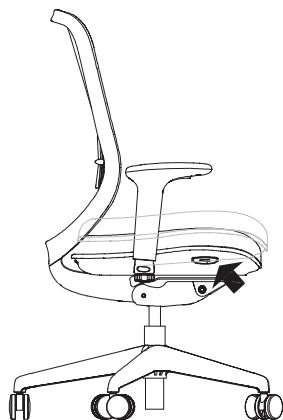


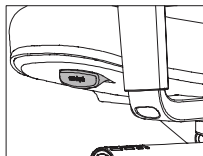
SEAT HEIGHT ADJUSTMENT



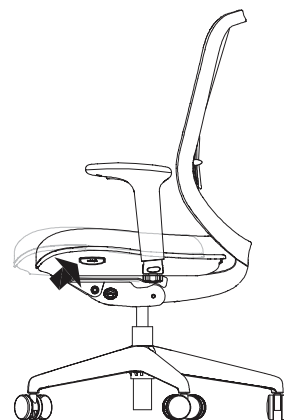
Seat height can be adjusted by pulling outward on the button below the seat on the right hand side. When this button pulled, the weight of the body will cause the seat to lower, and releasing it stops the seat at the desired height. Pulling outward on the button with no weight on the seat allows it to rise.



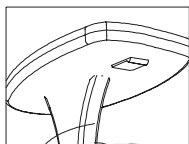
SEAT DEPTH ADJUSTMENT



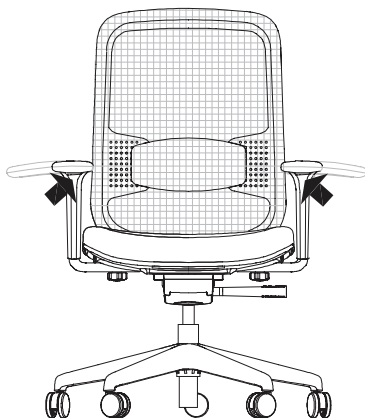
To adjust the seat depth, pull outward on the button below the seat on the left-hand side and simultaneously lift your weight from the seat while sliding the seat forward or backward. Release button to lock the seat in place.



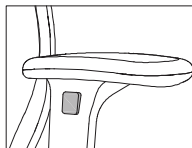
3D ARM PIVOT ADJUSTMENT



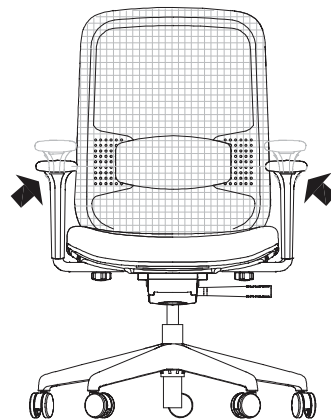
To pivot the arm cap, depress the auto safety lock button on the outside of the armrest and pivot 180° degrees to desired position. Release the button to lock in place.



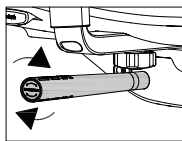
ARM HEIGHT ADJUSTMENT



To adjust the arm height, press the button below either arm rest to raise or lower it to the desired position. Release the button to lock in place.



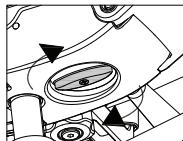
BACK TILT ADJUSTMENT



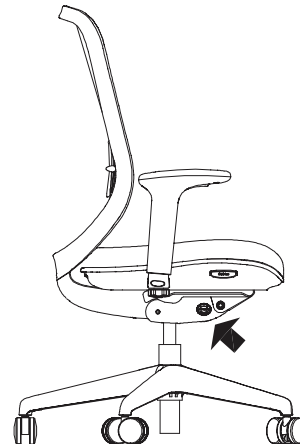
Turning the grip found under the left side of the seat limits the back tilt travel and locks the back. Travel is limited on 3 positions with back lock in the upright position.



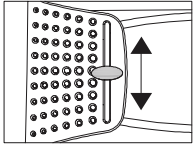
TILT TENSION ADJUSTMENT



Fine tune the weight balanced tension by rotating the dial located below the seat centre to suit personal preference.



LUMBAR HEIGHT-ADJUSTMENT

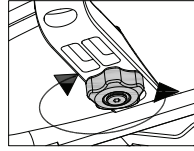


The lumbar height-adjustment knobs can be found on the back where the Inner Frame connects to the Lumbar Element.

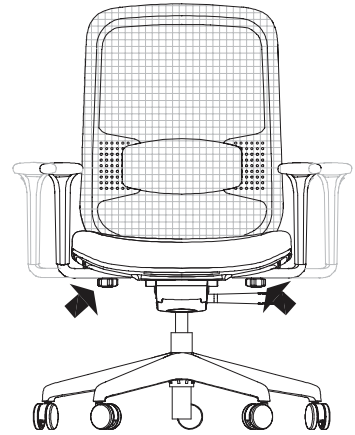
The height of the lumbar support can be adjusted by sliding them up and down.



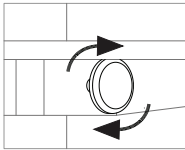
ARM WIDTH ADJUSTMENT



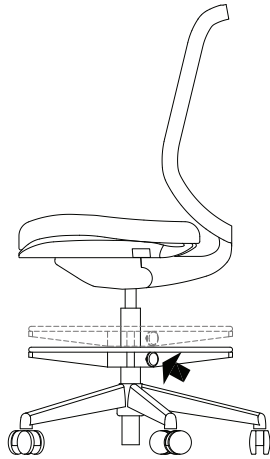
To adjust the width of each arm, turn the dial clockwise to release the arm lock. Slide the arm inward or outward to the desired position. Tighten the knob to lock the arm in place.



STOOL FOOT RING HEIGHT



To raise or lower the stool's foot ring, turn the foot ring's knob counter clockwise to release the foot ring and adjust the ring until you reach the desired level. Turn the knob clockwise to lock in place.



⚠ Warning

Tipping or collapsing can result in serious injury. To prevent product failure and possible injury:

- This chair has been designed and tested for users weighing up to 300 lbs
- Frequently inspect the chair for visible cracks and damages, tighten all screws, bolts, adjustable knobs and parts
- Do not use the chair if damaged or unstable – immediately remove it from service
- This chair is equipped with casters intended for use on carpeted surfaces. Use of these casters on hard surfaces could result in unexpected rolling and tipping. Casters designed for use on hard surfaces are available. If in doubt, see your dealer for appropriate selection
- Do not stand on or use the chair as a step ladder
- Failure to follow these warnings could result in serious injury