

teknion belize



teknion

In both concept and function, Belize™ marks an innovative departure from conventional seating, offering versatility for a number of applications in the office or commercial settings. Scaled to make efficient use of space, Belize is equipped with a variety of features and options to enhance function and aesthetics.

Belize provides comfortable seating for guests in public areas such as reception and airport lounges/business centers, providing a surface for writing and work tools. Belize also meets the needs of educational facilities where mixed plans include collaborative settings and learning centers where work patterns and groups shift and evolve. For quiet zones, Belize provides a touchdown space for focused, individual work.







upholstery  
Merus, Root

tablet  
Foundation Laminate,  
Storm White



features

features

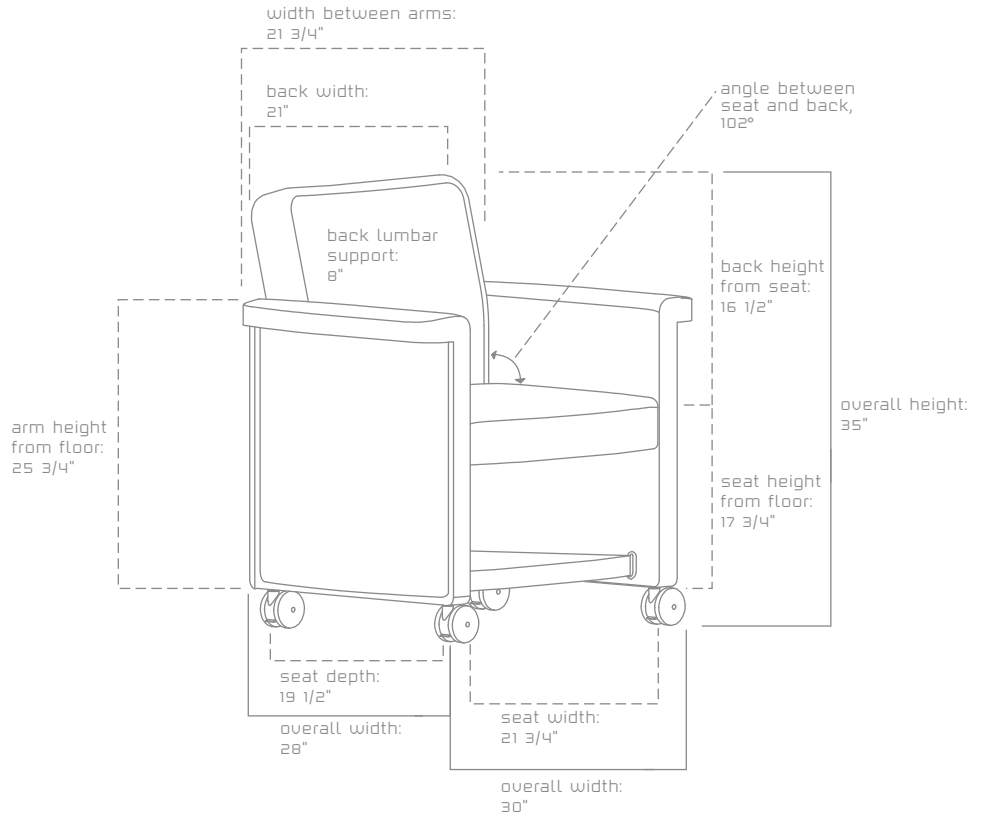
- Storage shelf beneath the seat stores personal items
- Optional swivel work tablet with pen/pencil holder provides a working surface
- Cup holder with soft, non-slip surface accommodates various cup sizes
- In addition to casters, an unobtrusive handle in the chair back offers easy mobility

finishes

- Side panels are available in Foundation Laminate, perforated metal or upholstered in fabric or leather
- The work tablet is available with a Foundation Laminate or metal surface within a brushed aluminum frame



side panel options  
 Left to right: *upholstered, Foundation Laminate, perforated*



www.teknion.com

IN CANADA  
 1150 Flint Road  
 Toronto, Ontario  
 M3J 2J5 Canada  
 Tel 866.teknion  
 866.835.6466

IN THE USA  
 350 Fellowship Road  
 Mt Laurel, New Jersey  
 08054 USA  
 Tel 877.teknion  
 877.835.6466

OTHER OFFICES LOCATED IN  
 Europe, South and Central America,  
 Middle East, Asia and Russia  
 For regional contact information  
 go to www.teknion.com

CAN/US/INT 10-17  
 ©Teknion 2017  
 ®, ™ trade marks of Teknion  
 Corporation and/or its subsidiaries or  
 licensed to it. Patents may be pending.

