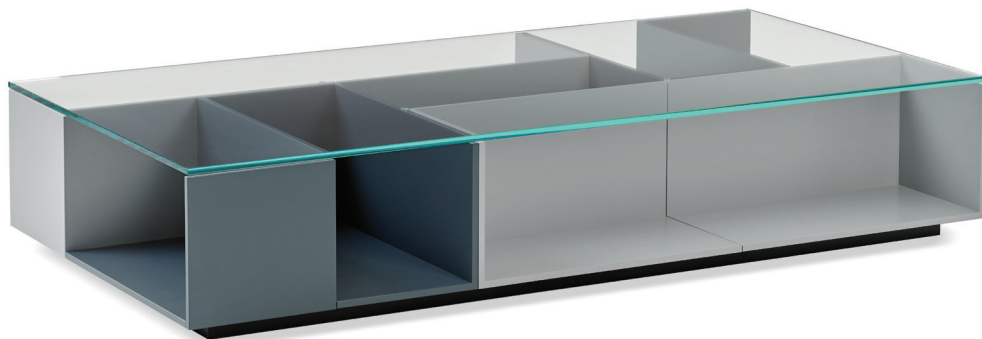


# masalla tables



# masalla tables

---

## Collection

Masalla™, a collection of occasional tables, is based on the concept of flexibility. With simple modules, users can create an almost unlimited number of personalized configurations, from minimalistic and monochrome to more colorful compositions.

### Designer

Toan Nguyen

### Typology

Occasional Tables

### Collection

Studio TK

### Year

2015



---

## Dimensions

### Fabrics & Finishes

#### Upholstery

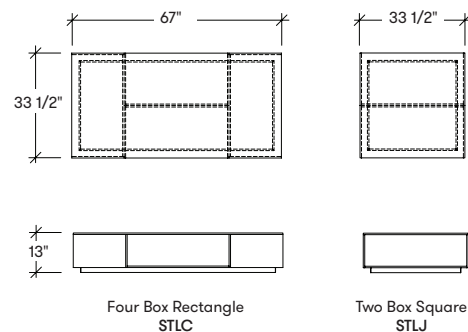
Fabrics available from the  
Teknion Textiles collection; COM/COL

#### Paint finish

True White, Anthracite, Cool Gray, Smoke,  
Violet, Midnight Blue or Avocado

#### Table surface finish

Paint, Clear Glass or Soft-etched Glass



---

### Studio TK

3940 US 70 Business Hwy, West  
Clayton, North Carolina 27520, USA  
Tel: 855.941.0262 / Fax: 919.464.2927  
[www.studiotk.com](http://www.studiotk.com)

©, ™ Trademarks of teknion corporation and/or its subsidiaries or licensed to it.  
Patents may be pending. Some products may not be available in all markets.

Contact your local Studio TK representative for availability.

CAN/US/INT 05-16 © Teknion 2016 Printed in Canada SS-095-0033EN