

pai



studio T<

pai

Collection

The Pai™ family of lounge seating features a compact concept and reduced size. Designed by Mario Ruiz, Pai features a subtle architectural aesthetic with a thin geometry. The seating program's modularity intentionally creates planes and surfaces composed of different parts, allowing a range of configuration styles and fabric combinations in both palette and material.

Designer

Mario Ruiz

Typology

Lounge Seating

Collection

Studio TK

Year

2014



Dimensions

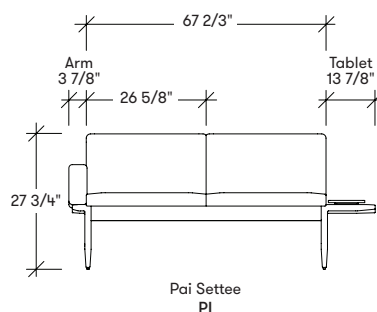
Fabrics & Finishes

Upholstery

Fabrics are available from Luum; COM/COL

Foot finish

Chrome



Studio TK

3940 US 70 Business Hwy, West
Clayton, North Carolina 27520, USA
Tel: 855.941.0262 / Fax: 919.464.2927
www.studiotk.com

©, ™ Trademarks of teknon corporation and/or its subsidiaries or licensed to it.
Patents may be pending. Some products may not be available in all markets.

Contact your local Studio TK representative for availability.

CAN/US/INT 05-16 © Teknon 2016 Printed in Canada