

iuta



studio T

# iuta

## product information

---

Designed by Antonio Citterio and part of the B&B Italia Project Collection, iuta features a mesh shell with fluid contours that create a fresh look in contemporary seating. A height-adjustable five-star base alternative makes it an ideal task chair for offices.

**Designer**  
Antonio Citterio

**Collection**  
B&B Italia Project

**Typology**  
Chairs



**Year**  
2012

### Collection




---

## Fabrics & Finishes

### Upholstery

Fabrics available from Luum; COM/COL

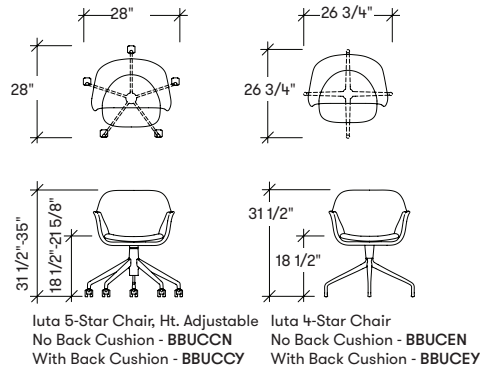
### Shell finish

Pressed Grey Painted Steel Mesh

### Frame finish

Polished Aluminum

### Dimensions



### Studio TK

3940 US 70 Business Hwy, West  
Clayton, North Carolina 27520, USA  
Tel: 855.941.0262 / Fax: 919.464.2927  
www.studiotk.com

©, TM Trademarks of teknion corporation and/or its subsidiaries or licensed to it. Patents may be pending. Some products may not be available in all markets. Contact your local Studio TK representative for availability.  
CAN/US/INT 07-15 © Teknion 2017 Printed in Canada SS-095-0056EN