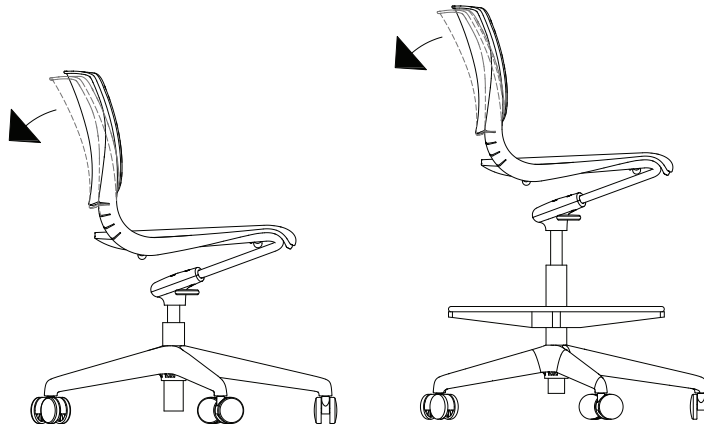


# teknion variable adjustment features & instructions

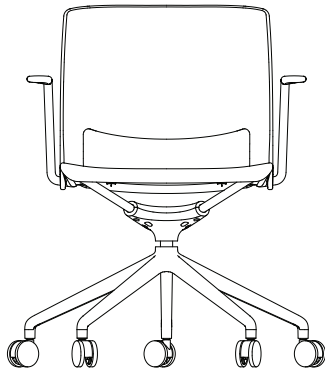
## TILT ADJUSTMENT

Actively recline in all Variable Chairs and return to an upright position with the patented Variable integrated hinged back-tilt. Amount of flex varies dependent on user.

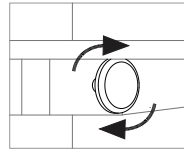


## SWIVEL MECHANISM

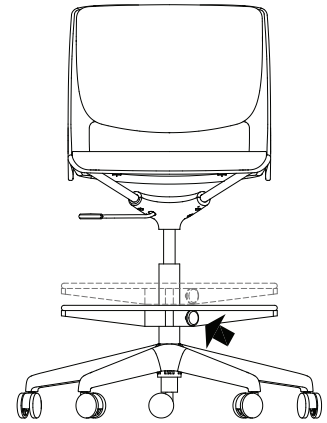
The Swivel Multi-Use Work Chair, Swivel Multi-Use Stool and Conference Chair freely swivel 360°.



## FOOTRING HEIGHT ADJUSTMENT

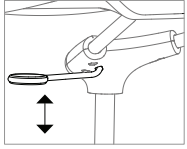


To raise or lower the footring on the Swivel Stool, turn the footring's knob counter-clockwise to release the footring and adjust the ring until you reach the desired level. Turn the knob clockwise to lock in place.

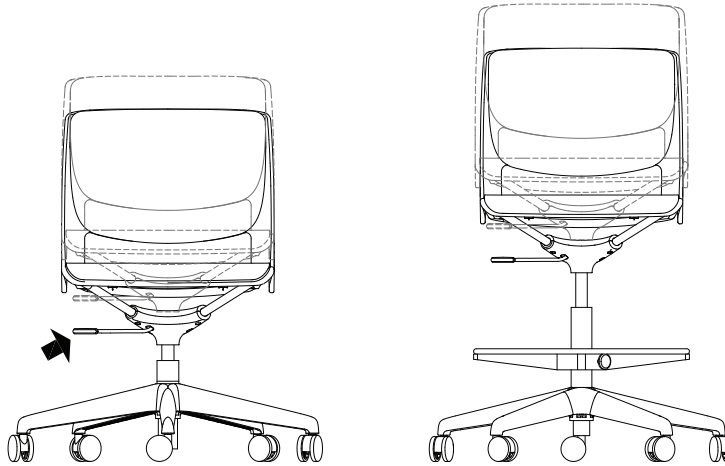


# teknion variable adjustment features & instructions

## SEAT HEIGHT ADJUSTMENT



While in the seated position in the Swivel Multi-Use Chair or Stool, pull-up the paddle located below the chair on the right-hand side to lower the chair to the desired position. Depress the paddle. Transfer your weight to your feet and pull-up the paddle to raise the chair height. Depress the paddle.



### **Warning**

Tipping or collapsing can result in serious injury. To prevent product failure and possible injury:

- This chair has been designed and tested for users weighing up to 300 lbs
- Frequently inspect the chair for visible cracks and damages, tighten all screws, bolts, adjustable knobs and parts
- Do not use the chair if damaged or unstable – immediately remove it from service
- This chair is equipped with casters intended for use on carpeted surfaces. Use of these casters on hard surfaces could result in unexpected rolling and tipping. Casters designed for use on hard surfaces are available. If in doubt, see your dealer for appropriate selection
- Do not stand on or use the chair as a step ladder
- Failure to follow these warnings could result in serious injury