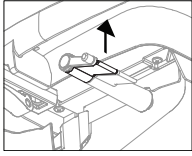
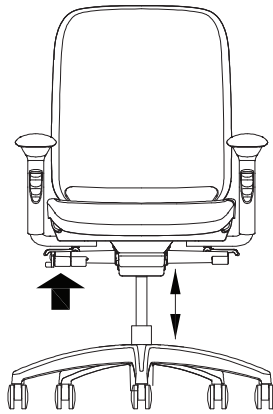


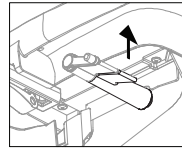
SEAT HEIGHT ADJUSTMENT



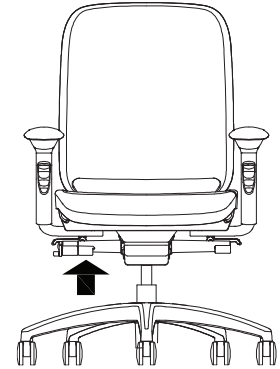
To raise the chair, lift the lever up while lifting your weight from the seat until you reach the desired level, then release to lock in place. To lower the chair, lift the lever up and allow your weight to push the seat down until you reach the desired level, then release to lock in place.



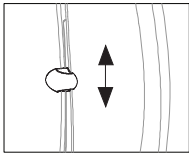
SEAT DEPTH ADJUSTMENT



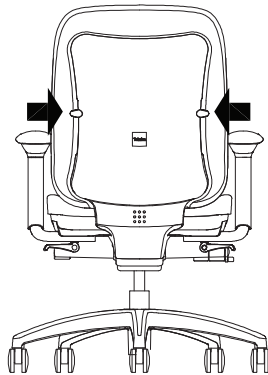
To adjust the seat depth, push the lever down and simultaneously lift your weight from the seat while sliding the seat forward or backward. Release the lever to lock the seat in place. Not available on Amicus General Use Chairs.



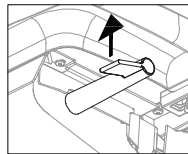
LUMBAR HEIGHT ADJUSTMENT



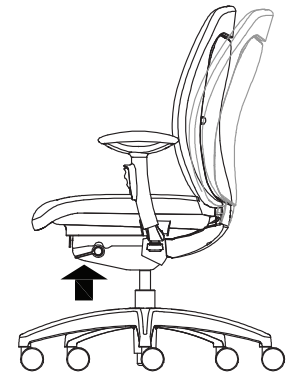
To adjust the lumbar height, grasp both levers and slide them up or down to the desired position. Not available on Amicus General Use Chairs.



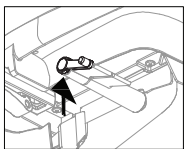
BACK TILT LOCK ADJUSTMENT



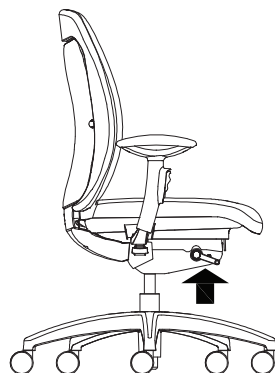
To adjust the angle of reclination, pull the lever up to unlock the back and leave the chair in free-flow mode. Recline to the desired position and push the lever down to lock the back in place.



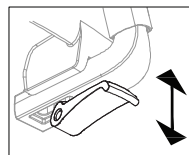
TILT TENSION ADJUSTMENT



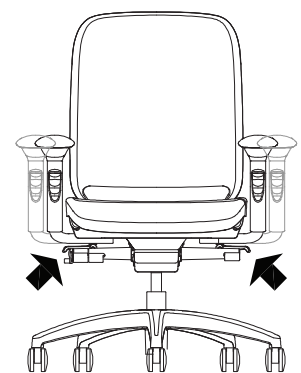
Leaning back, determine if the resistance of the chair is comfortable. For less resistance, pull tension adjustment lever out and turn it counterclockwise. For greater resistance, turn the lever clockwise.



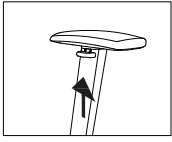
ARM WIDTH ADJUSTMENT



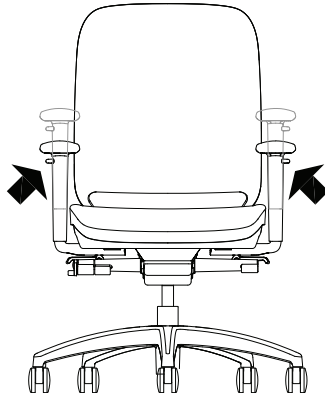
To adjust the width of each arm, push the lever down to release the arm lock. Slide the arm inward or outward to the desired position. Push the lever up to lock the arm in place.



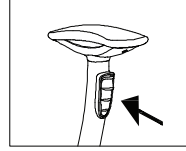
2D ARM HEIGHT ADJUSTMENT



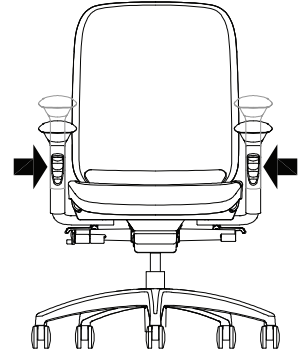
To adjust the arm height, lift the button under the arm cap to raise or lower it to the desired position. Release the button to lock in place.



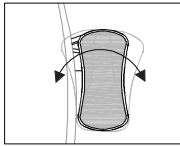
3D ARM ADJUSTMENT



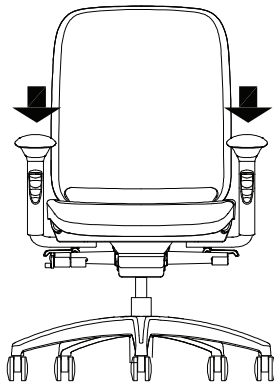
To adjust the arm height, press the top half of the button in and raise or lower it to the desired position. Release the button to lock in place.



3D ARM PIVOT ADJUSTMENT



To pivot the arm cap, grasp and rotate inward or outward to the desired position.



⚠ Warning

Tipping or collapsing can result in serious injury. To prevent product failure and possible injury:

- This chair has been designed and tested for users weighing up to 300 lbs
- Frequently inspect the chair for visible cracks and damages, tighten all screws, bolts, adjustable knobs and parts
- Do not use the chair if damaged or unstable – immediately remove it from service
- This chair is equipped with casters intended for use on carpeted surfaces. Use of these casters on hard surfaces could result in unexpected rolling and tipping. Casters designed for use on hard surfaces are available. If in doubt, see your dealer for appropriate selection
- Do not stand on or use the chair as a step ladder
- Failure to follow these warnings could result in serious injury